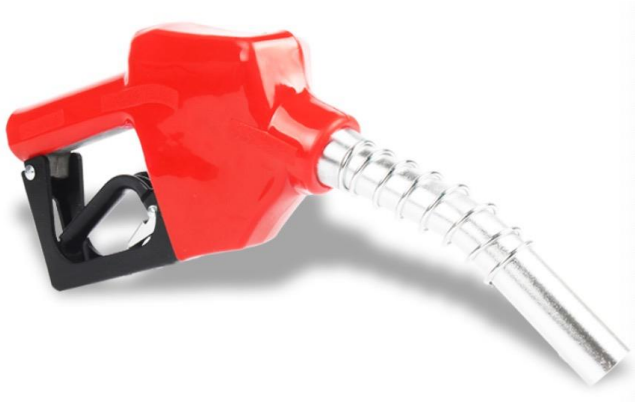


## Specifications of handing hardware

### 1. Automatic fuel nozzle



#### AISTAR 11A Series of Automatic Nozzle

##### product presentation:

AISTAR 11A series of automatic nozzles are designed for today's customers' demands. Small, trim, light weight, easy and convenient to operate, the AISTAR 11A is a rugged performer that offers long life and reliable service.

##### Materials:

Body: Aluminum

Seals: Buna-N, Won

Main stem seals: Viton Cased Oil Seal / Graphite with Teflon

Main stem: Stainless steel

##### Package:

Net Weight: 1.225kg/pc Gross

Weight: 1.5kg/pc

53.7x42.7x35.7 cm<sup>3</sup>/case of 15pc

37.5x34x43 cm<sup>3</sup>/case of 10pc

AISTAR 11A Flow rate:0-60L/m(15/16")

AISTAR 11AP Flow rate:0-45L/m(13/16")

Working Pressure: 0.18Mpa

- ◆ AISTAR 11A Automatic Nozzles-for diesel, kerosene and all kinds of gasoline service.
- ◆ Easily replaced spout- simply removes the screw.

Spout kits are available from AISTAR.

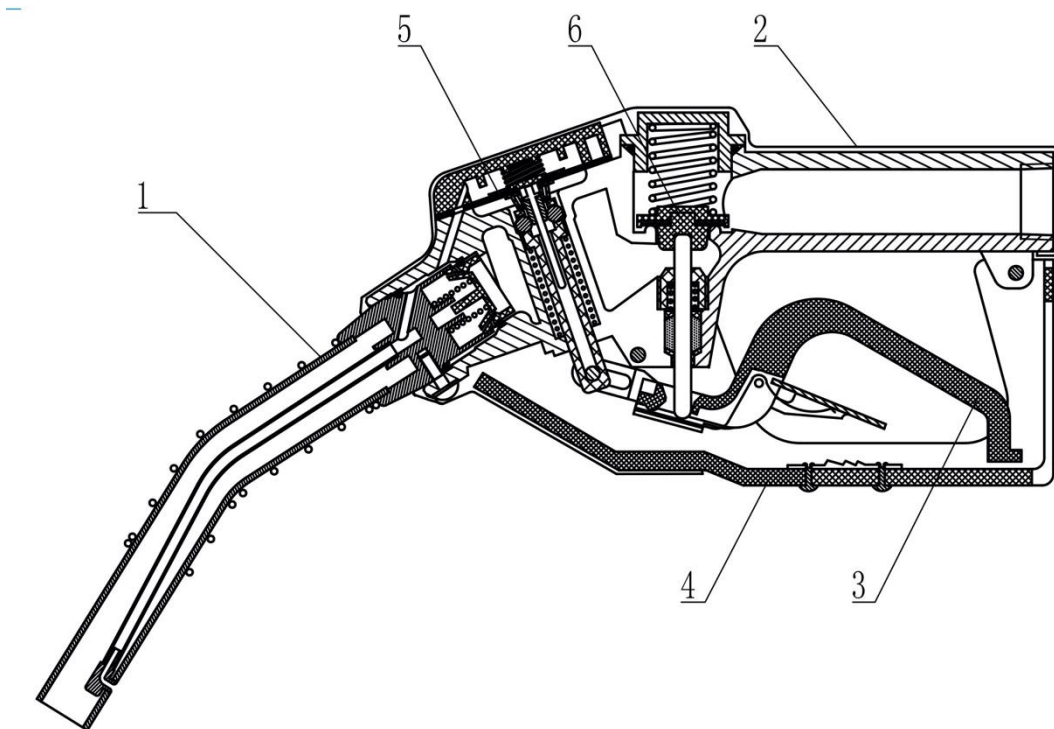
- ◆ Low-profile aluminum body- light weight, easier to handle, provides an attractive, image-enhancing appearance.

- ◆ Vacuum Design: Back-Sealing Design.
- ◆ Selective casting process of body- Sand casting technique or high-pressure casting technique. The high-pressure casting technique can reduce diesel foaming and static electricity.
- ◆ Hold-open rack is available for full service applications the one hand control means easy setting to flow rate for customers convenience.
- ◆ Full hand insulator- protects both nozzle and vehicle, and insulates user's hands.
- ◆ Available Colors- color chart on inside back cover
- ◆ Selective splash guard.
- ◆ Selective Spout With Flowlock - designed to shut-off automatically when the spout is tipped up, limiting spillage and " spit"
- ◆ 100% Factory Tested.

Warning:

Using foreign objects to hold open automatic nozzles could result in failure to shut-off and personal injury.

AISTAR 11A Nozzle Shown



Important:

AISTAR Products should be used in compliance with country, province and local Laws and regulations.

Products selection should be based on physical specifications and limitations and compatibility with the environment and materials to be handled. AISTAR Makes no warranty of fitness for a particular use. All illustrations and specifications in this literature are based on the latest products information available at the time of publication, AISTAR reserves the right to make changes at any time in price, materials, specifications and models and to discontinue models without notice or obligation.

Replacement Parts:

Key	Description	AISTAR-11A	AISTAR-11AP
1	Spout 13/16"		◆
1	Spout 15/16"	◆	
2	Full Hand Insulator	◆	◆
3	Lever Assembly	◆	◆
4	Lever Guard	◆	◆
5	Diaphragm Assembly	◆	◆
6	Main Valve Assembly	◆	◆

## AISTAR-11B Series of Automatic Pressure-Sensitive Nozzles

product presentation:

AISTAR-11B series high-quality automatic Nozzles are designed specially for self-service prepay or card- lock system to help prevent gasoline spills. It can not be opened until the pumping system is pressurized and closes automatically when the pressure is removed. This means the AISTAR-11B series nozzles are closed when placed back in the dispenser storage position.

Materials:

Body: Aluminum

Seals: Buna-N, Viton

Main stem seals: Viton Cased Oil Seal / Graphite with Teflon

Main stem: Stainless steel

Package:

Net Weight: 1.275kg/pc

Gross Weight: 1.5kg/pc

55x34x42.5 cm<sup>3</sup>/case of 15pc

37.5x34x43 cm<sup>3</sup>/case of 10pc

Features & Benefits:

◆ AISTAR-11B Flow rate: 0-60 L/m (15/16")

AISTAR-11 BP Flow rate: 0-45 L/m (13/16")

◆ Working Pressure: 0.18Mpa

◆ Accurate flow control- allows your customers to top off their tank to the exact amount they want, and it's easy to stop gasoline flow precisely.

◆ Easily replaced spout- simply removes the screw.

Spout kits are available from AISTAR.

◆ Low profile aluminum body- light weight, easier to handle, provides an attractive, image enhancing appearance.

◆ Hold-open rack is available for full service applications The one hand control means easy setting to flow rate for customer's convenience.

◆ Exclusive Pressure Detecting Module- the main valve can keep closed, even when held without enough pressure in hose.

◆ Full hand insulator- protects both nozzle and vehicle, and insulates users' hands.

◆ Available Colors- color chart on inside back cover

◆ Selective splash guard.

◆ Selective Spout With Flowlock - designed to shut-off automatically when the spout is tipped up, limiting spillage and "spit"

◆ 100% Factory Tested.

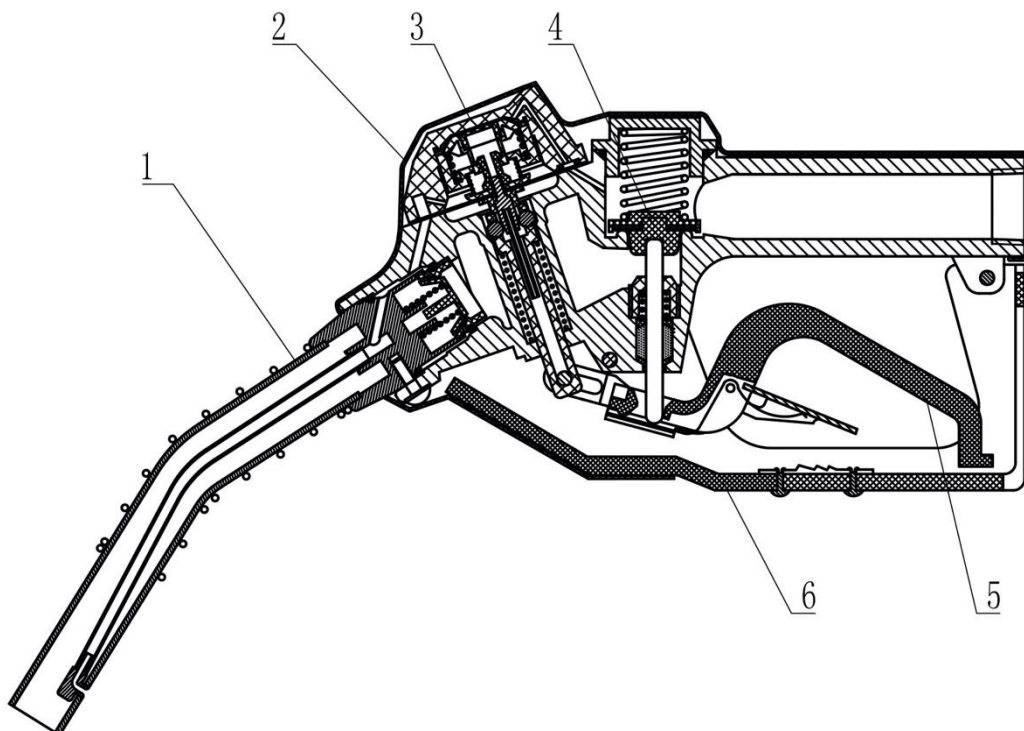
Warning:

Using foreign objects to hold open automatic nozzles could result in failure to shut-off and personal injury.

AISTAR-11B



AISTAR-11B NOzzle Shown



Important:

AISTAR Products should be used in compliance with country, province and local Laws and regulations. Products selection should be based on physical specifications and limitations and compatibility with the environment and materials to be handled. AISTAR Makes no warranty of fitness for a particular use. All illustrations and specifications in this literature are based on the latest products information available at the time of publication, AISTAR reserves the right to make changes at any time in price, materials, specifications and models and to discontinue models without notice or obligation.

Key	Description	AISTAR-11B	AISTAR-11BP
1	Spout 13/16"		◆
1	Spout 15/16"	◆	
2	Full Hand Insulator	◆	◆
3	Lever Assembly	◆	◆
4	Lever Guard	◆	◆
5	Diaphragm Assembly	◆	◆
6	Main Valve Assembly	◆	◆

