



**Miltronics Mfg. Svcs., Inc.**  
95 Krif Road  
Keene, New Hampshire 03431  
USA  
(800) 283-1141  
(603) 352-0187  
Fax: (603) 352-1036  
sales@pacer-instruments-usa.com

[www.pacer-instruments-usa.com](http://www.pacer-instruments-usa.com)

Copyright © 2013, Miltronics Mfg. Svcs., Inc.



**Model APT275  
ROTATING VANE  
THERMO-ANEMOMETER PROBE**



**User Manual**

## INTRODUCTION

Congratulations on your purchase of an APT275 Rotating Vane Thermo-Anemometer Probe! You now own one of the most accurate and highly regarded thermo-anemometer probes on the market today.

These probes are characterized by durable metal construction and carefully balanced rotors which are sensitive to very low flow rates and also rugged in order to handle high and variable flow rates.

Pacer's APT275 probe is widely used in industries and applications such as power generation, electronics manufacturing, fluids research, aerospace development, pharmaceutical, clean-room monitoring, HVAC, and industrial process control.

Pacer also offers a full line of handheld instruments and transmitters to complement our airflow, humidity, and temperature probes. These instruments feature rugged construction, digital readouts, datalogging, and analog output, USB, and RS232 communications options. Please visit our website for more information.

## CALIBRATION

To maintain your instrument in top working order, we recommend that you send it back to us for calibration each year, beginning one year after purchase.

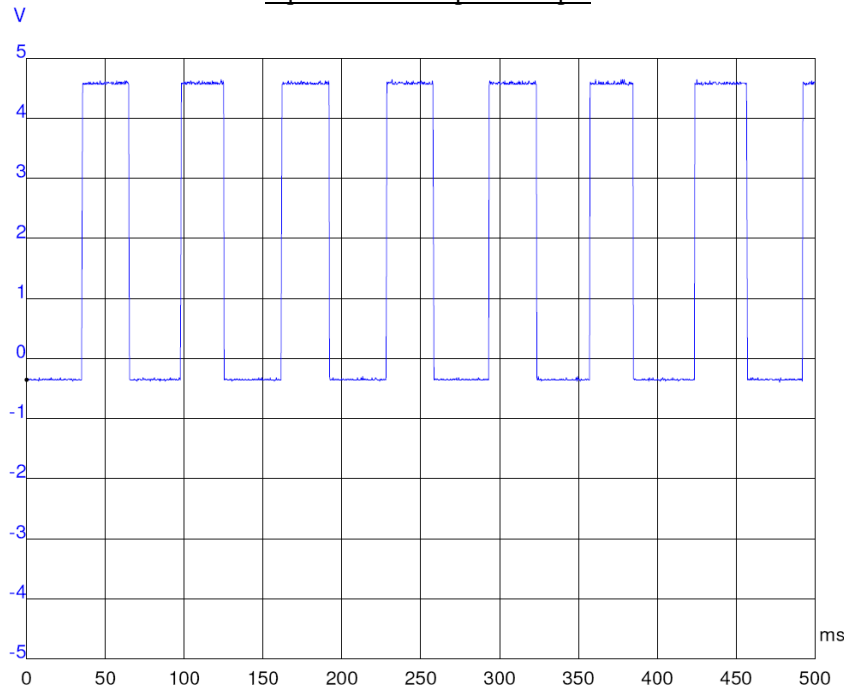
Our NIST-Traceable multi-point calibration services include ensuring the instrument performs within its accuracy tolerance, making any necessary adjustments, and inspecting all aspects of the instrument's functionality so that you'll have another year of dependable service. Calibration also includes a complimentary firmware upgrade so that you know you'll have the latest advances in accuracy and reliability in your instrument.

Additional points other than our standard calibration are also available from the factory. We can offer precise calibration tailored to your specific measurement needs using our state-of-the-art facilities and calibration equipment.

Please contact us or visit our website for the latest information on calibrating your instrument.

*NOTE: Probes sold individually are calibrated using a control instrument. The data contained on the certificate of calibration is for reference only. Additional equipment and connections may change or alter the data. It is highly recommended that the entire unit be re-calibrated at the manufacturer's facility.*

PIN	Purpose	Value
GROUND	Ground	Ground
PIN 2	Output Signal	5-Volt Square Wave (TTL), 50% duty cycle
PIN 3	Supply Voltage ( $V_{cc}$ )	5 Volts DC @ 5 mA
PIN 4	Ground	Ground
PIN 5	PT100	RTD-1A
PIN 6	PT100	RTD-2A
PIN 7	PT100	RTD-2B

Square Wave Output Example

## Warranty

This product is fully warranted against defective materials and/or workmanship for a period of one year after purchase, provided it was not improperly used. For your protection, please use this product as soon as possible. If returned, it must be securely wrapped, sent prepaid and insured to:

Miltronics Mfg. Svcs. Inc.  
Attn: Pacer Instruments  
95 Krif Road  
Keene, New Hampshire 03431  
USA

Please include a note with name, address, telephone number and description of the problem. Although we provide assistance on Pacer Instrument products both personally and through our literature, it is still the total responsibility of the customer to determine the suitability of the product for use in their application.

This manual is provided by Miltronics Mfg. Svcs., Inc. without any kind of warranty. Precautions have been taken in accurately preparing this manual; however, we neither assume responsibility for any omissions or errors that may appear nor assume liability for any damages that result from the use of the products in accordance with the information contained in the manual.

## SPECIFICATIONS

**Airflow measurement range:** 50 – 7800 FPM (feet per minute)  
0.2 - 40.0 MPS (meters per second)

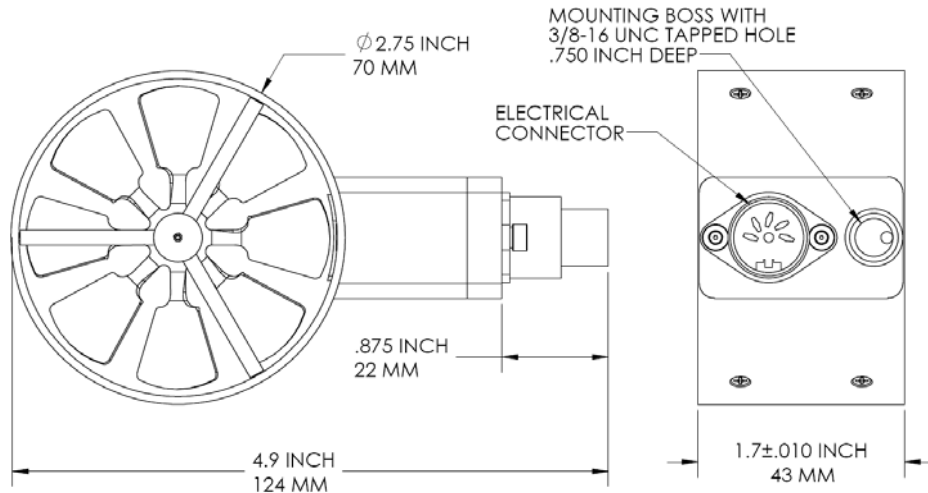
**Temperature measurement range:** -4° to 212°F (-20° to 100°C)

### Accuracy:

Air Velocity: ±1.0% of reading ±1 digit  
Temperature: ±(0.3°C + 0.2% of reading in °C)  
Temperature accuracy examples: ±0.3°C at 20°C  
±0.5°F at 68°F

**Operating Temperature:** -4° to 212 °F (-20° to 100 °C)

## Dimensions



## ELECTRICAL AND SIGNAL INFORMATION

The APT275 probe outputs a calibrated, single-ended, 50% duty cycle 5-Volt square wave as shown on the next page. The frequency of this square wave corresponds to the airflow measured by the instrument according to the following formula:

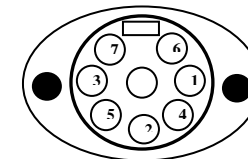
$$Velocity = 3.1595 \times f + 36.4$$

where *Velocity* is the air velocity in **feet per minute** (FPM) and *f* is the output frequency of the signal from the probe in Hertz (Hz).

The PT100 sensor is a Platinum Resistance RTD, 3-wire PT100, Class A, 100 ohm at 0° C, temperature detector.

Temperature coefficient:  $T_c = 3850$  ppm/K  
Measuring current = 1 mA

## ELECTRICAL CONNECTOR PINOUT DIAGRAM



Mating Cable Connector:  
Switchcraft Part No. 15CL7MX (RoHS version)  
Switchcraft Part No. 15CL7M (non-RoHS version)

## Pin Assignments