



95 Krif Road
Keene, NH 03431
(800) 283-1141 or (800)-828-9089
Fax: 603-352-3333 or 352-1036
sales@miltronics.com and sales@pacer-instruments.com

Page 1 of 8



Model SL120



User Manual



95 Krif Road
Keene, NH 03431
(800) 283-1141 or (800)-828-9089
Fax: 603-352-3333 or 352-1036
sales@miltronics.com and sales@pacer-instruments.com

Page 2 of 8

Warranty

This product is fully warranted against defective materials and/or workmanship for a period of one year after purchase, provided it was not improperly used. For your protection, please use this product as soon as possible. If returned, it must be securely wrapped, sent prepaid and insured to:

Miltronics Mfg., Inc.
95 Krif Road
Keene, NH 03431
PH: 603-352-0187
FX: 6030-352-1036

Please include a note with name, address, telephone number and description of the problem. Although we provide assistance on Miltronics, Pacer Instruments and Pacer Legacy products both personally and through our literature, it is still the total responsibility of the customer to determine the suitability of the product for use in their application.

This manual is provided by Miltronics Mfg., Inc. without any kind of warranty. Precautions have been taken in accurately preparing this manual; however, we neither assume responsibility for any omissions or errors that may appear nor assume liability for any damages that result from the use of the products in accordance with the information contained in the manual.



INTRODUCTION

The model SL120 sound level meter is a one-button easy-to-use instrument that uses a quality, intuitive analog meter movement. It measures to the Graph A weighting (See APPENDIX B). It is excellent for checking noise levels to remain in standards of compliance. It is used for the safety/health area and in quality control of noise. It meets the ANSI S1.4-1983 Type 2 standards.

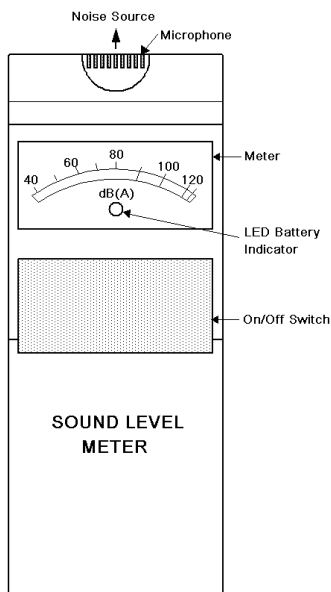
SPECIFICATIONS

Sensor:	Built-in electret capacitive type microphone
Ranges:	40 to 120 dB (A)
Accuracy:	Conforms to ANSI S1.4-1983 Type 2
Display:	Analog Meter
Frequency Weighting:	Graph A (According to ANSI S1.4 1983 Type 2 and IEC 651 Type 2)
Time Weighting:	Slow (corresponds to IEC)
Battery:	2.7V alkaline battery PN 3321 or two type 625 1.4V button cells
Battery Life:	Approximately 100 hours
Battery Check:	LED Low Battery Indicator
Operating Temperature:	32° to 122°F (0° to 50°C)
Dimensions:	
Instrument:	5.75" X 1.75" X 1.1"
Weight:	3.5 ounces with battery
Options:	
Battery	PN 3321 2.7V replacement battery
Holster	PN 3865 belt-loop holster
Included:	SL120 sound meter with PN 2958 operation manual

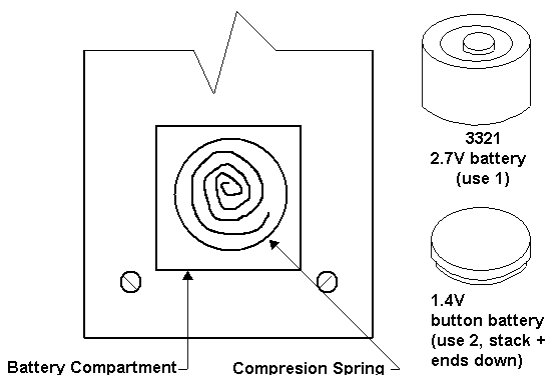
OPERATION

The SL120 is simple to use. Press the yellow button and point the microphone in the direction of the sound or noise to be measured. When testing for noise levels on equipment, place the microphone at the same height and in the same direction as the machine operator's ear.

The red LED in the lower middle of the meter window serves as a battery check as well as indicating that the meter is operating properly. If the LED does not light, replace the battery (refer to APPENDIX A).



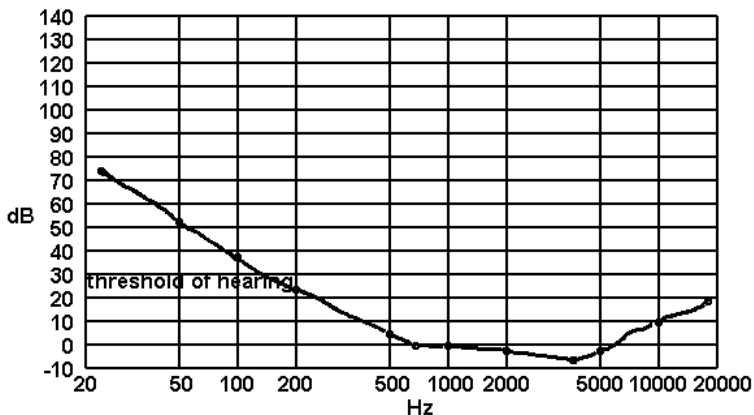
APPENDIX A – BATTERY REPLACEMENT



To replace the battery(s), pry open battery compartment with a coin or a screwdriver and install a new PN 3321 battery. Available from the manufacturer.

You may also use (2) coin cells (plus + side down); use any of the following or equivalent: Varta V625U, Vinnic L1560, Duracell 625A, Energizer 625G or any equivalent cells. Be sure the spring has sufficient force; stretch it up if needed.

APPENDIX B – GRAPH A



Graph A shows the human hearing range in tone frequency vs. sound level. The sensitivity of the ear is greatest in the range 2000 to 5000 Hz. A 50 Hz tone must be 53 dB stronger than a 1000 Hz tone to be heard.



95 Krif Road
Keene, NH 03431
(800) 283-1141 or (800)-828-9089
Fax: 603-352-3333 or 352-1036
sales@miltronics.com and sales@pacer-instruments.com

Page 7 of 8

Notes:



95 Krif Road
Keene, NH 03431
(800) 283-1141 or (800)-828-9089
Fax: 603-352-3333 or 352-1036
sales@miltronics.com and sales@pacer-instruments.com

Page 8 of 8



Miltronics Mfg. Svcs., Inc.
95 Krif Road
Keene, New Hampshire 03431
USA
(800) 283-1141
(603) 352-0187
Fax: (603) 352-1036
sales@miltronics.com

www.pacer-instruments-usa.com

Copyright © 2009-2013, Miltronics Mfg., Inc.
Miltronics, SL120, and the
Miltronics Mfg., Inc. logo are trademarks of Miltronics Mfg., Inc.
Pacer and Pacer Instruments are trademarks of Pacer Instruments, Inc.