

Model : AWM320MZ

HD 1080p 4in1 Bullet Camera



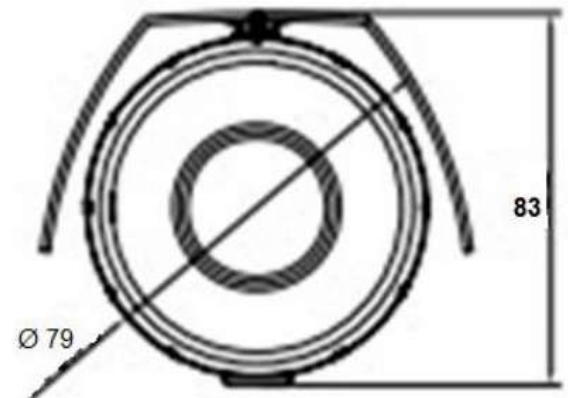
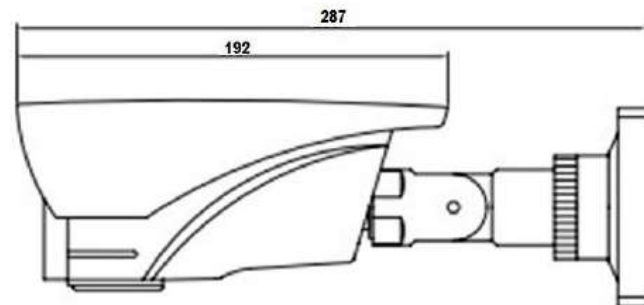
Key Features

- ▶ HD 1080p, 2.0MP
- ▶ 1/2.8" Sony Exmor CMOS Sensor
- ▶ 4in1 Signal Switchable : AHD/TVI/CVI/CVBS
- ▶ Motorized Zoom Lens 2.8-12mm
- ▶ Control zoom by in-line OSD controller or COC supported DVR
- ▶ Metal Casing

Technical Specification

Image Sensor	1/2.8" Sony Exmor CMOS Sensor
Effective Pixel	1920(H)*1080(V)
Resolution	HD 1080p, 2.0MegaPixles
Min. Illumination	0.01 Lux@F1.2 (AGC On), 0 Lux IR On
Video Output	Comply with AHD/TVI/CVI/CVBS
Electronic Shutter	4/25 - 1/45,000 SEC
Sync. System	Internal Synchronization
Day/Night	AUTO / COLOR / B/W / EXT
Noise Reduction	2D DNR / 3D DNR
Lens Mount / Type	HD AF-M14/2.8-12mm
IR LED	4 Big Array LEDs
Power Voltage	DC12V ± 10%
Working Temperature	-20°C~+50°C
Working Humidity	≤ 95%RH (No Condensation)
Material	Metal
Net weight	700G

Product Structure



Model : ADM320MZ

HD 1080p 4in1 Dome Camera



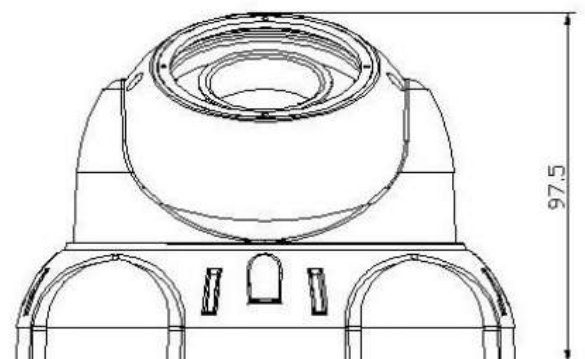
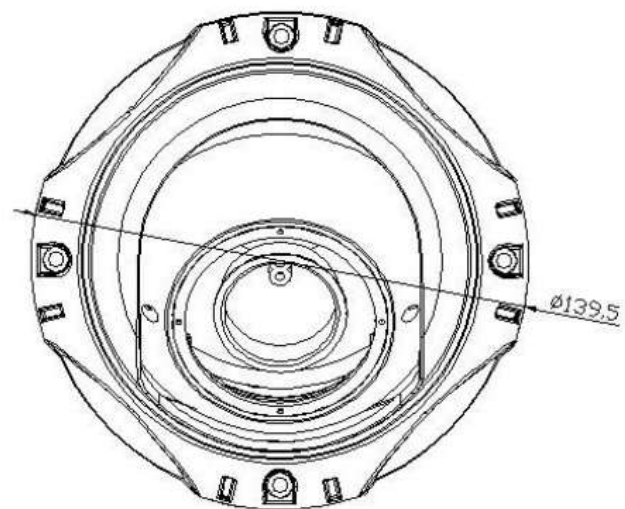
Key Features

- ▶ HD 1080p, 2.0MP
- ▶ 1/2.8" Sony Exmor CMOS Sensor
- ▶ 4in1 Signal Switchable : AHD/TVI/CVI/CVBS
- ▶ Motorized Zoom Lens 2.8-12mm
- ▶ Control zoom by in-line OSD controller or COC supported DVR
- ▶ Metal Casing

Technical Specification

Image Sensor	1/2.8" Sony Exmor CMOS Sensor
Effective Pixel	1920(H)*1080(V)
Resolution	HD 1080p, 2.0MegaPixles
Min. Illumination	0.01 Lux@F1.2 (AGC On), 0 Lux IR On
Video Output	Comply with AHD/TVI/CVI/CVBS
Electronic Shutter	4/25 -1/45,000 SEC
Sync. System	Internal Synchronization
Day/Night	AUTO / COLOR / B/W / EXT
Noise Reduction	2D DNR / 3D DNR
Lens Mount / Type	HD AF-M14/2.8-12mm
IR LED	3 Array LEDs
Power Voltage	DC12V ± 10%
Working Temperature	-20°C ~+50°C
Working Humidity	≤95%RH (No Condensation)
Material	Metal
Net weight	600G

Product Structure



Model : APC320

HD 1080p 4in1 PIR Sensor Outlook Indoor Hidden Camera



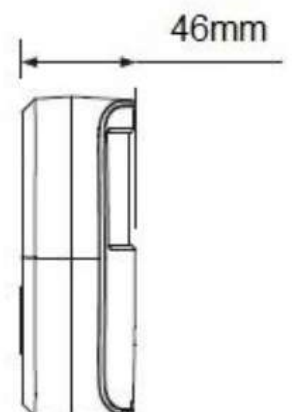
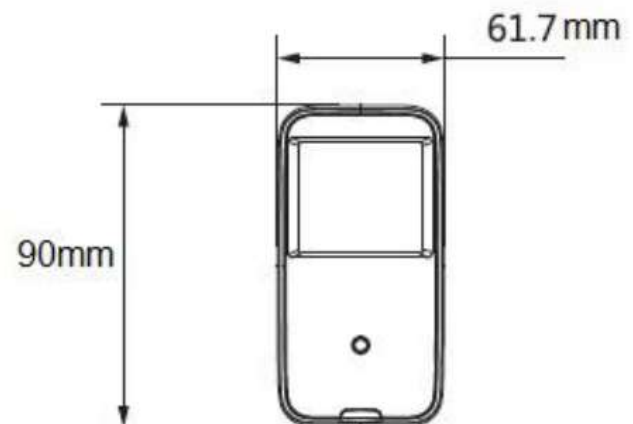
Key Features

- ▶ HD 1080p, 2.0MP
- ▶ 1/2.8" Sony Exmor CMOS Sensor
- ▶ 4in1 Signal Switchable : AHD/TVI/CVI/CVBS
- ▶ Standard 3.7mm
- ▶ Plastic Casing

Technical Specification

Image Sensor	1/2.8" Sony Exmor CMOS Sensor
Effective Pixel	1920(H)*1080(V)
Resolution	HD 1080p, 2.0MegaPixles
Min. Illumination	0.05 Lux@F1.2 (AGC On)
Video Output	Comply with AHD/TVI/CVI/CVBS
Electronic Shutter	1/25 - 1/45,000 SEC
Sync. System	Internal Synchronization
Day/Night	AUTO / COLOR / B/W / EXT
Noise Reduction	2D DNR
Lens Mount / Type	HD 3.7mm
Power Voltage	DC12V ± 10%
Working Temperature	-10°C ~ +50°C
Working Humidity	≤ 95%RH (No Condensation)
Material	Plastic
Net weight	110G

Product Structure



Model : APH320

HD 1080p 4in1 Pinhole Camera



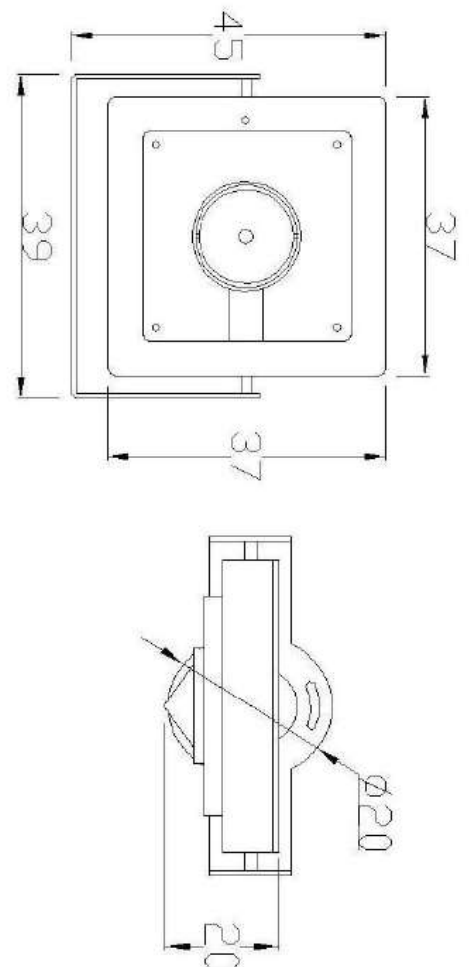
Key Features

- ▶ HD 1080p, 2.0MP
- ▶ 1/2.8" Sony Exmor CMOS Sensor
- ▶ 4in1 Signal Switchable : AHD/TVI/CVI/CVBS
- ▶ Standard 3.7mm

Technical Specification

Image Sensor	1/2.8" Sony Exmor CMOS Sensor
Effective Pixel	1920(H)*1080(V)
Resolution	HD 1080p, 2.0MegaPixles
Min. Illumination	0.05 Lux@F1.2 (AGC On)
Video Output	Comply with AHD/TVI/CVI/CVBS
Electronic Shutter	1/25 -1/45,000 SEC
Sync. System	Internal Synchronization
Day/Night	AUTO / COLOR / B/W / EXT
Noise Reduction	2D DNR
Lens Mount / Type	HD 3.7mm
Power Voltage	DC12V ± 10%
Working Temperature	-10°C ~+50°C
Working Humidity	≤95%RH (No Condensation)
Net weight	40G

Product Structure



Model : AWM620-10X

HD 1080p 4in1 IR 10X PTZ Bullet Camera



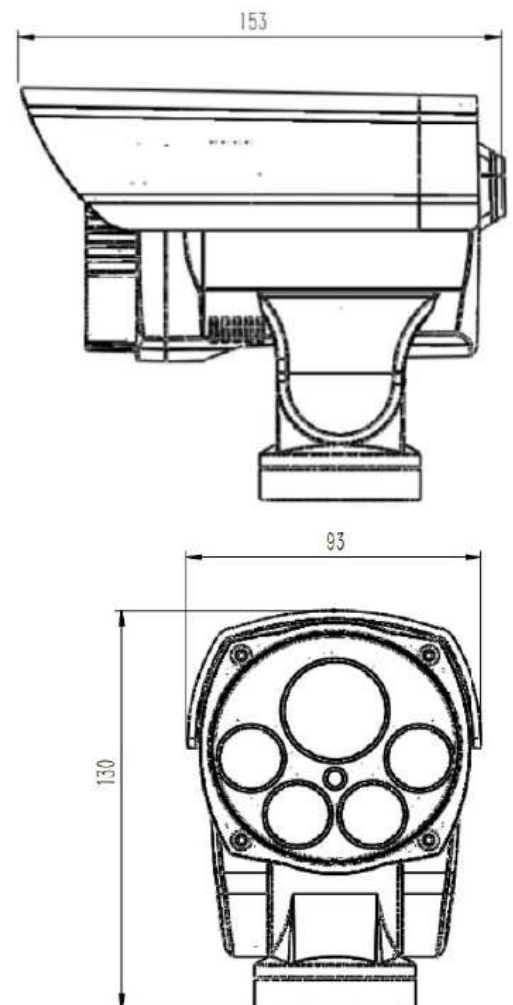
Key Features

- ▶ HD 1080p, 2.0MP
- ▶ 1/2.9" Sony Exmor CMOS Sensor
- ▶ 4in1 Signal Switchable : AHD/TVI/CVI/CVBS
- ▶ 10X Optical Zoom (HD 5.1-51mm)
- ▶ 4pcs Array IR LEDs
- ▶ 0~300° horizontal range, -5~60° vertical range
- ▶ PTZ UTC/COC control or RS485 (Pelco D/P)

Technical Specification

Image Sensor	1/2.9" Sony Exmor CMOS Sensor
Effective Pixel	1920(H)*1080(V)
Resolution	HD 1080p, 2.0MegaPixles
Min. Illumination	0.01 Lux@F1.2 (AGC On), 0 Lux IR On
Video Output	Comply with AHD/TVI/CVI/CVBS
Electronic Shutter	1/25 - 1/100,000 SEC
Sync. System	Internal Synchronization
Day/Night	AUTO / COLOR / B/W
Noise Reduction	2D/3D DNR, multi levels adjustable
Lens Type	HD 5.1~51mm Autofocus Lens
IR LED	4pcs Array IR LEDs
Power Voltage	DC12V ± 10%
Working Temperature	-30°C ~ +60°C
Working Humidity	10%~90% RH
Material	Metal
Net weight	1000G

Product Structure



Model : ADM320S

HD 1080p 4in1 Dome Camera



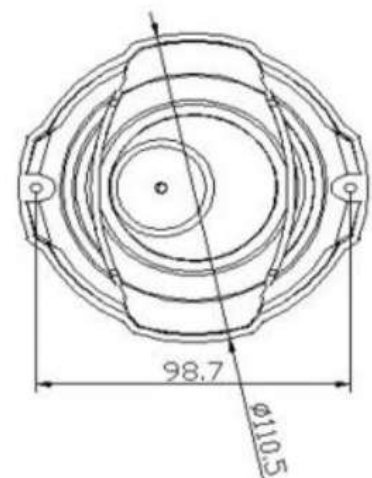
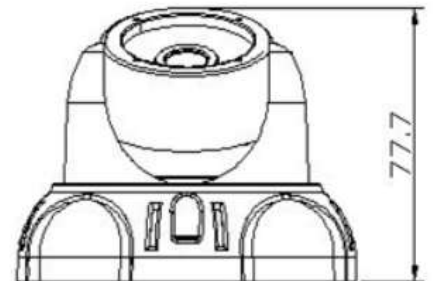
Key Features

- ▶ HD 1080p, 2.0MP
- ▶ 1/2.8" Sony Exmor CMOS Sensor
- ▶ 4in1 Signal Switchable : AHD/TVI/CVI/CVBS
- ▶ Std HD 3.6mm, Optional HD 2.8/6/8mm
- ▶ Metal Casing

Technical Specification

Image Sensor	1/2.8" Sony Exmor CMOS Sensor
Effective Pixel	1920(H)*1080(V)
Resolution	HD 1080p, 2.0MegaPixles
Min. Illumination	0.01 Lux@F1.2 (AGC On), 0 Lux IR On
Video Output	Comply with AHD/TVI/CVI/CVBS
Electronic Shutter	1/25 - 1/45,000 SEC
Sync. System	Internal Synchronization
Day/Night	AUTO / COLOR / B/W / EXT
Noise Reduction	2D DNR
Lens Mount / Type	M12 / HD 3.6mm
IR LED	18pcs SMD LEDs
Power Voltage	DC12V ± 5%
Working Temperature	-30°C ~ +50°C
Working Humidity	≤ 85%RH (No Condensation)
Material	Metal
Net weight	310G

Product Structure



Model : AWM350SL

5MP 4in1 StarLight Bullet Camera



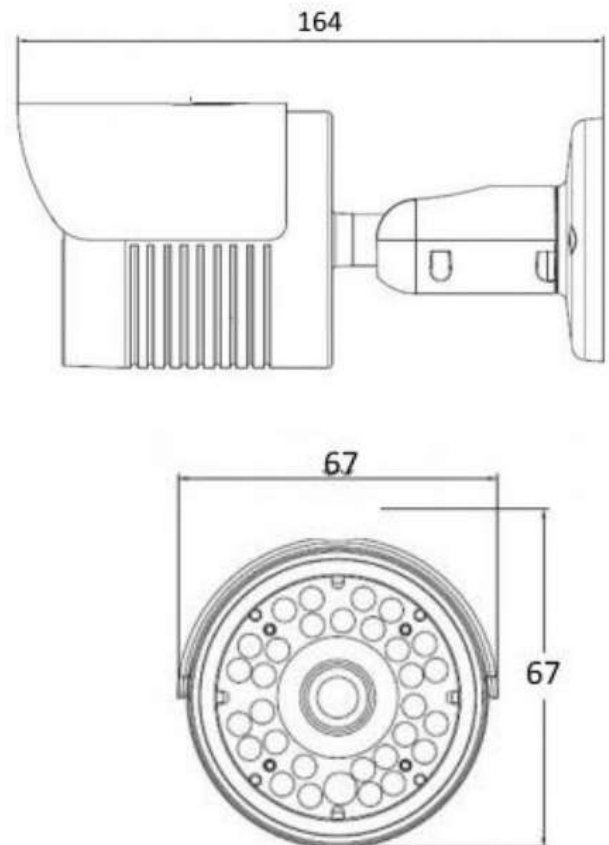
Key Features

- ▶ 2592(H)x1944(V), 5.0MP
- ▶ 1/2.8" Sony IMX CMOS Sensor
- ▶ 4in1 Signal Switchable : AHD/TVI/CVI/CVBS
- ▶ Std HD 3.6mm
- ▶ Metal Casing

Technical Specification

Image Sensor	1/2.8" Sony IMX CMOS Sensor
Effective Pixel	2592(H)*1944(V)
Resolution	5.0MegaPixles
Min. Illumination	0.001 Lux@F1.2 (AGC On), 0 Lux IR On
Video Output	Comply with AHD/TVI/CVI/CVBS
Electronic Shutter	1/25 -1/100,000 SEC
Sync. System	Internal Synchronization
White Balance	ATW / AWC-SET
Noise Reduction	2D / 3D DNR
BLC	Level & Area
AGC	0-15 Level
Lens Mount / Type	M12 / HD 3.6mm
IR LED	18pcs SMD LEDs, Smart IR
Power Voltage	DC12V ± 10%
Working Temperature	-10°C ~+50°C
Working Humidity	95% (No Condensation)
Material	Metal
Net weight	330G

Product Structure



Model : AWM620-4X

HD 1080p 4in1 IR 4X PTZ Bullet Camera



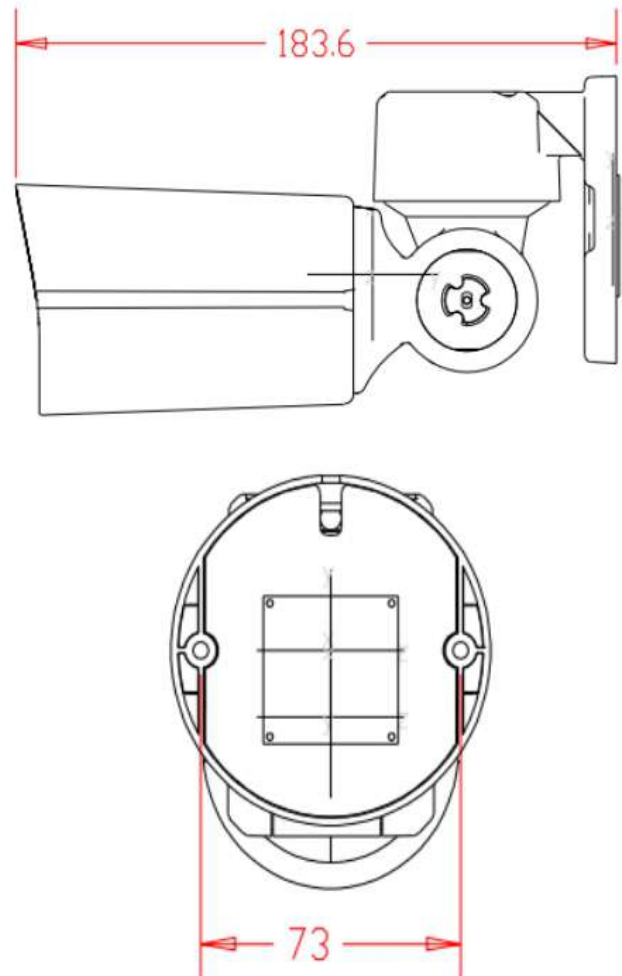
Key Features

- ▶ HD 1080p, 2.0MP
- ▶ 1/2.9" Sony Exmor CMOS Sensor
- ▶ 4in1 Signal Switchable : AHD/TVI/CVI/CVBS
- ▶ 4X Optical Zoom (HD 2.8-12mm)
- ▶ 6pcs Array IR LEDs
- ▶ 0~160° horizontal range, 0~55° vertical range
- ▶ PTZ UTC/COC control or RS485 (Pelco D/P)

Technical Specification

Image Sensor	1/2.9" Sony Exmor CMOS Sensor
Effective Pixel	1920(H)*1080(V)
Resolution	HD 1080p, 2.0MegaPixles
Min. Illumination	0.01 Lux@F1.2 (AGC On), 0 Lux IR On
Video Output	Comply with AHD/TVI/CVI/CVBS
Electronic Shutter	1/25 -1/100,000 SEC
Sync. System	Internal Synchronization
Day/Night	AUTO / COLOR / B/W
Noise Reduction	2D/3D DNR, multi levels adjustable
Lens Type	HD 2.8~12mm Autofocus Lens
IR LED	6pcs Array IR LEDs
Power Voltage	DC12V ± 10%
Working Temperature	-30°C ~+60°C
Working Humidity	10%~90% RH
Material	Metal
Net weight	600G

Product Structure



Model : ADM220

HD 1080p 4in1 Dome Camera



Key Features

- ▶ HD 1080p, 2.0MP
- ▶ 1/2.9" CMOS Sensor
- ▶ 4in1 Signal Switchable : AHD/TVI/CVI/CVBS
- ▶ Standard HD 3.6mm
- ▶ Plastic Casing

Technical Specification

Image Sensor	1/2.9" CMOS Sensor
Effective Pixel	1920(H)*1080(V)
Resolution	HD 1080p, 2.0MegaPixles
Min. Illumination	0.01 Lux@F1.2 (AGC On), 0 Lux IR On
Video Output	Comply with AHD/TVI/CVI/CVBS
Electronic Shutter	1/25 -1/50,000 SEC
Sync. System	Internal Synchronization
Day/Night	AUTO (ICR) / COLOR / B/W
S/N ration	≥50dB
Lens Mount / Type	M12 / HD 3.6mm
IR LED	18pcs SMD LEDs
Power Voltage	DC12V ± 10%
Working Temperature	-10°C ~+50°C
Working Humidity	≤95%RH (No Condensation)
Material	Plastic
Net weight	150G

Product Structure



Model : AWM220

HD 1080p 4in1 Bullet Camera



Key Features

- ▶ HD 1080p, 2.0MP
- ▶ 1/2.9" CMOS Sensor
- ▶ 4in1 Signal Switchable : AHD/TVI/CVI/CVBS
- ▶ Standard HD 3.6mm
- ▶ Metal Casing, IP66-rated

Technical Specification

Image Sensor	1/2.9" CMOS Sensor
Effective Pixel	1920(H)*1080(V)
Resolution	HD 1080p, 2.0MegaPixles
Min. Illumination	0.01 Lux@F1.2 (AGC On), 0 Lux IR On
Video Output	Comply with AHD/TVI/CVI/CVBS
Electronic Shutter	1/25 -1/50,000 SEC
Sync. System	Internal Synchronization
Day/Night	AUTO (ICR) / COLOR / B/W
S/N ration	≥50dB
Lens Mount / Type	M12 / HD 3.6mm
IR LED	2pcs Hidden Array LEDs
Power Voltage	DC12V ± 10%
Working Temperature	-10°C ~+50°C
Working Humidity	≤95%RH (No Condensation)
Material	Metal
Net weight	330G

Product Structure



Model : AWM250

HD 5MP 4in1 Bullet Camera



Key Features

- ▶ HD 5.0MP
- ▶ 1/2.8" CMOS Sensor
- ▶ 4in1 Signal Switchable : AHD/TVI/CVI/CVBS
- ▶ Standard HD 3.6mm
- ▶ Metal Casing, IP66-rated

Technical Specification

Image Sensor	1/2.8" CMOS Sensor
Effective Pixel	2616(H)*1964(V)
Resolution	HD 5.0MegaPixles
Min. Illumination	0.01 Lux@F1.2 (AGC On), 0 Lux IR On
Video Output	Comply with AHD/TVI/CVI/CVBS
Electronic Shutter	1/25 -1/50,000 SEC
Sync. System	Internal Synchronization
Day/Night	AUTO (ICR) / COLOR / B/W
S/N ration	≥50dB
Lens Mount / Type	M12 / HD 3.6mm
IR LED	2pcs Hidden Array LEDs
Power Voltage	DC12V ± 10%
Working Temperature	-10°C ~+50°C
Working Humidity	≤95%RH (No Condensation)
Material	Metal
Net weight	330G

Product Structure



Model : ADM250

HD 5MP 4in1 Dome Camera



Key Features

- ▶ HD 5MP
- ▶ 1/2.8" CMOS Sensor
- ▶ 4in1 Signal Switchable : AHD/TVI/CVI/CVBS
- ▶ Standard HD 3.6mm
- ▶ Plastic Casing

Technical Specification

Image Sensor	1/2.8" CMOS Sensor
Effective Pixel	2616(H)*1964(V)
Resolution	5.0MegaPixles
Min. Illumination	0.01 Lux@F1.2 (AGC On), 0 Lux IR On
Video Output	Comply with AHD/TVI/CVI/CVBS
Electronic Shutter	1/25 -1/50,000 SEC
Sync. System	Internal Synchronization
Day/Night	AUTO (ICR) / COLOR / B/W
S/N ration	≥50dB
Lens Mount / Type	M12 / HD 3.6mm
IR LED	18pcs SMD LEDs
Power Voltage	DC12V ± 10%
Working Temperature	-10°C ~+50°C
Working Humidity	≤95%RH (No Condensation)
Material	Plastic
Net weight	150G

Product Structure

