

# 8MP VF Network IR Bullet Camera

IPC2328SBR5-DPZ



## Key Features

### Optics

- Day/night functionality
- Optical glass window with higher light transmittance
- IR anti-reflection window to increase the infrared transmittance
- Smart IR, up to 50m (164ft) IR distance
- Up to 120 dB Optical WDR (Wide Dynamic Range)
- 2D/3D DNR (Digital Noise Reduction)

### Compression

- Ultra 265, H.265, H.264, MJPEG
- Triple streams
- ROI (Region of Interest)
- 9:16 corridor mode

### Network

- ONVIF Conformance

### Structure

- Support PoE power supply
- Wide temperature range: -35°C ~ 60°C (-31°F ~ 140°F)
- Wide voltage range of  $\pm 25\%$
- IP67

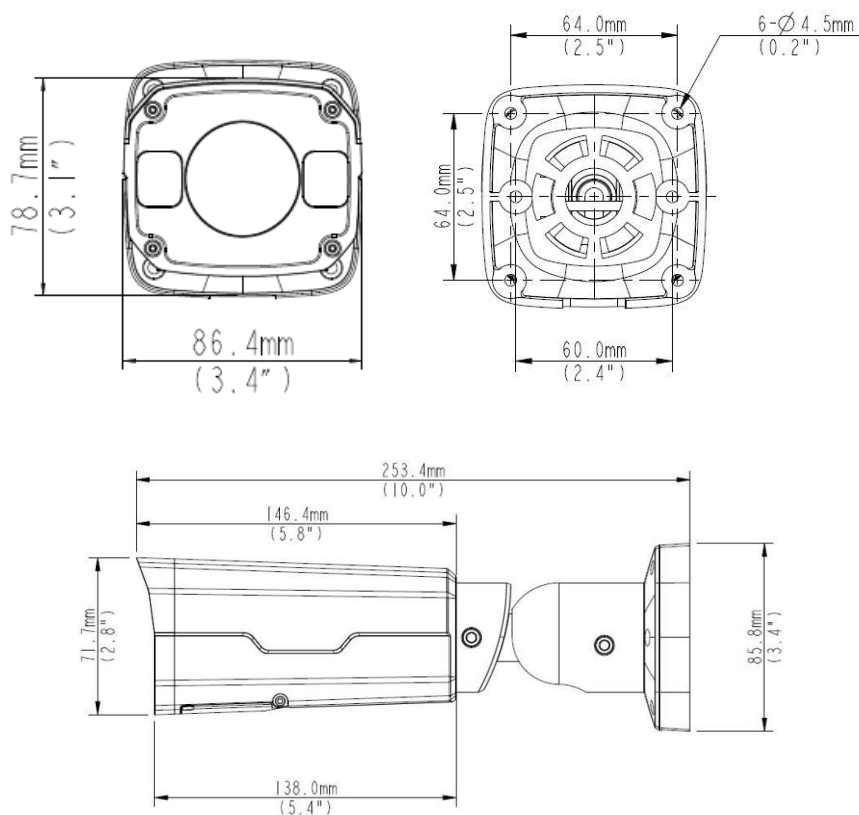
- 3-Axis

## Specifications

IPC2328SBR5-DPZ																
<b>Camera</b>																
Sensor	1/2", 8.0 megapixel, progressive scan, CMOS															
Lens	2.8 ~ 12mm, AF automatic focusing and motorized zoom lens															
DORI Distance	<table border="1"> <thead> <tr> <th>Lens (mm)</th> <th>Detect (m)</th> <th>Observe (m)</th> <th>Recognize (m)</th> <th>Identify (m)</th> </tr> </thead> <tbody> <tr> <td>2.8</td> <td>63</td> <td>25.2</td> <td>12.6</td> <td>6.3</td> </tr> <tr> <td>12</td> <td>270</td> <td>108</td> <td>54</td> <td>27</td> </tr> </tbody> </table>	Lens (mm)	Detect (m)	Observe (m)	Recognize (m)	Identify (m)	2.8	63	25.2	12.6	6.3	12	270	108	54	27
	Lens (mm)	Detect (m)	Observe (m)	Recognize (m)	Identify (m)											
	2.8	63	25.2	12.6	6.3											
12	270	108	54	27												
Angle of View (H)	114.8° ~ 47.3°															
Angle of View (V)	75.3° ~ 20.4°															
Angle of View (O)	141.2° ~ 55.8°															
Adjustment angle	<table border="1"> <thead> <tr> <th>Pan: 0° ~ 360°</th> <th>Tilt: 0° ~ 90°</th> <th>Rotate: 0° ~ 360°</th> </tr> </thead> <tbody> <tr> <td></td> <td></td> <td></td> </tr> </tbody> </table>	Pan: 0° ~ 360°	Tilt: 0° ~ 90°	Rotate: 0° ~ 360°												
Pan: 0° ~ 360°	Tilt: 0° ~ 90°	Rotate: 0° ~ 360°														
Shutter	Auto/Manual, 1 ~ 1/100000s															
Minimum Illumination	Colour: 0.003Lux (F1.5, AGC ON) 0Lux with IR on															
Day/Night	IR-cut filter with auto switch (ICR)															
Digital noise reduction	2D/3D DNR															
S/N	>52dB															
IR Range	Up to 50m (164ft) IR range															
Defog	Digital Defog															
WDR	120dB															
<b>Video</b>																
Video Compression	Ultra 265, H.265, H.264, MJPEG															
Frame Rate	Main Stream: 8MP (3840*2160), Max 20fps; 5MP (2592*1944), Max 30fps; 5MP (2944*1656), Max 30fps; 4MP (2560*1440), Max 30fps; 2MP (1920*1080), Max 30fps; Sub Stream: 2MP (1920*1080), Max 30fps; Third Stream: D1 (720*576), Max 30fps															
9:16 Corridor Mode	Supported															
HLC	Supported															
BLC	Supported															
OSD	Up to 8 OSDs															
Privacy Mask	Up to 8 areas															
ROI	Up to 8 areas															
Motion Detection	Up to 4 areas															
<b>Audio</b>																
Audio Compression	G.711															
Two-way audio	Supported															
Suppression	Supported															
Sampling Rate	8KHZ															
<b>Storage</b>																
Edge Storage	Micro SD, up to 256GB															
Network Storage	ANR															

Network	
Protocols	IPv4, IGMP, ICMP, ARP, TCP, UDP, DHCP, PPPoE, RTP, RTSP, RTCP, DNS, DDNS, NTP, FTP, UPnP, HTTP, HTTPS, SMTP, 802.1x, SNMP, QoS
Compatible Integration	ONVIF (Profile S, Profile G, Profile T), API
Interface	
Audio I/O	Audio cable
	Input: impedance 35kΩ; amplitude 2V [p-p]
	Output: impedance 600Ω; amplitude 2V [p-p]
Alarm I/O	1/1
Network	1 RJ45 10M/100M Base-TX Ethernet
Video Output	1 BNC, impedance 75Ω; amplitude 1V [p-p]
General	
Power	DC 12V±25%, PoE (IEEE 802.3af)
	Power consumption: Max 10W
Dimensions (L × W × H)	253.4 × 86.4 × 78.7mm (57.6" × 3.4" × 2.8")
Weight	1.0kg (2.2lb)
Working Environment	-35°C ~ 60°C (-31°F ~ 140°F), Humidity: ≤95% RH (non-condensing)
Ingress Protection	IP67

## Dimensions



**Zhejiang Uniview Technologies Co., Ltd.**

Building No.10, Wanlun Science Park, Jiangling Road 88, Binjiang District, Hangzhou, Zhejiang, China (310051)

Email: [overseasbusiness@uniview.com](mailto:overseasbusiness@uniview.com); [globalsupport@uniview.com](mailto:globalsupport@uniview.com)

<http://www.uniview.com>

©2019 Zhejiang Uniview Technologies Co., Ltd. All rights reserved.

\*Product specifications and availability are subject to change without notice.