

RG-ES200 SERIES

CLOUD MANAGED SWITCHES FOR IP SURVEILLANCE

RG-ES205GC-P/ RG-ES209GC-P/ RG-ES218GC-P/
RG-ES226GC-P/ RG-ES216GC/ RG-ES224GC

Product Overview

In order to solve the pain points of the current video surveillance industry, Ruijie Reyee Series has launched a series of smart surveillance switches. In addition to the Ruijie Reyee smart surveillance PoE switches, the series offers a 16-port and a 24-port non-PoE Gigabit switch to meet the customers' needs for smart management in non-PoE circumstances, such as PC, printer, and non-PoE cameras.

Ruijie Reyee Series cloud managed switches offer a variety of port options to meet the needs of video surveillance networks of different scales. RG-ES226GC-P, RG-ES218GC-P, RG-ES209GC-P and RG-ES205GC-P support full-power PoE output to ensure that all cameras can be powered simultaneously when connected to the switch at maximum capacity. In addition, Ruijie Reyee Series smart surveillance switches provide simple and easy-to-use management features while offering plug and play with default factory configuration, which can quickly locate the surveillance network faults, initiate port restart, perform VLAN configuration, etc. Mobile app and Ruijie Cloud remote management is also supported, making the operation and maintenance of the surveillance network easier and more convenient, while reducing operation and maintenance costs.

Highlights

- **Auto-provisioning via Self-Organizing Network:** ES2 Smart series switch realizes the industry-leading auto-discovery and auto-networking features for gateways, switches and wireless
- **Lifetime free Ruijie Cloud management:** Remote fault alarm, one-click operation, loop prevention, real topology and maintenance on Ruijie Cloud App
- **NVR/Camera Recognition**
- **Reboot the PoE Ports with remote one-click on Ruijie Cloud App**
- **Full Gigabit port:** Meet the needs of 200M xDS/fiber access, high-speed wired connectivity

Product Features

Plug and Play with Zero Configuration

Under factory default state, the smart surveillance switches require zero configuration after plugged in. The video surveillance network can be set up quickly after connecting the switch to the cameras and DVR correctly.

Full-power PoE Supporting PoE Cameras at Maximum Capacity

RG-ES226GC-P, RG-ES218GC-P, RG-ES209GC-P and RG-ES205GC-P support full-power PoE output, powering PoE network cameras for all PoE ports simultaneously. Whether it is day or night, the infrared light of the camera is on or off, it can ensure that all PoE network cameras are powered.

Auto PoE Power Adjustment for Safety and Energy Saving

The PoE port of the smart surveillance switches support 802.3af and 802.3at, providing up to 30W power supply to the connected device. The switches will negotiate with the connected devices to automatically adjust the PoE power, thereby saving energy.

In addition, when the PoE port is connected to a PC, DVR, or other non-PoE device, the switch will automatically identify the device and will not output power to such device to ensure equipment safety.

High Compatibility for Network Cable

The smart surveillance switches not only support standard cat5/5e/6 network cables, but also support power supply and data transmission via network cables of non-standard materials (such as 0.38/0.40/0.45-diameter copper-clad steel/iron), facilitating the construction and cabling.

High Surge Protection for Device Stability

The ports of the smart surveillance switches offer surge protection of up to 6KV, reducing the probability of being damaged by the surge and improving the stability of the customer's network.

Fast Fault Positioning

The smart surveillance switches support network topology display of the entire network and monitoring the network status in real time. When failure occurs for the network camera, the location and cause of failure can be displayed in a timely manner, and the notification can be sent via the mobile app.

On-demand VLAN Configuration

In the network of villas/ stores/ offices, the network cameras and wireless APs may be connected to the same switch. Without network isolation, there may be problems such as camera screen lag and slow wireless speed.

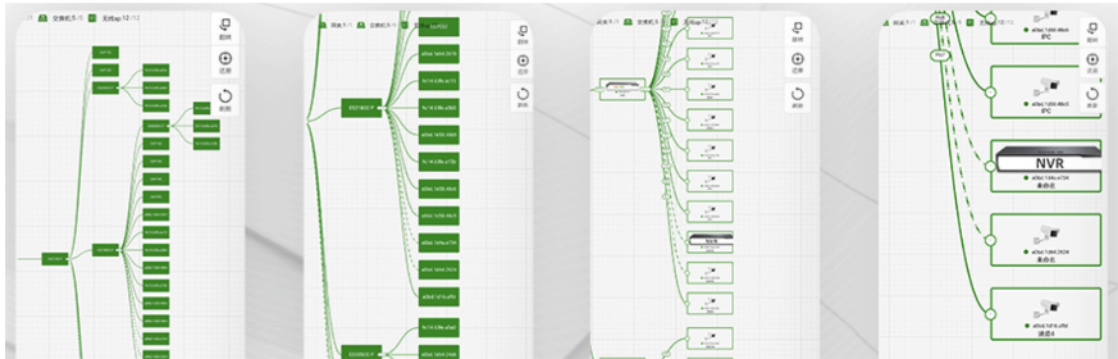
The smart surveillance switches provide convenient and flexible VLAN division, which can automatically divide different VLANs according to the type of equipment connected to the port, so that the surveillance network and data network do not interfere with each other, improving the stability of the entire network.

Mobile App/ Ruijie Cloud Platform Remote Management

The smart surveillance switches not only support web interface management, but also support mobile app and Ruijie Cloud platform remote management. Users can view the network status, modify the configuration, and troubleshoot at home. In addition, the PoE port can be restarted remotely to restart the faulty PoE camera.

NVR/Camera Recognition

RG-ES200 Series switches support NVR/Camera recognition. This helps the SI easy to check the real topology on Ruijie Cloud App included NVR and camera. It is easy to do the troubleshooting.



Multiple Deployment Methods Allowing One-step Project Management

The smart surveillance switches can obtain the IP address automatically from the gateway and connect to the external network without configuration. Auto-networking for switches is also supported. Users can scan the QR code of any switch in the network using the Ruijie Cloud app to automatically add all switches in the network to the project.

In addition, the smart surveillance switches support networking with Reye Series EG / EAP. The switches can be automatically discovered by the Reye Series EG / EAP and added to the corresponding project.

Technical Specifications

PoE Models

Model	RG-ES205GC-P	RG-ES209GC-P	RG-ES218GC-P	RG-ES226GC-P
Hardware specifications				
Ports	4 10/100/1000 Base-T ports (PoE/PoE+), 1 10/100/1000 Base-T port	8 10/100/1000 Base-T ports (PoE/PoE+), 1 10/100/1000 Base-T port	16 10/100/1000 Base-T ports (PoE/PoE+), 2 SFP Base-X ports	24 10/100/1000 Base-T ports (PoE/PoE+), 2 SFP Base-X ports
Maximum output power per PoE port	30W	30W	30W	30W
Maximum PoE output power per switch	54W	120W	240W	370W

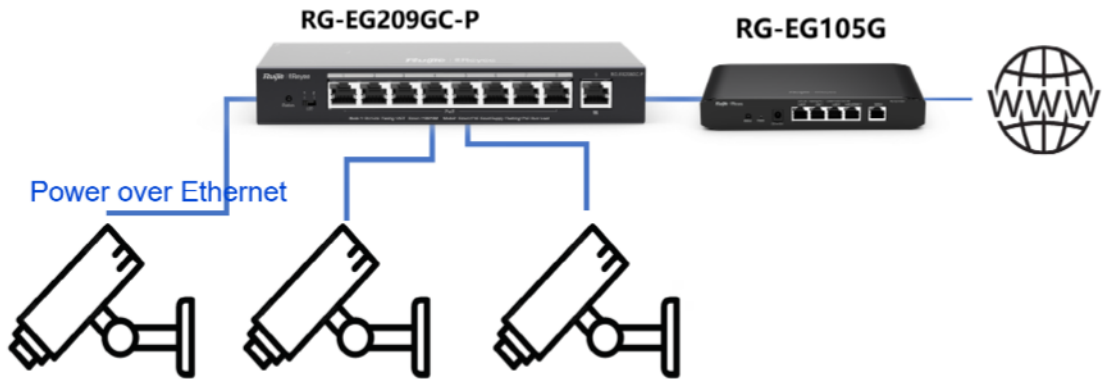
Model	RG-ES205GC-P	RG-ES209GC-P	RG-ES218GC-P	RG-ES226GC-P
Switching capacity	10Gbps	18Gbps	36Gbps	52Gbps
Packet forwarding rate	7.44Mpps	13.392Mpps	26.784Mpps	38.688Mpps
Surge protection	Common mode: 4KV	Common mode: 4KV	Common mode: 4KV	Common mode: 4KV
Electrostatic discharge	Air discharge: 6KV Contact discharge: 4KV	Air discharge: 6KV Contact discharge: 4KV	Air discharge: 6KV Contact discharge: 4KV	Air discharge: 6KV Contact discharge: 4KV
Power consumption	≤60W	≤130W	≤280W	≤400W
Power supply	External power adapter	External power adapter	Built-in power supply	Built-in power supply
Dimensions (W x D x H)	148*78*26mm	202*108*28mm	300*230*43.6mm	440*289*43.6mm
MTBF	>200K	>200K	>200K	>200K
Operating environment				
Operating temperature	0 to 40°C	0 to 40°C	0 to 40°C	0 to 40°C
Storage temperature	-40~70°C	-40~70°C	-40~70°C	-40~70°C
Operating humidity	10% to 90% RH	10% to 90% RH	10% to 90% RH	10% to 90% RH
Storage humidity	5% to 95% RH	5% to 95% RH	5% to 95% RH	5% to 95% RH
Software features				
MAC capacity	2K	4K	8K	8K
Static MAC address	16	16	16	16
VLAN	Support 802.1Q VLAN			
Port management	Support port status display, port traffic statistics, PoE port output power status, port duplex / negotiation rate configuration, flow control configuration, PoE output on/off			
Security	Support broadcast storm suppression, port speed limit, port isolation			
L2 features	Support port mirroring, loop protection, cable detection			
Management	Support management and configuration through web management interface, Ruijie Cloud platform and mobile app			

Non-PoE Models

Model	RG-ES216GC	RG-ES224GC
Hardware specifications		
Ports	16 10/100/1000Base-T ports	24 10/100/1000Base-T ports
Switching capacity	32Gbps	48Gbps
Package forwarding rate	24Mpps	36Mpps
Surge protection	Common mode: 6KV	Common mode: 6KV
Power consumption	<12W	<14W
Power supply	Built-in power supply	Built-in power supply
Dimensions (W x D x H)	440x165x44mm	440x165x44mm
MTBF	>200K	>200K
Operating environment		
Operating temperature	0 to 50°C	0 to 50°C
Storage temperature	-40~70°C	-40~70°C
Operating humidity	10% to 90% RH	10% to 90% RH
Storage humidity	5% to 95% RH	5% to 95% RH
Software features		
MAC capacity	8K	8K
Static MAC address	16	16
VLAN	Support 802.1Q VLAN	
Port management	Support port status display, port traffic statistics, port duplex / negotiation rate configuration, flow control configuration	
Security	Support broadcast storm suppression, port speed limit, port isolation, DHCP Snooping	
L2 features	Support port mirroring, loop protection, cable detection	
Management	Support management and configuration through web management interface, Ruijie Cloud platform and mobile app	

Typical Application

Small and Medium-sized Surveillance Network



Ordering Information

Model	Description
RG-ES205GC-P	4 10/100/1000Base-T ports (PoE/PoE+), 1 10/100/1000Base-T port
RG-ES209GC-P	8 10/100/1000Base-T ports (PoE/PoE+), 1 10/100/1000Base-T port
RG-ES218GC-P	16 10/100/1000Base-T ports (PoE/PoE+), 2 SFP Base-X ports
RG-ES226GC-P	24 10/100/1000Base-T ports (PoE/PoE+), 2 SFP Base-X ports
RG-ES216GC	16 10/100/1000Base-T ports, support Web/App/Ruijie Cloud management
RG-ES224GC	24 10/100/1000Base-T ports, support Web/App/Ruijie Cloud management



Ruijie Networks Co., Ltd.

Technical Support: <http://bbs.ruijiery.com>

Technical Service Center: +86-400-100-0078 (China)

Web: www.reyee.cc www.ruijiery.com

