

3CH Active HD Video Receiver

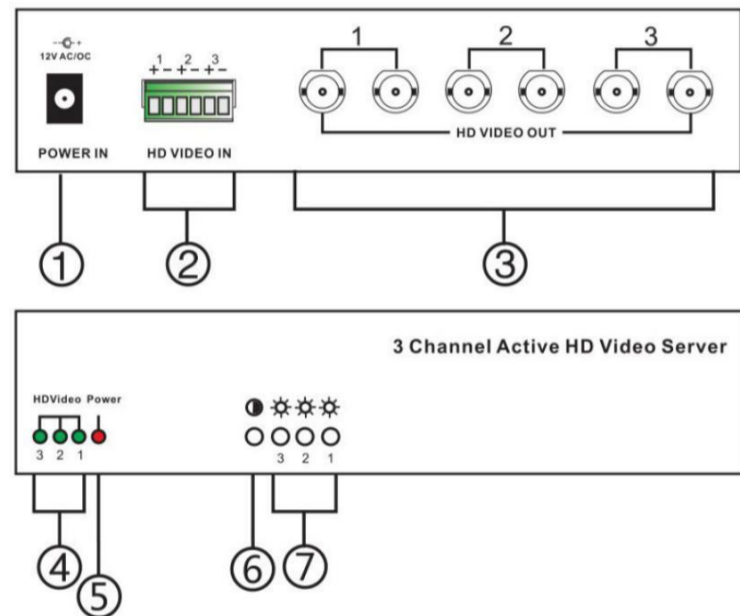
STR103AR-HD

The product is a 3channel active HD Video Receiver. The product adopts Cat5/5e/6 UTP cable as transmission medium. It can real-time receive 3CH HD video signal. It can work together with passive transmitter. It features long transmission distance, good transmission effect, super anti-interference, widely CCTV surveillance system.

Features:

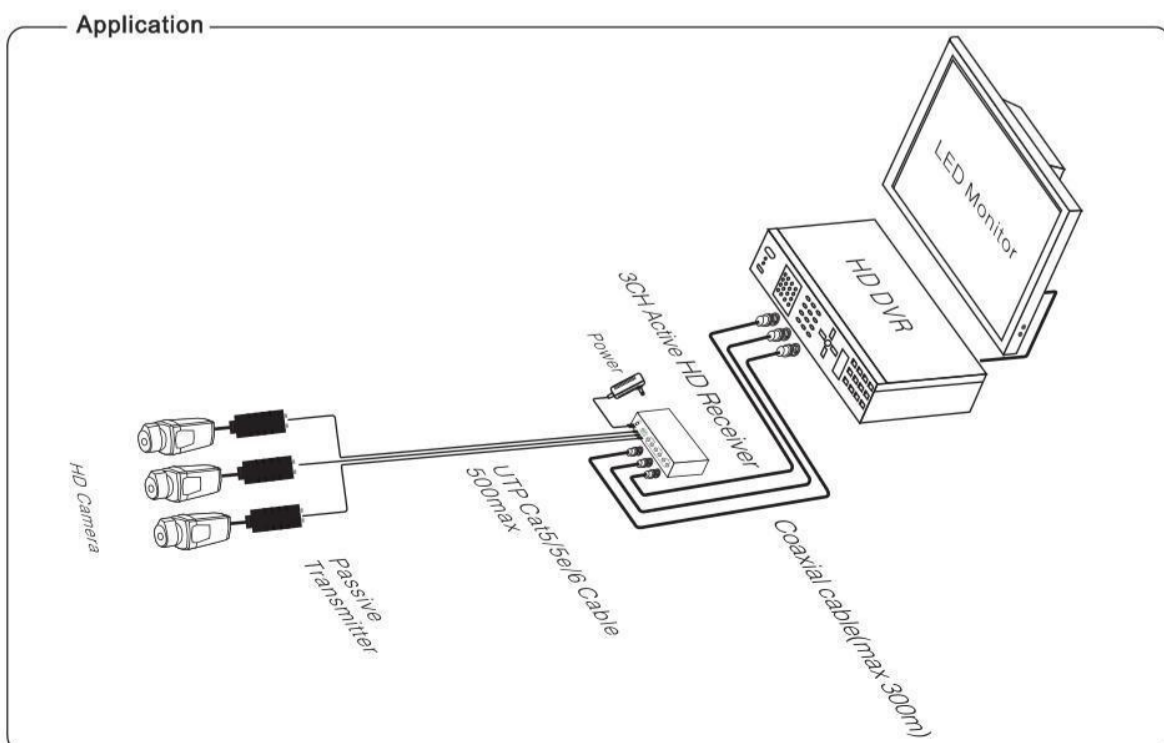
- > 1pc 3CH Active HD video Receiver+2pcs rack-mounting ear +8pcs rack-mounting screws+1pc Phillips screwdriver
- > Power Input: DC 9V~40V.
- > Transmission: real-time transfer CVI/TVI/AHD video signal with high quality video.
- > Transmission distance with passive transmitter:
 - HDCVI 720p: 500m/ 1080P: 350m
 - HDTVI 720P/1080P: 300m
 - AHD 720P: 500m/ 1080P: 300m
 - Analog video: 650m
- > BNC output max 300m for coaxial cable.
- > Function: adopts UTP cable for the transmission, support knob adjustment.
- > Protection: wide range voltage DC power input, strong surge protection and anti-interference.
- > Structure: delicate design, support MIT rack.

Board Diagram:



- ① Power supply block: Power supply input.
- ② Green terminal block: HD Video in.
- ③ 3BNC-M: HD Video Output.
- ④ HD Video LED: HD Video.
- ⑤ Power LED: Power.
- ⑥ Knob adjustment: Contrast.
- ⑦ Knob adjustment: Brightness.

Typical Application:



Receiver

3CH Active HD Video

Specifications:

- Transmission Channel:** 3CH
- Output:** 6CH
- Volage Range:** DC9V~40V
- Power Rate:** <3W
- Coaxial Port:** Female BNC
- UTP Cable Port:** 6pin port
- Video System:** HDCVI/HDTVI/AHD/Analog
- Signal Bandwidth:** 65MHz
- Anti-interference:** >75dB

HD video transmission distance (Passive with active):

- >HDCVI 720P:500M/1080P:350m
- >HDTVI 720P/1080P: 300m
- >AHD 720P: 500m/ 1080P: 300m
- >Analog: 650m

- Power LED:** RED
- Signal LED:** Green.
- Power Port Protection:** 2KV/1KA Per: IEC61000-4-5
- Coaxial Port Protection:** 2KV Per: IEC61000-4-5
- RJ45 Port Protection:** 2KV(Different Mode)
4KV(Common Mode)
Per: IEC61000-4-5

ESD:

- >1a contact discharge Level 3
- > 1b air discharge Level3
- >Per: IEC61000-4-2

- Working Temperature:** 0° C-55° C
- Storage Temperature:** -20° C-80° C
- Humidity:** 0%-95%
- Size:** 180x35x60mm
- Case:** Aluminum
- Color:** Black
- N.W.:** 400g
- MTBF:** >20000H