

FX-PCV1615/1626/1628/1630 Programmable VAV Box Controllers Installation Instructions

FX-PCV1615-0, FX-PCV1626-0, FX-PCV1628-0, FX-PCV1630-0

Part No. 24-10143-357, Rev. E
Issued April 2016

Refer to the [QuickLIT website](#) for the most up-to-date version of this document.

Applications

The FX-PCV1615/1626/1628/1630 programmable digital controllers are designed for controlling VAV boxes. These FX-PCV controllers feature combinations of an integral digital pressure sensor (DPT), a damper actuator, and a 32-bit microprocessor. The FX-PCV1626 has an actuator but does not contain a DPT. The FX-PCV1628 model has a DPT but does not contain an actuator. The controllers' small package size facilitates quick field installation and efficient use of space without compromising high-tech control performance. These FX-PCV controllers connect easily to the wired and wireless network sensors for zone and discharge air temperature sensing.

Switchable Communications Protocols

By default, the *Metasys*FX-PC family controllers and network sensors communicate using the standard BACnet® protocol, based on the ANSI/ASHRAE 135-2004.

The BACnet protocol is a standard for ANSI, ASHRAE, and the International Standards Organization (ISO) for building controls.

FX-PCG, FX-PCX, and FX-PCV controllers are BTL-tested and listed as BACnet Application Specific Controllers (B-ASCs). FX-PCA field controllers are BTL-listed as BACnet Advanced Application Controllers (B-AACs). The NS Series Sensors are BTL-listed as BACnet Smart Sensors (B-SSs).

Release 10.1 of FX-PCT and later can be used to switch the Field Bus communications protocol in FX-PC Controllers to be either the standard BACnet Master-Slave/Token-Passing (MS/TP) or the N2 protocol. BACnet MS/TP is the default communications protocol for all new controllers. Switchable communications protocols provide a cost-effective upgrade and modernization path for customers with existing N2 controllers. The *Modernization Guide for Legacy N2 Controllers (LIT-12012045)* and the controller-specific documentation provide installation and commissioning support and include tips for efficient and safe replacement. Refer to the *N2 Compatibility Options* chapter of the *Controller Tool Help (LIT-12011147)* for information about mapping N2 Objects in controllers with switchable communications protocols.

The N2-capable FX-PC controllers can be used as functional replacements for legacy N2 controllers. The N2-capable FX-PC controllers:

- have the I/O quantities and characteristics of the FX-PC family controllers
- must be programmed with FX-PCT, which has programming capabilities that are similar (but not identical) to HVACPro, GX9100, GPL, and other legacy tools
- support SA Bus devices
- support FX-WRZ wireless sensors from the controller using the FX-WRZ7860 receiver when configured for BACnet MS/TP communication

The N2-capable FX-PC controllers:

- do not support Zone Bus (for example, TMZ sensors and M100 actuators)
- do not support pass through in the commissioning mode
- do not support remote downloading or commissioning using BACnet routing
- do not support wireless connection to the N2 bus

North American Emissions Compliance

United States

This equipment has been tested and found to comply with the limits for a Class A digital device pursuant to Part 15 of the FCC Rules. These limits are designed to provide reasonable protection against harmful interference when this equipment is operated in a commercial environment. This equipment generates, uses, and can radiate radio frequency energy and, if not installed and used in accordance with the instruction manual, may cause harmful interference to radio communications. Operation of this equipment in a residential area may cause harmful interference, in which case the users will be required to correct the interference at their own expense.

Canada

This Class (A) digital apparatus meets all the requirements of the Canadian Interference-Causing Equipment Regulations.

Cet appareil numérique de la Classe (A) respecte toutes les exigences du Règlement sur le matériel brouilleur du Canada.

Materials and Special Tools Needed

- several 6 mm (1/4 in.) female spade terminals for input and output wiring and crimping tool or spade mounted terminal blocks
- small straight-blade screwdriver for securing wires in the terminal blocks
- 8 mm (5/16 in.) wrench or 10 mm (3/8 in.) 12-point socket to tighten the square coupler bolt
- several shims or washers to mount the FX-PCV
- power screwdriver, 100 mm (4 in.) extension socket, punch, drill, and 3.5 mm (9/64 in.) drill bits to mount the FX-PCV
- pliers to open and close the damper
- required length of 3.97 mm (5/32 in.) ID pneumatic tubing and barbed fittings

Installation

Observe these guidelines when installing an FX-PCV1615/1626/1628/1630 controller:

- Transport the FX-PCV controller in the original container to minimize vibration and shock damage to the FX-PCV controller.
- Do not drop the FX-PCV controller or subject it to physical shock.

Parts Included

- one FX-PCV1615/1626/1628/1630 controller with removable FC and SA buses and power terminal blocks
- one installation instructions sheet
- one self-drilling No. 10 x 25 mm (1 in.) screw
- The FX-PCV1628 model includes a 1.25 inch extended length screw.

Mounting

Observe these guidelines when mounting an FX-PCV:

Important: When the air supply to the VAV box is below 10°C (50°F), make sure that any condensation on the VAV box, particularly on the damper shaft, does not enter the FX-PCV electronics. Mount the FX-PCV vertically above the damper shaft to allow any shaft condensation to fall away from the FX-PCV. Additional measures may be required in some installations.

- Ensure that the mounting surface can support the FX-PCV and any user-supplied enclosure.
- Mount the FX-PCV on a hard, even surface whenever possible.
- Use shims or washers to mount the FX-PCV securely and evenly on the mounting surface.
- Mount the FX-PCV in an area free of corrosive vapors that matches the ambient conditions specified in the [Technical Specifications](#) section.
- Provide sufficient space around the FX-PCV for cable and wire connections and adequate ventilation through the controller (at least 50 mm [2 in.] on the top, bottom, sides and front of the controllers).
- Do not mount the FX-PCV in areas where electromagnetic emissions from other devices or wiring can interfere with controller communication.
- Avoid mounting the FX-PCV on surfaces with excessive vibration.
- When using the FX-PCV1615/1626/1628/1630 to replace an FX-PCV1610 or FX-PCV1620 controller, plug the unused open hole in the duct work from the original FX-PCV mounting if possible. Plug the hole using the sheet metal screw from the original installation (preferred option).

On panel or enclosure mount applications, observe these additional guidelines:

- Do not install the FX-PCV in an airtight enclosure.
- Mount the FX-PCV so that the enclosure walls do not obstruct cover removal or ventilation through the controller.
- Mount the FX-PCV so that the power transformer and other devices do not radiate excessive heat to the controller.

To mount the FX-PCV1615/1626/1628/1630 controllers:

1. Set all the switches on the controller to their known settings.
2. Place the FX-PCV controller in the proper mounting position on the damper shaft so that the wiring

connections are easily accessible. Make sure the FX-PCV controller base is parallel to the VAV box (perpendicular to the damper shaft). If needed, use a spacer to offset tipping of the FX-PCV controller caused by the shaft bushings.

Note: Use the alignment marks to center the captive spacer to ensure sufficient FX-PCV movement in either direction.

3. Secure the self-drilling No. 10 screw through the captive spacer ([Figure 2](#)) with a power screwdriver and 100 mm (4 in.) extension socket. Otherwise, use a punch to mark the position of the shoulder washer, and then drill a hole into the VAV box using a 3.5 mm (9/64 in.) drill bit. Insert the mounting screw and tighten against the spacer. For the FX-PCV1628 models, use the additional 1.25 inch screw to mount to one of the two holes provided near the actuator opening ([Figure 2](#)) to mount the controller.

Important: Do not overtighten the screw, or the threads may strip. If mounting to the VAV box, make sure the screws do not interfere with damper blade movement.

4. Locate the damper position using the typical marking on the end of the damper shaft as shown in figure below.

Figure 1: Typical Damper End Shaft Icons

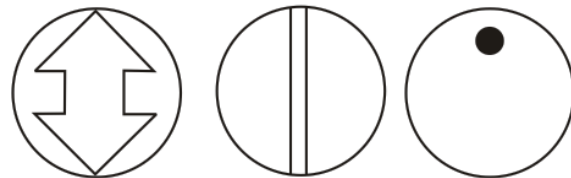


FIG:d_shft

5. Note the direction, clockwise (CW) or counterclockwise (CCW), required to close the damper. Grasp the damper shaft firmly with pliers, and either manually close the damper for 90° boxes or manually open the damper for 45° or 60° boxes.
6. Push down and hold the Manual Override button ([Figure 2](#)) and turn the FX-PCV controller coupler until it contacts the mechanical end-stop at either the full-closed (90° boxes) or full-open (45° and 60° boxes) position.
7. If the damper for a 90° box closes CCW, rotate the coupler to the CCW mechanical limit. If the damper for a 90° box closes CW, rotate the coupler to the CW mechanical limit. The open end-stop is automatically set for 90° boxes. For 45° and 60° boxes, hard stops must be provided at both full-closed and full-open damper positions. By installing the FX-PCV controller at the full-open position, the FX-PCV controller provides the open

stop for 45° and 60° boxes. The closed damper seal provides the full-closed stop.

8. All models are compact in size and are easily installed on VAV boxes. The FX-PCV1615/1626/1630 models have either a round shaft up to 13 mm in diameter or a 10 mm square shaft. Tighten the square coupler bolt to the shaft using an 8 mm (5/16 in.) wrench or 10 mm (3/8 in.) 12-point socket. Tighten to 10.5 to 11.5 N·m (95 to 105 lb·in).
9. Skip this step if you are installing the FX-PCV1626 model. For all other models, loop the pneumatic tubing (supplied by field personnel) to include a trap for condensation. Attach the needed length of tubing (supplied and installed by field personnel) to the dual port fitting on the FX-PCV controller and the other ends of the tubing to the pressure transducer in the VAV box application (*Figure 2*).

Note: The FX-PCV uses a digital non-flow pressure sensor (all models except the FX-PCV1626) with bidirectional flow operation, which allows you to connect the high- and low-pressure DP tubes to either barbed fitting on the FX-PCV controller. You do not need to make a specific high- or low-side connection when you attach the tubing to the barbed fittings on the FX-PCV.

10. Push the Manual Override button, and turn the actuator coupling manually to ensure that the actuator can rotate from full-closed to full-open positions without binding.
11. Complete the mounting by rotating the damper to the full-open position.

CAUTION

Risk of Property Damage. Rotate the damper to the full-open position before starting the air handler. Failure to rotate the damper to the full-open position may result in damage to the VAV box or ductwork when the air handler is started.

Mise En Garde: Risque de dégâts matériels. Faire pivoter le registre pour le placer en position d'ouverture complète avant de démarrer l'unité de traitement d'air. Le non-respect de cette directive risque d'endommager le caisson de l'unité à volume d'air variable (VAV) ou le réseau de conduites au démarrage de l'unité de traitement d'air.

Table 1: FX-PCV1615/1626/1628/1630 Programmable VAV Box Feature Callout Numbers and Descriptions

| Callout | Physical Features: Description and References |
|---------|---|
| 1 | 24 VAC, Class 2 Supply Power Terminal Block (See Supply Power Terminal Block) |
| 2 | Device Address DIP Switch Block (See Setting the Device Address) |
| 3 | Binary Outputs, 24 VAC Triacs (See Table 3) |
| 4 | Configurable Outputs: Voltage Analog Output (0–10 VDC) and Binary Output (24 VAC Triac) (FX-PCV1630, 1626, and 1628 only) (See Table 3) |
| 5 | Dual Port Fitting (See Figure 2) |
| 6 | Manual Override Button (See Mounting) |
| 7 | Controller Coupler (See Mounting) |
| 8 | Coupler Bolt (See Mounting) |
| 9 | Universal Input: Voltage Analog Input (0–10 VDC) Resistive Analog Inputs (0–600k ohm) (See Table 3): 0–2k Potentiometer RTD: 1k Nickel, 1k Platinum, or A99B SI NTC: 10K Type L (10K Johnson Controls Type II is equivalent to Type L) or 2.252K Type II Dry Contact Binary Input |
| 10 | FC Bus Terminal Block. May also be used for N2 connections. See FC Bus Terminal Block (Or N2 Protocol As Required) |
| 11 | EOL (End-of-Line) Switch (See Setting the EOL Switch) |
| 12 | SA Bus Terminal Block (See SA Bus Terminal Block) |
| 13 | Modular Port (FC Bus) RJ-12 6-Pin Modular Jack (See Modular Ports) |
| 14 | Captive Spacer and Screw (See Figure 2) |
| 15 | Modular Port (SA Bus) RJ-12 6-Pin Modular Jack (See Modular Ports) |
| 16 | LED Status Indicators (See Table 8) |

Wiring

CAUTION

Risk of Electric Shock. Disconnect the power supply before making electrical connections to avoid electric shock.

Mise En Garde: Risque de décharge électrique. Débrancher l'alimentation avant de réaliser tout raccordement électrique afin d'éviter tout risque de décharge électrique.

Important: Do not connect supply power to the controller before finishing wiring and checking all wiring connections. Short circuits or improperly connected wires can result in damage to the controller and void any warranty.

Important: Do not exceed the controller electrical ratings. Exceeding controller electrical ratings can result in permanent damage to the controller and void any warranty.

Important: Use copper conductors only. Make all wiring in accordance with local, national, and regional regulations.

Important: Electrostatic discharge can damage controller components. Use proper electrostatic discharge precautions during installation, setup, and servicing to avoid damaging the controller.

For detailed information on configuring and wiring an Bus, Bus, or Bus, refer to the *FX-PC Series Controllers MS/TP Communications Bus Technical Bulletin (LIT-12011670)*.

FX-PCV Terminals and Bus Ports

See [Figure 2](#) for input and output terminal and bus port locations on the FX-PCV1615/1626/1628/1630 controllers. Observe the following guidelines when wiring an FX-PCV controller.

Input and Output Terminals

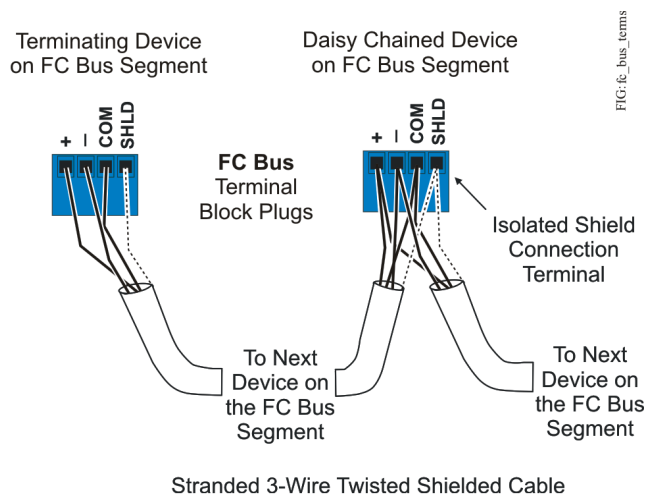
The input spade terminals are located on the side of the FX-PCV near the FC Bus terminal block. The output spade terminals are located on the opposite side of the controller near the power supply terminal block. See [Table 3](#) for more information.

FC Bus Terminal Block (Or N2 Protocol As Required)

The FC Bus terminal block is a blue, removable, 4-terminal plug that fits into a board-mounted jack.

Wire the removable FC Bus terminal block plugs on the FX-PCV and other controllers in a daisy-chain configuration using 3-wire twisted, shielded cable as shown in [Figure 3](#). See [Table 5](#) for more information.

Figure 3: FC Bus Terminal Block Wiring



Note: The Shield terminal (SHLD) on the FC Bus terminal block is isolated and can be used to connect the cable shields on the bus ([Figure 3](#)).

SA Bus Terminal Block

The SA Bus terminal block is a brown, removable, 4-terminal plug with +15 VDC that fits into a board-mounted jack.

Wire the removable SA Bus terminal block plugs on the FX-PCV and other SA Bus devices in a daisy-chain configuration using 4-wire twisted, shielded cable as shown in [Figure 4](#). See [Table 5](#) for more information.

Figure 4: SA Bus Terminal Block Wiring

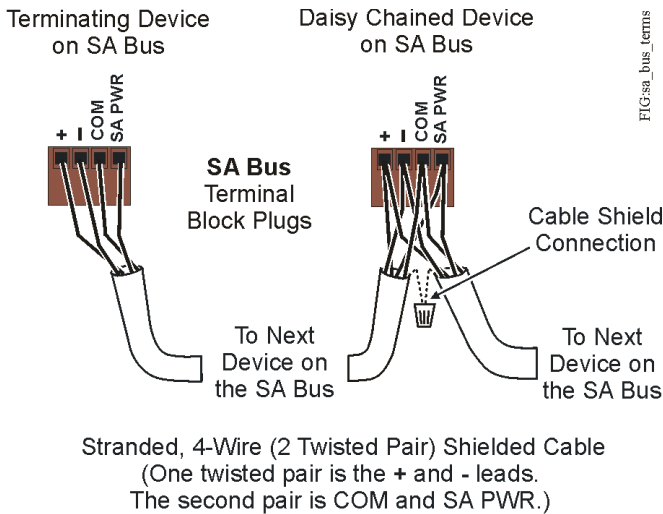


FIG:sa_bus_terms

Supply Power Terminal Block

The 24 VAC supply power terminal block is a gray, removable, 2-terminal plug that fits into a board-mounted jack on the upper left of the FX-PCV controller.

Wire the 24 VAC supply power wires from the transformer to the HOT and COM terminals on the terminal plug as shown in [Figure 6](#). See [Table 5](#) for more information.

Figure 6: 24 VAC Supply Power Terminal Block Wiring

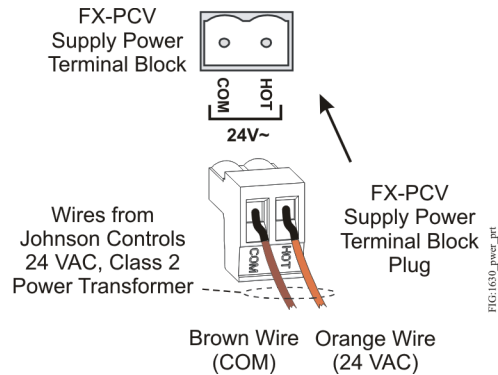


FIG:1630_power_plt

Modular Ports

The modular SA Bus and FC Bus ports on the face of the FX-PCV ([Figure 2](#)) are RJ-12 (6-position) modular jacks as shown in [Figure 5](#).

Figure 5: Pin Number Assignments for Sensor (SA Bus and FC Bus) Ports on FX-PCV1615/1626/1628/1630 Controllers

Sensor, SA Bus, or FC Bus Port (RJ-12 Modular Jack)

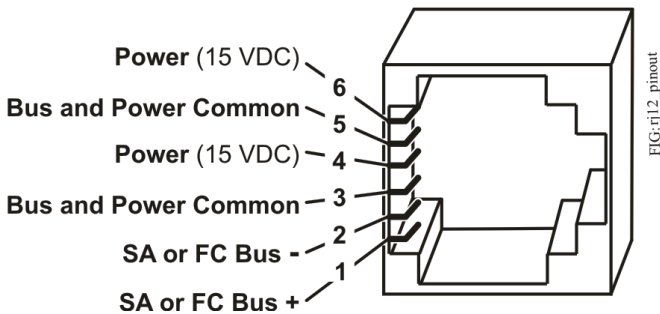


FIG:rj12_pinout

The modular SA Bus port provides a connection for the Commissioning Converter (FX-BTCVT), FX-ATV7003 VAV Balancing Tool, FX-DIS1710 Local Controller Display, FX-WRZ78xx Series One-to-One Wireless Transmitter, and NS Series sensors. The modular FC Bus port provides a connection for the Bluetooth Commissioning Converter and the FX-ZFR Wireless Router.

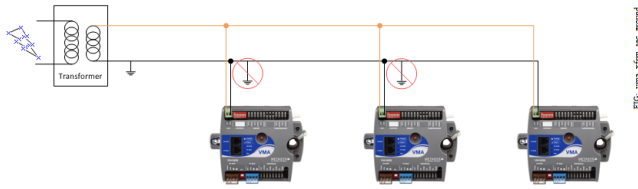
Note: Do not use the modular SA Bus port and the terminal block SA Bus simultaneously. Only use one of these connections at a time.

Important: Exercise caution while rewiring the power plug when replacing an FX-PCV1610 or FX-PCV1620 controller with an FX-PCV1615/1626/1628/1630 controller. The supply power terminal on a new FX-PCV is a two-position terminal block ([Figure 6](#)). An FX-PCV1610 or FX-PCV1620 controller uses a three-position terminal block, and the center position is not used. Stray wire strands may make contact and cause a short circuit across the 24 VAC power supply.

The supply power wire colors may be different on transformers from other manufacturers. Refer to the transformer manufacturer's instructions and the project installation drawings for wiring details.

Important: Connect 24 VAC supply power to the FX-PCV and all other network devices so that transformer phasing is uniform across the network devices. Powering network devices with uniform 24 VAC supply power phasing reduces noise, interference, and ground loop problems. The FX-PCV does not require an earth ground connection. However, when grounding the secondary of the 24 VAC transformer is required, only one connection to ground should be made near the transformer. See the following figure.

Figure 7:



CAUTION

Improper wiring of this terminal may cause a short circuit across the 24 VAC power supply on -1 models.

To wire the FX-PCV1615/1626/1628/1630 controller:

1. Terminate wiring according the appropriate figure in [Termination Diagrams](#).
2. Wire network sensors and other devices to the FX-PCV's SA Bus.
3. Wire the FC Bus in a daisy chain.
4. Ensure that the FX-PCV's device address DIP switches are set to the appropriate device address. (See [Setting the Device Address](#).) Also, activate the switch if necessary.
5. Connect the FX-PCV controller to 24 VAC, Class 2 power.

Note: If you are using the FX-PCV1615/1626/1628/1630 controller with the FX-ZFR Series Wireless Field Bus System, refer to the *FX-ZFR1811 Wireless Field Bus Router Installation Instructions (Part No. 24-10325-29)* or the .

FX-PCV Terminal Functions, Ratings, Requirements, and Wiring Guidelines

Input and Output Wiring Guidelines

[Table 3](#) provides information about the functions, ratings, and requirements for the FX-PCV input and output terminals, and [Table 4](#) provides guidelines for wire sizes and cable lengths.

Termination Diagrams

A set of termination diagrams provides details for wiring inputs and outputs to the controllers. See the figures in this section for the applicable termination diagrams.

In addition to the wiring guidelines in [Table 3](#), observe these guidelines when wiring FX-PCV inputs and outputs:

- Run all low-voltage wiring and cables separate from high-voltage wiring.
- All input and output cables, regardless of wire size or number of wires, should consist of twisted, insulated, and stranded copper wires.
- Shielded cable is not required for input or output cables.
- Shielded cable is recommended for input and output cables that are exposed to high electromagnetic or radio frequency noise.
- Cable runs of less than 30 m (100 ft) typically do not require an offset in the input/output software setup. Cable runs over 30 m (100 ft) may require an offset in the input/output software setup.

Maximum Cable Length versus Load Current

Use [Figure 8](#) to estimate the maximum cable length relative to the wire size and the load current (in mA) when wiring inputs and outputs.

FC and SA Bus and Supply Power Wiring Guidelines

[Table 5](#) provides information about terminal block functions, ratings, and requirements.

[Table 5](#) also provides wire size, cable type, and cable length guidelines for wiring the FX-PCV communication buses and supply power.

In addition to the guidelines in [Table 5](#), observe these guidelines when wiring the SA/FC Buses and supply power:

- Run **all** low-voltage wiring and cables separate from high-voltage wiring.
- All FC and SA Bus cables, regardless of wire size, should be twisted, insulated, stranded copper wire.
- Shielded cable is strongly recommended for all FC and SA Bus cables.
- Refer to the *FX-PC Series Controllers MS/TP Communications Bus Technical Bulletin (LIT-12011670)* for detailed information regarding wire size and cable length requirements for the FC and SA Buses.

Table 2: Termination Details

| Type of Field Device | Type of Input/Output | Termination Diagrams |
|---|----------------------|---|
| Voltage Input - External Source | UI | |
| Voltage Input - Internal Source | UI | |
| Voltage Input (Self-Powered) | UI | |
| Temperature Sensor | UI | |
| Dry Contact | UI | |
| 0–10 VDC Output to Actuator (External Source) | CO | <p>Add Jumper from 24VAC Com to only one AO Com per Transformer</p> |

Table 2: Termination Details

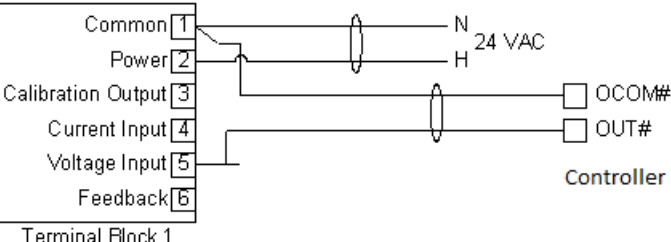
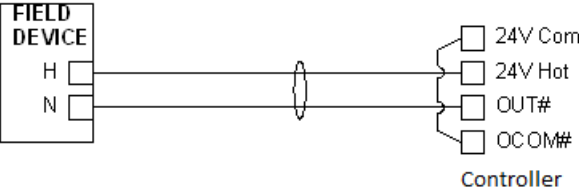
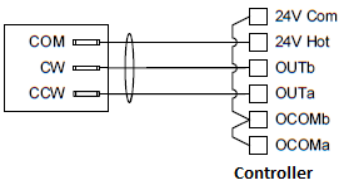
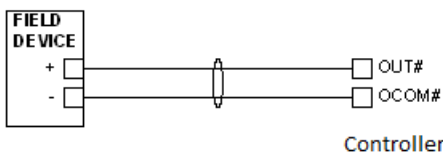
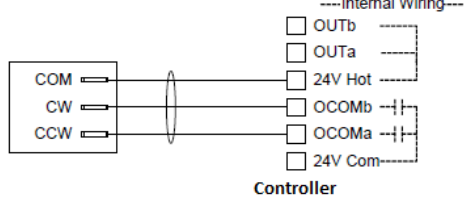
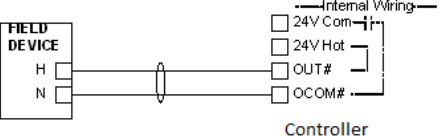
| Type of Field Device | Type of Input/Output | Termination Diagrams |
|--|----------------------|--|
| 0–10 VDC Output to Actuator (Internal Source) | CO |  <p>Terminal Block 1</p> |
| 24 VAC Triac Output (Switch Low, External Source) | CO |  <p>Note: Applies to CO4 and CO5.</p> |
| Incremental Control to Actuator (Switch Low, External Source) | CO |  <p>Note: Applies to CO4 and CO5.</p> |
| Analog Output (Voltage) | CO |  |
| Incremental Control to Actuator (Switch Low, Internally Sourced) | BO |  <p>Note: Applies to BO3 (for FX-PCV1630 only), BO1, and BO2.</p> |
| 24 VAC Binary Output (Switch Low, Internally Sourced) | BO |  |

Table 2: Termination Details

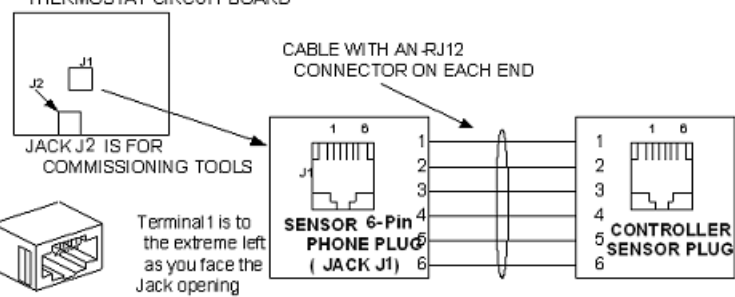
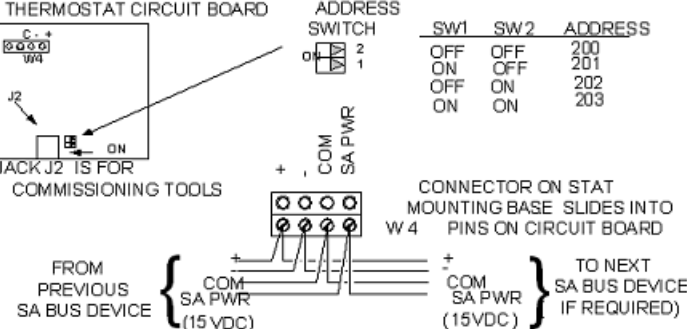
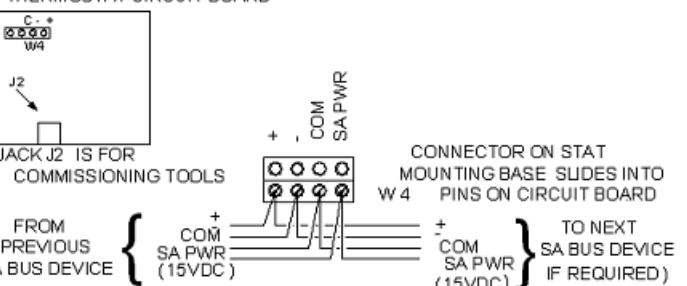
| Type of Field Device | Type of Input/Output | Termination Diagrams | | | | | | | | | | | | | | | | | | |
|--|----------------------|---|----------------|--|---------|-----|-----|--|-----|-----|-----|----|-----|-----|-----|----|-----|----|----|-----|
| <p>Network Stat with Phone Jack (Fixed Address = 199)</p> | <p>SA Bus</p> | <p>THERMOSTAT CIRCUIT BOARD</p>  <p>JACK J2 IS FOR COMMISSIONING TOOLS</p> <p>Terminal 1 is to the extreme left as you face the Jack opening Tab Notch down</p> <p>CABLE WITH AN RJ12 CONNECTOR ON EACH END</p> <p>SENSOR 6-Pin PHONE PLUG (JACK J1)</p> <p>CONTROLLER SENSOR PLUG</p> | | | | | | | | | | | | | | | | | | |
| <p>Network Stat with Terminals Addressable</p> | <p>SA Bus</p> | <p>THERMOSTAT CIRCUIT BOARD</p>  <p>JACK J2 IS FOR COMMISSIONING TOOLS</p> <p>FROM PREVIOUS SA BUS DEVICE { COM SA PWR (15VDC) }</p> <p>TO NEXT SA BUS DEVICE IF REQUIRED { COM SA PWR (15VDC) }</p> <p>CONNECTOR ON STAT MOUNTING BASE SLIDES INTO W 4 PINS ON CIRCUIT BOARD</p> <table border="1" data-bbox="958 661 1201 777"> <thead> <tr> <th colspan="2">ADDRESS SWITCH</th> <th>ADDRESS</th> </tr> <tr> <th>SW1</th> <th>SW2</th> <th></th> </tr> </thead> <tbody> <tr> <td>OFF</td> <td>OFF</td> <td>200</td> </tr> <tr> <td>ON</td> <td>OFF</td> <td>201</td> </tr> <tr> <td>OFF</td> <td>ON</td> <td>202</td> </tr> <tr> <td>ON</td> <td>ON</td> <td>203</td> </tr> </tbody> </table> | ADDRESS SWITCH | | ADDRESS | SW1 | SW2 | | OFF | OFF | 200 | ON | OFF | 201 | OFF | ON | 202 | ON | ON | 203 |
| ADDRESS SWITCH | | ADDRESS | | | | | | | | | | | | | | | | | | |
| SW1 | SW2 | | | | | | | | | | | | | | | | | | | |
| OFF | OFF | 200 | | | | | | | | | | | | | | | | | | |
| ON | OFF | 201 | | | | | | | | | | | | | | | | | | |
| OFF | ON | 202 | | | | | | | | | | | | | | | | | | |
| ON | ON | 203 | | | | | | | | | | | | | | | | | | |
| <p>Network Stat with Terminals (Fixed Address = 199)</p> | <p>SA Bus</p> | <p>THERMOSTAT CIRCUIT BOARD</p>  <p>JACK J2 IS FOR COMMISSIONING TOOLS</p> <p>FROM PREVIOUS A BUS DEVICE { COM SA PWR (15VDC) }</p> <p>TO NEXT SA BUS DEVICE IF REQUIRED { COM SA PWR (15VDC) }</p> <p>CONNECTOR ON STAT MOUNTING BASE SLIDES INTO W 4 PINS ON CIRCUIT BOARD</p> | | | | | | | | | | | | | | | | | | |

Table 3: I/O Terminal Blocks, Functions, Ratings, Requirements, and Cables

| Terminal Block Label | Terminal Labels | Function, Ratings, and Requirements | To Determine Wire Size and Maximum Cable Length ¹ |
|-----------------------|-----------------|---|--|
| UNIVERSAL (Inputs) | +15 V | 15 VDC Power Source for active (3-wire) input devices connected to the Universal INn terminals. Provides 35 mA total current. | Same as (Universal) INn. Note: Use 3-wire cable for devices that source power from the +15 V terminal. |
| | INn | Analog Input - Voltage Mode (0–10 VDC) 10 VDC maximum input voltage Internal 75k ohm Pulldown | See Guideline A in Table 4 . |
| | | Analog Input - Resistive Mode (0–600k ohm) Internal 12 V, 15k ohm pull up Qualified Sensors: 0–2k potentiometer, RTD (1k Nickel [Johnson Controls sensor], 1k Platinum, and A99B Silicon Temperature Sensor) Negative Temperature Coefficient (NTC) Sensor 10K Type L (10K Johnson Controls Type II is equivalent to Type L) or 2.252K Type II | See Guideline A in Table 4 . |
| | | Binary Input - Dry Contact Maintained Mode 1 second minimum pulse width Internal 12 V, 15k ohm pull up | See Guideline A in Table 4 . |
| | ICOMn | Universal Input Common for all Universal IN terminals Note: All Universal ICOMn terminals are isolated from all other commons on the -0 models. The -1 model ICOMn terminals are isolated from FC BUS COM terminals only. | Same as (Universal) INn. |
| BINARY (Outputs) | OUTn | Binary Output - 24 VAC Triac (Internal Power) Sources internal 24 VAC power (24~ HOT) | See Guideline C in Table 4 . |
| | OCOMn | Binary Output - 24 VAC Triac (Internal Power) Connects OCOMn to 24~ COM when activated. Internal Power Source: 30 VAC maximum voltage to load 0.5 A maximum output current 1.3 A at 25% duty cycle 40 mA minimum load current | See Guideline C in Table 4 . |

Table 3: I/O Terminal Blocks, Functions, Ratings, Requirements, and Cables

| Terminal Block Label | Terminal Labels | Function, Ratings, and Requirements | To Determine Wire Size and Maximum Cable Length ¹ |
|---------------------------|-------------------|---|--|
| CONFIGURABLE (Outputs) | OUT _n | Analog Output - Voltage Mode (0–10 VDC) 10 VDC maximum output voltage 10 mA maximum output current External 1k to 50k ohm load required | See Guideline A in Table 4 . |
| | | Binary Output 24 VAC Triac Connects OUT to OCOM when activated. External Power Source: 30 VAC maximum voltage to load 0.5 A maximum output current 1.3 A at 25% duty cycle 40 mA minimum load current | See Guideline C in Table 4 . |
| | OCOM _n | Analog Output Signal Common: All Configurable Outputs defined as Analog Outputs share a common, which is isolated from all other commons except the Binary Input common. Binary Output Signal Common: All Configurable Outputs defined as Binary Outputs are isolated from all other commons, including other Configurable Output commons. | Same as (Configurable) OUT _n . |

¹ [Table 4](#) defines cable length guidelines for the various wire sizes that may be used for input and output wiring.

Table 4: Cable Length Guidelines for Recommended Wire Sizes

| Guideline | Wire Size/Gauge and Type | Maximum Cable Length and Type | Assumptions |
|-----------|--|---|--|
| A | 1.5 mm ² (18 AWG) stranded copper | 457 m (1,500 ft) twisted wire | 100 mV maximum voltage drop Depending on the cable length and the connected input or output device, you may have to define an offset in the setup software for the input or output point. |
| | 0.8 mm (20 AWG) stranded copper 297 m (975 ft) twisted wire | 297 m (975 ft) twisted wire | |
| | 0.6 mm (22 AWG) stranded copper 183 m (600 ft) twisted wire | 183 m (600 ft) twisted wire | |
| | 24 AWG stranded copper 107 m (350 ft) twisted wire | 107 m (350 ft) twisted wire | |
| B | 1.5 mm ² (18 AWG) stranded copper | 229 m (750 ft) twisted wire | 100 mV maximum voltage drop Depending on the cable length and the connected input or output device, you may have to define an offset in the setup software for the input or output point. |
| | 0.8 mm (20 AWG) stranded copper 297 m (975 ft) twisted wire | 137 m (450 ft) twisted wire | |
| | 0.6 mm (22 AWG) stranded copper 183 m (600 ft) twisted wire | 91 m (300 ft) twisted wire | |
| | 24 AWG stranded copper 107 m (350 ft) twisted wire | 61 m (200 ft) twisted wire | |
| C | See Figure 8 to select wire size/gauge. | See Figure 8 to determine cable length. | N/A |
| | Use stranded copper wire. | Use twisted wire cable. | |

Figure 8: Maximum Wire Length by Current and Wire Size

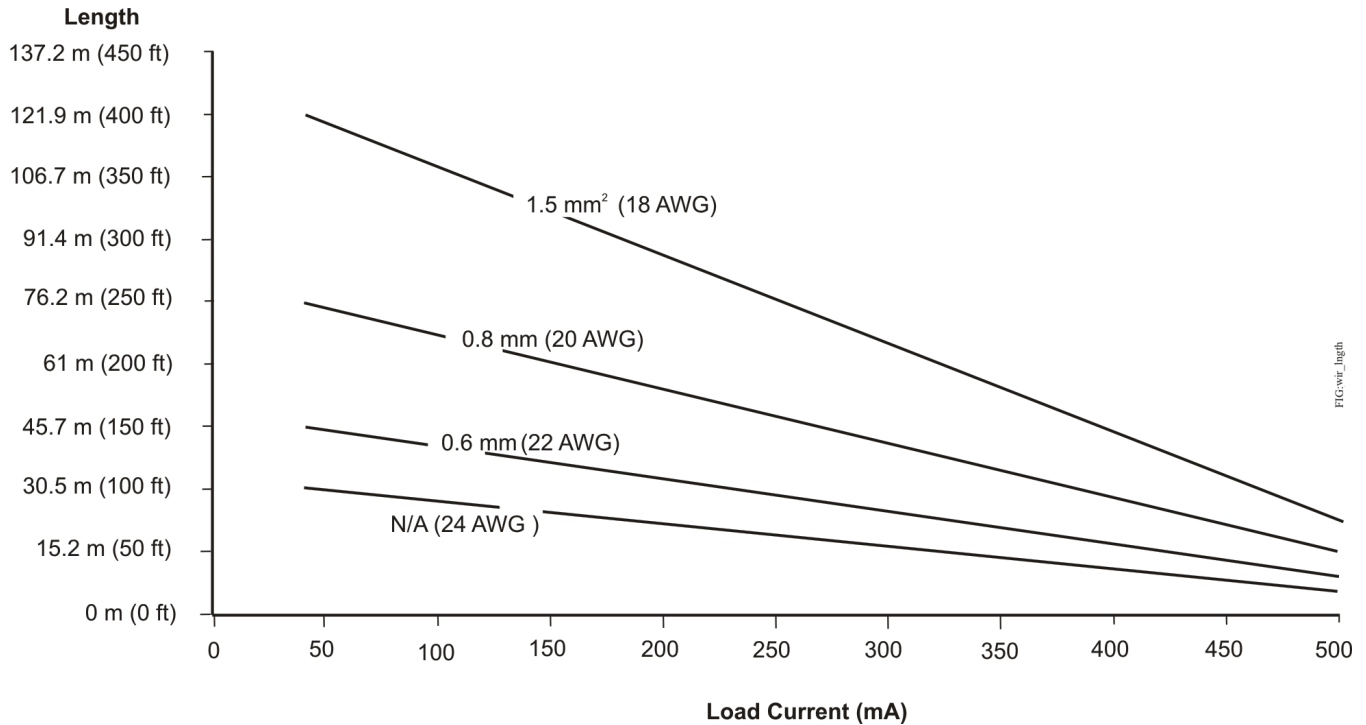


Table 5: Communication Bus and Supply Power Terminal Blocks, Functions, Ratings, Requirements, and Cables

| Terminal Block/Port Label | Terminal Labels | Function, Electrical Ratings/Requirements | Recommended Cable Type ¹ |
|---------------------------|-----------------|---|--|
| FC BUS² | + | FC Bus Communications | 0.6 mm (22 AWG) stranded, 3-wire twisted, shielded cable recommended |
| | - | | |
| | COM | Signal Reference (Common) for bus communications | |
| SA BUS² | + | SA Bus Communications | 0.6 mm (22 AWG) stranded, 4-wire (2 twisted-pairs), shielded cable recommended Note: The + and - wires are one twisted pair, and the COM and SA PWR wires are the second twisted pair. |
| | - | | |
| | COM | SA Bus Signal Reference and 15 VDC Common | |
| | SA PWR | 15 VDC Supply Power for Devices on the SA Bus | |
| FC BUS² | FC BUS | RJ-12 6-Position Modular Port provides FC Bus Communications FC Bus provides 15 VDC Power for: <ul style="list-style-type: none"> • Wireless Bluetooth Commissioning Converter • Wireless Field Bus Router | 24 AWG 3-pair CAT 3 Cable <30.5 m (100 ft) |

Table 5: Communication Bus and Supply Power Terminal Blocks, Functions, Ratings, Requirements, and Cables

| Terminal Block/Port Label | Terminal Labels | Function, Electrical Ratings/Requirements | Recommended Cable Type ¹ |
|---------------------------|-----------------|--|--|
| SA BUS ² | SA BUS | RJ-12 6-Position Modular Port provides SA Bus Communications SA Bus provides 15 VDC Power for: <ul style="list-style-type: none"> • NS Series Sensors • Wireless ZigBee FX-ZFR-7860 Series One-to-One Wireless Receiver • Bluetooth Commissioning Converter (FX-BTCVT) • FX-DIS1710 Local Controller Display • FX-ATV VAV Balancing Tool | 24 AWG 3-pair CAT 3 Cable <30.5 m (100 ft) |
| 24~ | HOT | 24 VAC Power Supply - Hot Supplies 20–30 VAC (Nominal 24 VAC) | 0.8 mm to 1.5 mm ² (20 to 18 AWG) 2-wire |
| | COM | 24 VAC Power Supply Common The -0 models isolate this terminal from all other commons. The -1 models only isolate this terminal from the FC bus common. | |

- 1 See [Table 4](#) to determine wire size and cable lengths for cables other than the recommended cables.
- 2 The SA Bus and FC Bus wiring recommendations in this table are for MS/TP Bus communications at 38.4k baud. For more information, refer to the *FX-PC Series Controllers MS/TP Communications Bus Technical Bulletin (LIT-12011670)*.

Setup and Adjustments

Important: Electrostatic discharge can damage controller components. Use proper electrostatic discharge precautions during installation, setup, and servicing to avoid damaging the controller.

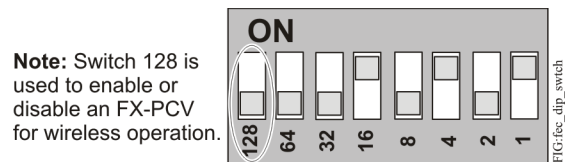
The DIP switch block ([Figure 9](#)) has eight switches numbered 128, 64, 32, 16, 8, 4, 2, and 1. Switches 64 through 1 are device address switches. Switch 128 is a mode switch that enables an FX-PC controller to operate on an FX-ZFR Series Wireless Field Bus. Switch 128 must be set to OFF for all hard-wired SA and FC Bus applications. Set Switch 128 to ON for wireless FC Bus applications only.

Setting the Device Address

FX-PC Series Controllers are master devices on BACnet® MS/TP (SA or FC) Buses. Before operating FX-PC controllers on a bus, you must set a valid and unique device address for each controller on the bus.

You set an FX-PC controller’s device address by setting the positions of the switches on the Device Address DIP switch block at the top of the controller ([Figure 2](#)). Device addresses 4 through 127 are the valid addresses for these controllers.

Figure 9: Device Address Switches Set to 21



Note: FX-PC Series Controllers ship with Switch 128 ON and the remaining address switches OFF. This renders the controllers wired slave devices, which do not interfere on MS/TP Buses and do not interfere with bus operation. Set a valid and unique device address on the controller before applying power to the controller on the bus.

To set the device addresses on an FX-PC Series Controller:

1. Set all of the switches on the controller's device address DIP switch block (128 through 1) to OFF.
2. Set one or more of the seven address switches (64 through 1) to ON, so that the sum of the switch numbers set to ON equals the intended device address. See [Table 6](#) and [Table 7](#) for valid FX-PC controller addresses.

Set the highest number switch that is less than or equal to the intended device address to ON. Then continue setting lower numbered switches until the total equals the intended address. For example, if the intended device address is 21, set Switch 16 to ON first, then set Switch 4 ON, followed by Switch 1 (16+4+1=21). See [Figure 9](#).

3. Set Switch 128 to ON only for controllers on an FX-ZFR Series Wireless Field Bus application. For all hard-wired SA and FC Bus applications, ensure that Switch 128 is set to OFF.

Note: Do not connect a wirelessly enabled FX-PC controller to a wired FC Bus.

Refer to the *FX-ZFR Series Wireless Field Bus System Technical Bulletin (LIT-12011660)* for more information on device addresses in wireless applications.

4. Set a unique and sequential device address for each of the FX-PC controllers connected on the SA or FC Bus, starting with device address 4.

To ensure the best bus performance, set sequential device addresses with no gaps in the device address range (4, 5, 6, 7, 8, 9, and so on). The FX-PC controllers do not need to be physically connected on the bus in their numerical device address order.

5. Write each FX-PC controller's device address on the white label below the DIP switch block on the controller's cover.

Refer to the *FX-PC Series Controllers MS/TP Communications Bus Technical Bulletin (LIT-12011670)* for more information on FX-PC controller device addresses and how to set them on MS/TP Buses.

[Table 6](#) and [Table 7](#) show and describe the valid FC Bus and SA Bus device addresses for Johnson Controls MS/TP communications bus applications.

Table 6: FC Bus Device Address Descriptions

| Device Address | Address Description |
|------------------------------|---|
| 0 (Switch 128 OFF) | Reserved for FX Supervisory Controller (not valid for FX-PC controllers). |
| 1 to 3 (Switch 128 OFF) | Reserved for peripheral devices (not valid for FX-PC controllers). |
| 4 to 127 (Switch 128 OFF) | Valid for FX-PC Series Controllers on a hard-wired SA Bus or FC Bus. |

Table 7: Wireless Field Bus Device Address

| Device Address | Address Description |
|-----------------------------|---|
| 0 to 3 (Switch 128 ON) | Reserved addresses for wired slave devices (not valid for FX-PC controllers). Note: FX-PC Series Controllers ship with 128 ON and the remaining address switches OFF, rendering the controllers wired slave devices, which do not operate on FX-PC Series Controller field buses. |
| 4 to 127 (Switch 128 ON) | Valid for FX-PC Series Controllers on wireless FC Buses only . Note: Do not connect an FX-PC Series controller with these device addresses to an active wired SA or FC Bus. When a controller with one of these device address is connected to a wired field bus, the field bus is rendered inoperable until the controller is disconnected or Switch 128 is set to OFF. |

Setting the N2 Controller Address to be Greater than 127

N2-configured controllers support the full range of possible N2 device addresses provided by the N2 protocol standard (1-255). However, these controllers require special configuration for addresses above 127.

Use the following instructions for controller addresses greater than 127.

Note: Before you perform this procedure, make sure that your controller has been converted from BACnet to N2 protocol first. Refer to the *Modernization Guide for Legacy N2 Controllers (LIT-12012005)* for more information.

Note: This special configuration is required because controller addresses above 127 were originally intended for use with the Wireless Field Bus system.

1. Disconnect the 24 VAC supply from the controller.
2. Remove the FC Bus connector from the controller.
3. Set the address switch set to the desired N2 address.
4. Set the address switch segment labeled 128 to OFF.
5. Reconnect the 24 VAC supply to the controller.
6. Using an FX-PCT tool connection at the FX-PC controller's SA bus, download the firmware and controller application file. The download process asks to confirm switching the communication protocol to N2.
7. Click OK.
8. After the download is finished, disconnect the 24 VAC supply to the FX-PC controller.
9. Set the address switch segment labeled 128 to ON.
10. Reattach the FC Bus connector to the FX-PC controller.
11. Reconnect the 24 VAC supply to the FX-PC controller.

Setting the EOL Switch

Each FX-PC controller has an EOL switch, which, when set to ON (up), sets the FX-PC controller as a terminating device on the bus. See [Figure 2](#) for the EOL switch location on the FX-PC controller. The default EOL switch position is OFF (down). The amber EOL LED illuminates to show the EOL is active.

Figure 10: EOL Switch Positions



FIG-EOL_Switch

To set the EOL switch on an FX-PC controller:

1. Determine the physical location of the controller on the SA or FC Bus.
2. Determine if the controller must be set as a terminating device on the bus.
Note: The EOL termination rules for SA Buses and FC Buses are different. Refer to the *FX-PC Series Controllers MS/TP Communications Bus Technical Bulletin (LIT-12011670)* for detailed information regarding EOL termination rules and EOL switch settings on SA and FC Buses.
3. If the controller is a terminating device on the FC Bus, set the EOL switch to ON. If the controller is not a terminating device on the bus, set the EOL switch to OFF.
Note: When the EOL switch is set to ON, the LED light on the face of the controller is illuminated.

Commissioning

Use the following procedure to commission the FX-PCV1615/1626/1628/1630 controller:

1. Download the control application to the FX-PCV controller using the Programming and Commissioning Tool (FX-PCT). Refer to the *Controller Tool Help (LIT-12011147)*.
2. Commission the VAV Box. Refer to the *Controller Tool Help (LIT-12011147)*.
3. Perform airflow balancing on the VAV box. Refer to the *VAV Box Balancing Tool and Network Sensors Technical Bulletin (LIT-12011659)*.
4. Perform commissioning checkout procedures. Refer to the *Controller Tool Help (LIT-12011147)*.

The FX-PCT connects to the FX-PCV through a laptop computer using different connection options: the Bluetooth Commissioning Converter, the Wireless ZFR USB Dongle, or the wired BACnet Ethernet to MS/TP Router can be used when using the BACnet MS/TP protocol. When the controller is configured to use the N2 protocol, you must use the Bluetooth Commissioning Converter at the SA bus. Wireless connections are not supported in N2 mode. These connection options require additional hardware listed in [Table 9](#).

Troubleshooting

[Table 8](#) provides LED status indicator information for troubleshooting the FX-PCV1615/1626/1628/1630 controller.

If you experience short circuits in the 24 VAC power supply causing protective devices such as breakers or fuses to trip, make sure that the the power connections on the VMA are not reversed. The most common cause of this problem is when the 24 VAC power supply on the VMA is reversed but not reversed on a connected secondary device. Improper wiring of this power terminal may cause a short circuit across the 24 VAC power supply on -1 models.

Repair Information

If the FX-PCV controller fails to operate within its specifications, replace the unit. For a replacement unit, contact the nearest Johnson Controls representative.

Accessories

Use [Table 9](#) to order accessories.

Table 8: FX-PCV Controller Status LEDs

| LED Label | LED Color | Normal State | Descriptions of LED States |
|---------------|-----------|--------------|--|
| POWER | Green | On Steady | Off Steady = No power On Steady = Power is supplied by primary voltage |
| FAULT | Red | Off Steady | Blink - 2 Hz = Download or startup in progress, not ready for normal operation, SA Bus devices offline (such as Netsensors) Off Steady = No faults On Steady = Device fault or no application loaded |
| FC BUS | Green | Blink - 2 Hz | Blink - 2 Hz = Data transmission (normal communication) Off Steady = No data transmission (auto baud in progress) On Steady = communication lost, waiting to join communication ring |
| SA BUS | Green | Blink - 2 Hz | Blink - 2 Hz = Data transmission (normal communication) Off Steady = No data transmission (N/A - auto baud not supported) On Steady = Communication lost; waiting to join communication ring |
| EOL | Amber | Off | On Steady = EOL is active Off Steady = EOL is not active |

Table 9: FX-PCV1615/1626/1628/1630 Controller Accessories (Order Separately)

| Product Code Number | Description |
|---------------------|--|
| Y64T15-0 | Transformer, 120/208/240 VAC Primary to 24 VAC Secondary, 92 VA, Foot Mount, 30 in. Primary Leads and 30 in. Secondary Leads, Class 2 |
| Y65A13-0 | Transformer, 120 VAC Primary to 24 VAC Secondary, 40 VA, Foot Mount (Y65AS), 8 in. Primary Leads and 30 in. Secondary Leads, Class 2 |
| Y65T42-0 | Transformer, 120/208/240 VAC Primary to 24 VAC Secondary, 40 VA, Hub Mount (Y65SP+), 8 in. Primary Leads and Secondary Screw Terminals, Class 2 |
| Y65T31-0 | Transformer, 120/208/240 VAC Primary to 24 VAC Secondary, 40 VA, Foot Mount (Y65AR+), 8 in. Primary Leads and Secondary Screw Terminals, Class 2 |
| AP-TBK1002-0 | 2-position Screw Terminal that Plugs onto FX-PCV Output Point Spade Lugs |
| AP-TBK1003-0 | 3-position Screw Terminal that Plugs onto FX-PCV Output Point Spade Lugs |
| AP-TBK4SA-0 | Replacement MS/TP SA Bus Terminal, 4-Position Connector, Brown, Bulk Pack |
| AP-TBK4FC-0 | Replacement MS/TP FC Bus Terminal, 4-Position Connector, Blue, Bulk Pack |
| AP-TBK2PW-0 | Replacement Power Terminal, 2-Position Connector, Gray, Bulk Pack |
| F-1000-325 | Replacement Barbed Fitting for use on FX-PCV1615, FX-PCV1630, and FX-PCV1832 for Connecting Tubing (Bulk Pack of 10) |

Table 9: FX-PCV1615/1626/1628/1630 Controller Accessories (Order Separately)

| Product Code Number | Description |
|--|--|
| F-1000-326 | Flexible Tubing Extension with Barbed Fitting for FX-PCV1615, FX-PCV1630, and FX-PCV1832, 14 in. Length (Bulk Pack of 20) |
| FX-BTCVT-1 | Bluetooth Commissioning Converter |
| FX-BTCVTCBL-700 | Cable Replacement Set for the FX-BTCVT-1 or the NS-ATV7003-0; Includes One 5 ft (1.5 m) Retractable Cable |
| FX-DIS1710-0 | Local Controller Display |
| FX-PCVACT-701 | FX-PCV Actuator Assembly Gearbox Replacement Kit |
| FX-ZFR1810-0 | Wireless Field Bus Coordinator, 10 mW Transmission Power. Functions with FX Supervisory Controllers. |
| FX-ZFR1811-0 | Wireless Field Bus Router, 10 mW Transmission Power. Functions with FX-PC Series Programmable Controllers and FX-WRZ Wireless Sensors. |
| TL-BRTRP-0 | Portable BACnet IP to MS/TP Router |
| FX-WRZ7860-0 | One-to-One ZigBee Wireless Receiver for Wireless Sensor Only Applications |
| FX-WRZSST-120 | Wireless Sensing System Tool Kit |
| ZFR-USBHA-0 | USB Dongle with ZFR Driver provides a wireless connection through FX-PCT to allow wireless commissioning of the wirelessly enabled FX-PCG, FX-PCA, FX-PCX, and FX-PCV controllers. Also allows use of the FX-ZFR Checkout Tool (FX-ZCT) in FX-PCT. Note: The ZFR-USBHA-0 replaces the IA OEM DAUBI_2400 ZigBee USB dongle. For additional information on the ZFR-USBHA-0 ZigBee dongle, refer to the <i>FX-ZFR Series Wireless Field Bus System Technical Bulletin (LIT-12011660)</i> or <i>FX-ZFR Series Wireless Field Bus System Quick Reference Guide (LIT-12011696)</i> . |
| FX-PCX Series Expansion Input/Output Modules | Refer to the <i>FX-PC Series Programmable Controllers and Related Products Product Bulletin (LIT-12011657)</i> for a complete list of available FX-PCX Expansion I/O Modules. |
| NS Series Sensors | Refer to the <i>NS Series Network Sensors Product Bulletin (LIT-12011574)</i> for a complete list of available NS Series Sensors. |
| FX-WRZ Series Wireless Sensors | Refer to the <i>FX-WRZ Series Wireless Room Sensors Product Bulletin (LIT-12011687)</i> for a complete list of available FX-WRZ Series Wireless Sensors. |

Technical Specifications


Table 10: FX-PCV1615/1626/1628/1630 Controllers

| | |
|-----------------------------|---|
| Product Code Numbers | <p>FX-PCV1615-0: Integrated VAV Box Controller, Actuator and Pressure Sensor: 3 UI, 2 BO, 24 VAC; FC and SA Bus</p> <p>FX-PCV1626-0: Integrated VAV Box Controller/Actuator (No Pressure Sensor - DPT); 3 UI, 3 BO, and 2 CO; 24 VAC; FC and SA Bus</p> <p>FX-PCV1628-0: Integrated VAV Box Controller/ (No Actuator) Pressure Sensor - DPT; 3 UI, 3 BO, and 2 CO; 24 VAC; FC and SA Bus</p> <p>FX-PCV1630-0: Integrated VAV Box Controller, Actuator and Pressure Sensor: 3 UI, 2 BO, 24 VAC; FC and SA Bus</p> <p>FX-PCV1630-1: Integrated VAV Box Controller, Actuator and Pressure Sensor: 3 UI, 2 BO, 24 VAC; FC and SA Bus</p> |
| Supply Voltage | 24 VAC (nominal, 20 VAC minimum/30 VAC maximum), 50/60 Hz, Power Supply Class 2 (North America), Safety Extra-Low Voltage (SELV) (Europe) |

Table 10: FX-PCV1615/1626/1628/1630 Controllers

| | |
|---|---|
| Power Consumption | 10 VA typical, 14 VA maximum Note: The VA rating does not include any power supplied to the peripheral devices connected to Binary Outputs (BOs) or Configurable Outputs (COs), which can consume up to 12 VA for each BO or CO, for a possible total consumption of an additional 60 VA (maximum). |
| Ambient Conditions | Operating: 0 to 50°C (32 to 122°F) Storage: -40 to 70°C (-40 to 158°F) |
| Terminations | Inputs/Outputs: 6.3 mm (1/4 in.) Spade Lugs FC Bus, SA Bus, and Supply Power: 4-Wire and 2-Wire Pluggable Screw Terminal Blocks FC and SA Bus Modular Ports: RJ-12 6-Pin Modular Jacks |
| Controller Addressing for BACnet MS/TP | DIP switch set; valid FX-PC controller device addresses 4–127 (Device addresses 0–3 and 128–255 are reserved and not valid FX-PC controller addresses.) |
| Controller Addressing for N2 | DIP switch set; valid FX-PC controller device addresses 1–255 |
| Communications Bus¹ | RS-485: selectable between BACnet MS/TP or N2 FC Bus: 0.6 mm (22 AWG) standard 3-wire, twisted, shielded cable recommended between the supervisory controller and FX-PC controllers SA Bus: 0.6 mm (22 AWG) stranded, 4-wire (2-twisted pairs) shielded cable recommended from the FX-PCV controller for network sensors and other sensor/actuator devices; includes a terminal to source 15 VDC supply power from FX-PCV to SA Bus devices ¹ |
| Processor | RX630 32-bit microcontroller |
| Memory | 1 MB flash memory and 512 KB RAM |
| Universal Input Mode/Configurable Output Mode Accuracy | UI Analog Input Mode: 15-bit resolution on UIs CO Analog Output Mode (FX-PCV1626/FX-PCV1628/FX-PCV1630 only): 0–10 VDC ± 200 mV |
| Air Pressure Differential Sensor | Range: -1.5 in. to 1.5 in. W.C. Performance Characteristics: Accuracy: ±1.3% Full Span Maximum ² (±0.039 in. W.C.) Typical accuracy at zero (null) pressure is ±0.02 in. W.C. ³ (if provided) |
| Actuator Rating | 4 N·m (35 lb·in) minimum shaft length = 44 mm (1-3/4 in.) (if provided) |
| Mounting | Mounts to damper shaft using single set screw and to duct with single mounting screw |
| Dimensions (Height x Width x Depth) | 165 x 125 x 73 mm (6.5 x 4.92 x 2.9 in.) Center of Output Hub to Center of Captive Spacer: 135 mm (5-5/16 in.) |
| Weight | 0.65 kg (1.45 lb) |

Table 10: FX-PCV1615/1626/1628/1630 Controllers

| | |
|---|---|
|  | <p>United States:</p> <p>UL Listed, File E107041, CCN PAZX, UL 916, Energy Management Equipment; Suitable for use in other environmental air space (plenums) in accordance with Section 300.22(C) of the National Electric Code.</p> <p>FCC Compliant to CFR47, Part 15, Subpart B, Class A.</p> |
| | <p>Canada:</p> <p>UL Listed, File E107041, CCN PAZX7, CAN/CSA C22.2 No. 205, Signal Equipment;</p> <p>Industry Canada Compliant, ICES-003</p> |
| | <p>Europe:</p> <p>CE Mark – Johnson Controls, Inc. declares that this product is in compliance with the essential requirements and other relevant provisions of the EMC Directive.</p> |
| | <p>Australia and New Zealand:</p> <p>RCM Mark Compliant, Australia/NZ Emissions Compliant.</p> |
| | <p>BACnet International</p> <p>BACnet Testing Laboratories (BTL) Protocol Revision 7 Listed BACnet Application Specific Controller (B-ASC)</p> |

- 1 For more information, refer to the *FX-PC Series Controllers MS/TP Communications Bus Technical Bulletin (LIT-12011670)* or the *N2 Communication Bus Technical Bulletin (LIT-636018)*.
- 2 Combined error due to offset, non-linearity, and temperature variation.
- 3 Includes error due to non-linearity.

The performance specifications are nominal and conform to acceptable industry standard. For application at conditions beyond these specifications, consult the local Johnson Controls office. Johnson Controls, Inc. shall not be liable for damages resulting from misapplication or misuse of its products.

| | | |
|--|---------------------------------------|--------------------------------------|
| European Single Point of Contact: | NA/SA Single Point of Contact: | APAC Single Point of Contact: |
| JOHNSON CONTROLS | JOHNSON CONTROLS | JOHNSON CONTROLS |
| WESTENDHOF 3 | 507 E MICHIGAN ST | C/O CONTROLS PRODUCT MANAGEMENT |
| 45143 ESSEN | MILWAUKEE WI 53202 | NO. 22 BLOCK D NEW DISTRICT |
| GERMANY | USA | WUXI JIANGSU PROVINCE 214142 |
| | | CHINA |



Building Efficiency
507 E. Michigan Street, Milwaukee, WI 53202

*Johnson Controls® is a registered trademark of Johnson Controls, Inc.
All other marks herein are the marks of their respective owners. © 2016 Johnson Controls, Inc.*