

## Room humidity

### HT-1000

*Wall mount*

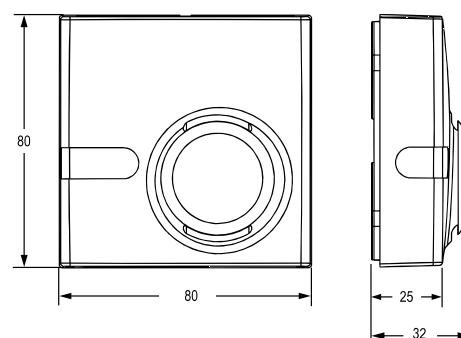
The HT-1000 series room humidity sensors provide active sensing of relative humidity and on specific models, also active/passive sensing of temperature in HVAC applications.

It features a polymer capacitance humidity sensing element and provides within either  $\pm 2\%$  or  $\pm 4\%$  accuracy a voltage output signal proportional 0 to 100% relative humidity.

The HT-1000 series room humidity sensors are designed for use with any type of Johnson Controls or third party HVAC controllers.

#### Features

- ▶ Supply voltage: 15 VAC / 24 VAC
- ▶ Output RH%: 0...10 VDC
- ▶ Output Temperature: 0...10 VDC, NTC K2, Pt1000
- ▶ Protection class: IP30



Dimensions in mm

#### Ordering information

Codes	Humidity range	Humidity output	Humidity accuracy	Temperature range	Temperature output	Supply voltage
HT-1201-UR	0...100% RH	0...10 VDC	$\pm 2\%$	0...40°C	0...10 VDC	12 to 30 VDC 24 VAC $\pm 15\%$
HT-1300-UR			$\pm 4\%$	---	---	
HT-1301-UR				0...40°C	0...10 VDC	
HT-1303-UR					NTC K2	
HT-1306-UR				0...60°C	Pt1000	