



TG-MH/PT1000

Average temperature sensor with housing

Average temperature sensor with four Pt1000-elements, intended for duct mounting.

- Temperature measurement over the whole cable length
- M16 cable gland
- Bayonet mounted cover
- For average temperature measurement in supply and exhaust air ducts
- Adjustable insertion length and tight closing
- Compact and modern design

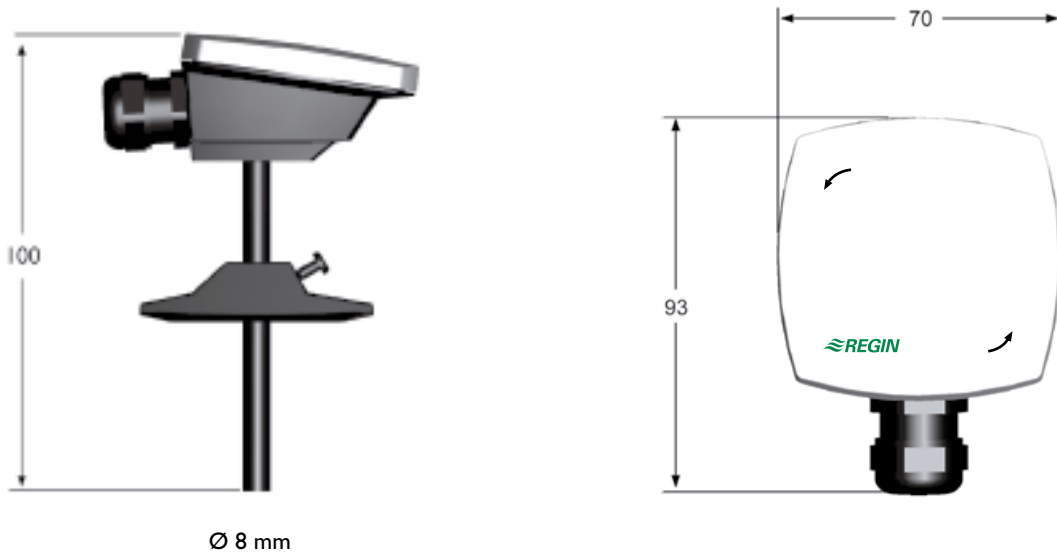
TG-MH/PT1000 is an average temperature sensor for duct mounting. It has a 3 m cable with four Pt1000-elements. The cable is mounted with clamps and is held in place by an end spring.

The sensor has a modern design that fits into any environment. TG-MH/PT1000 has adjustable insertion length and an elastic and flexible mounting bracket that closes tightly against ducts.

Technical data

Temperature range	0...+70°C
Sensor element	Four Pt1000-elements, DIN class B
Time constant	63 s at 2 m/s and 43 s at 5 m/s
Cable length	3 m
Protection class	IP65
Diameter mounting tube	8 mm
Diameter hole	10 mm
Insertion length	0...75 mm, adjustable

Dimensions (mm)



Head Office Sweden
Phone: +46 31 720 02 00
Web: www.regin.se
Mail: info@regin.se

Sales Offices
France: +33 14 171 46 46
Hong Kong: +852 24 07 02 81
Singapore: +65 67 47 82 33
Germany: +49 30 77 99 40

 **REGIN**

THE CHALLENGER IN BUILDING AUTOMATION