



TRTC5(-D)

Temperature transmitters
for Modbus communication

Room transmitters for measuring temperature in indoor environments.

- ✓ Output signal Modbus
- ✓ Temperature, 0...50°C
- ✓ Good long-term stability
- ✓ Modbus communication

Function

Transmitters intended for wall mounting in HVAC systems.

The sensor is mounted in the cover-part of the casing. The cover is easy to detach from the back by means of snap-in grips and detachable terminals. This makes mounting easier. Furthermore, no cables have to be disconnected, simplifying service and replacement.

Supply voltage

The transmitter uses a supply voltage of 24 V AC $\pm 10\%$ or 15...35 V DC. It automatically detects and adapts to the supply voltage connected.

Temperature sensor

The unit has a built-in temperature sensor, working range 0...50°C.

Communication via Modbus

The transmitters communicate via Modbus and are to be integrated into a network.



Models

| Model | Description |
|---------|---|
| TRTC5 | Temperature transmitter for Modbus communication |
| TRTC5-D | Temperature transmitter for Modbus communication with display |

Technical data

| | |
|----------------------------------|---|
| Output signal | Modbus |
| Supply voltage (U _v) | 24 V AC ±10 % or 15...35 V DC |
| Power consumption | < 1 W |
| Transformer power | 2 VA |
| Electrical connection | Screw terminals max. 1,5 mm ² (AWG 16) |
| Ambient temperature | 0...50°C |
| Ambient humidity | 10...90 % RH non-condensing |
| Storage temperature | -25...+60°C |
| Protection class | IP30 |
| Dimensions | 100 x 85 x 30.5 mm |
| Colour | Signal white RAL 9003 |

CE

This product carries the CE mark. For more information, see www.regincontrols.com.

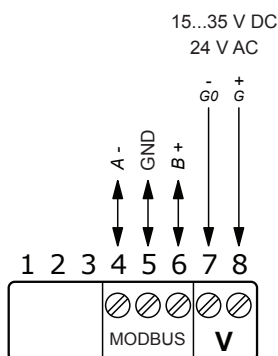
Temperature

| | |
|------------------|----------|
| Working range | 0...50°C |
| Accuracy at 20°C | ±0.2°C |

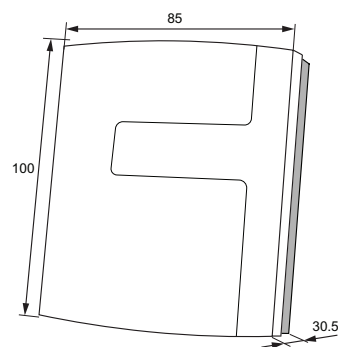
Communication

| | |
|------------------|---------------------------------|
| Type | Modbus RTU |
| Baud rate | 4800, 9600, 19200, 38400 bits/s |
| Factory settings | |
| Baud rate | 19200 bits/s |
| Parity | Even |
| Address of unit | 1 |

Wiring



Dimensions



Measurements in mm

Product documentation

The product documentation can be downloaded from www.regincontrols.com.