



BTV

2-way valve female threaded

BTV is a pressure balanced 2-way valve (from DN15...DN50) intended for control of cold and hot water, cooling systems, steam, and district heating systems.

- No leakage
- Pressure balanced (smaller actuators can be used), DN15...DN50
- Rangeability 100:1

BTV is intended for hot and cold water, cooling systems, steam, and district heating systems within the temperature range -5°C...185°C.

Function

The valve is closed when the stem is in its lowest position.

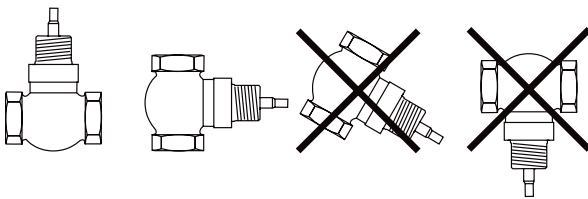
Actuator

The valve is pressure balanced and can therefore handle high differential pressure with low force. This means that an actuator with low force can be used.

BTV is intended to be used together with actuators of the type RVA5...

Installation

The valve should be mounted according to the flow direction arrows on the valve.



- Media temperature -5...185°C
- Pressure class PN16
- Differential pressure 1.6 MPa

Material

BTV has body and top in brass, stem and plug in stainless steel.

The valve has a soft seating made out of carbon-filled teflon between plug and seat, which makes it completely tight. It has an O-ring made of EPDM.

Models

	Connection	Kvs	Max. diff. pressure
BTV15-1,0	DN15	1.0	1.6 MPa
BTV15-1,6	DN15	1.6	1.6 MPa
BTV15-2,5	DN15	2.5	1.6 MPa
BTV20-3,9	DN20	3.9	1.6 MPa
BTV25-6,3	DN25	6.3	1.6 MPa
BTV25-10	DN25	10	1.6 MPa
BTV32-16	DN32	16	1.6 MPa
BTV40-27	DN40	27	1.6 MPa
BTV50-39	DN50	39	1.6 MPa

Technical data

Pressure class	PN16
Connection	Female threaded
Flow characteristics	Equal percentage
Rangeability	100:1
Stroke	20 mm
Media	Hot or cold water, cooling systems (max 50% glycol), and steam
Leakage	None
Temperature range	-5...+185°C
Thread	The valves have female threaded connections according to ISO 228/1

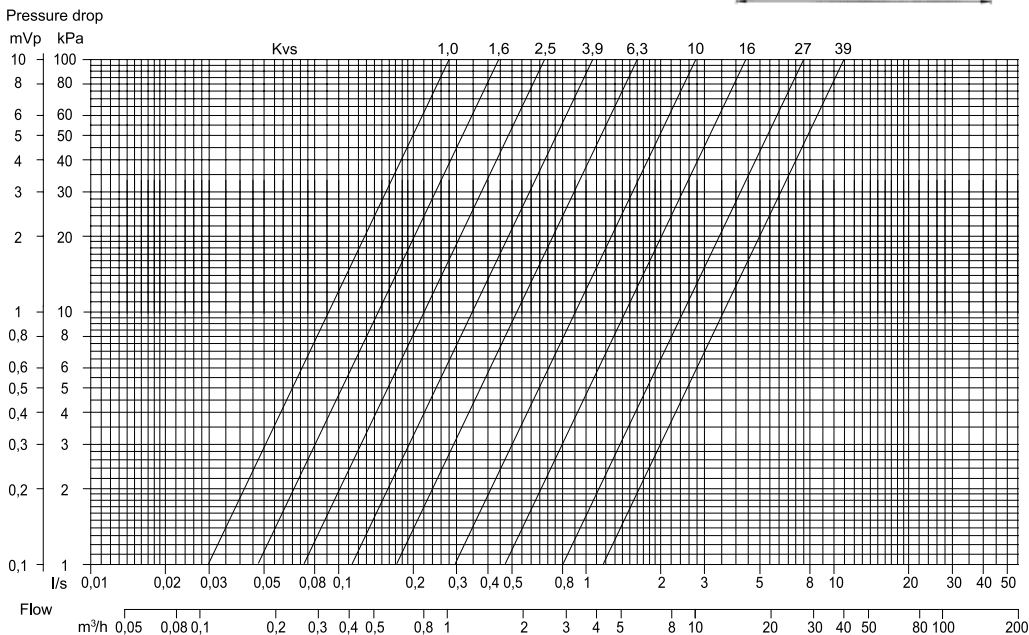
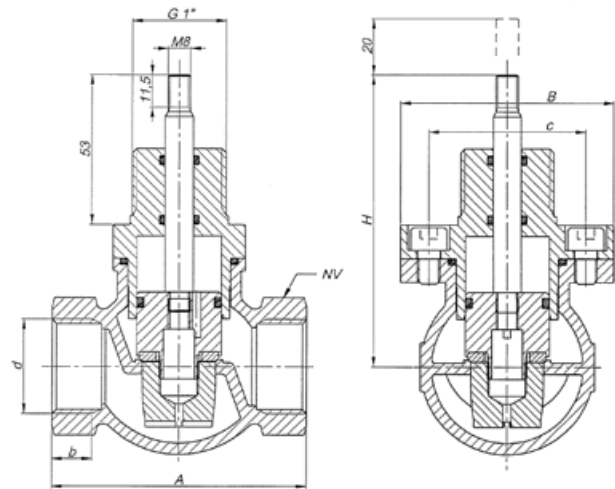
Material

Body	Brass
Plug parabol	Stainless steel
Stem	Stainless steel
Packing box	O-ring EPDM

Dimensions and pressure drop diagram

Measurements in mm

DN:	d	A	b	H	B	c	NV
15	G1/2"	70	11	90	62	47	30
20	G3/4"	75	13	90	62	47	36
25	G1"	90	14	104	76	56	42
32	G1 1/4"	105	17	104	64	44	52
40	G1 1/2"	120	18	120	67	50	58
50	G2"	145	20	124	77	60	70



Head Office Sweden
 Phone: +46 31 720 02 00
 Web: www.regin.se
 Mail: info@regin.se

Sales Offices
 France: +33 14 171 46 46
 Hong Kong: +852 24 07 02 81
 Singapore: +65 67 47 82 33
 Germany: +49 30 77 99 40

REGIN

THE CHALLENGER IN BUILDING AUTOMATION