



DFCM

Control valve with actuator

Intended for on/off control of hot or cold water in heating or cooling systems. The actuator has a synchronous motor and spring return mechanism.

- Spring return mechanism
- Tight closing
- Detachable actuator

The DFCM series' two-position valves are designed for temperature control in heating and cooling systems. The actuator is designed to withstand high moisture conditions.

Function

On demand, the valve is opened by a signal from a thermostat (supply voltage on). When the temperature reaches the desired level, the spring return mechanism will force the valve back to closed position.

The valve plate closes against the flow on the 2-way valves. On the 3-way valves, the valve plate normally closes to the coil side.

On the side of the actuator there is a device for manually opening the valve.

- Closing pressure up to 250 kPa
- Supply voltage 230 V AC
- Manual operation

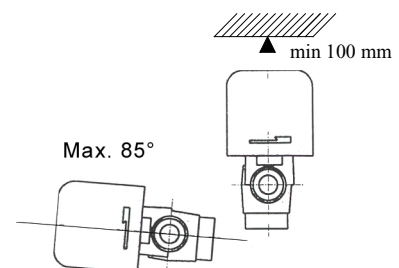
Actuator

The actuator is detachable from the valve and has a plastic casing.

Installation

The valve is to be mounted according to the flow direction marks on the valve. To ensure tight closure and prevent noise when closing, the 2-way valve is to be mounted on the return line of the coil. The 3-way valve is of diverting type and is to be mounted on the supply line at the diverting point.

The valves should be mounted with the actuator in an upright or side position (see the picture below).



Models

2-way models				3-way models			
Model	Connection	Kv	Max. diff. pressure	Model	Connection	Kv	Max. diff. pressure
DFCM-215X	DN15	3.2	200 kPa	DFCM-315X	DN15	3.2	150 kPa
DFCM-220X	DN20	4.6	150 kPa	DFCM-320X	DN20	4.6	100 kPa
DFCM-225X	DN25	5.7	100 kPa	DFCM-325X	DN25	5.7	100 kPa
DFCM-232X	DN32	10	80 kPa	DFCM-332X	DN32	8.4	80 kPa

Technical data

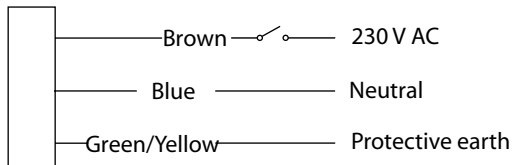
Actuator

Supply voltage	230 VAC, 50...60 Hz
Consumption	6 VA
Actuator type	Synchronous motor
Run time, opening	Approx. 15 s
Run time, closing	Approx. 4...5 s
Material housing	Plastic

Valve

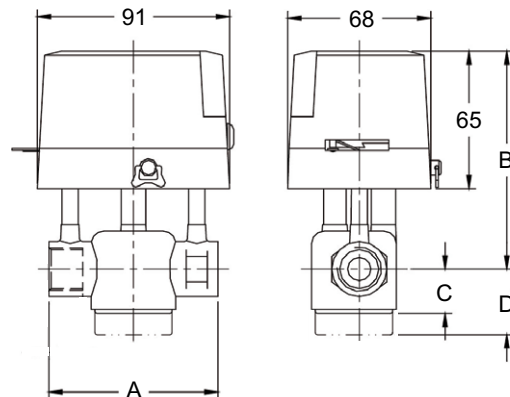
Fluid temperature	2...94°C
Pressure class	PN16 (240 psi)
Connection	Internal thread BSP
Material	
Body	Forged brass
Valve flap	NBR

Wiring



Dimensions

Model	A	B	C	D
DFCM-215X	80	103	21	-
DFCM-315X	80	103	-	29
DFCM-220X	89	103	21	-
DFCM-320X	89	103	-	32
DFCM-225X	93	103	23	-
DFCM-325X	93	103	-	37
DFCM-232X	105	110	30	-
DFCM-332X	105	110	-	45



Measurements in mm.

Head Office Sweden

Phone: +46 31 720 02 00
 Web: www.regin.se
 Mail: info@regin.se

Sales Offices

France: +33 1 41 71 00 34
 Germany: +49 30 77 99 40
 Spain: +34 91 473 27 65
 Hong Kong: +852 24 07 02 81
 Singapore: +65 67 47 82 33

REGIN

THE CHALLENGER IN BUILDING AUTOMATION