



RDAB40...

Damper actuator, 40 Nm

Damper actuator for control of dampers in ventilation systems.

- Torque 40 Nm
- For dampers up to approximately 8 m²
- Power supply 24 V or 230 V

RDAB40-24, RDAB40-230 and RDAB40-24A are damper actuators for control of dampers in ventilation systems.

Simple direct mounting

The damper actuator is easily mounted on the damper spindle with the universal spindle clamp. The actuator is supplied with an anti-rotation strap that prevents it from rotating.

- On/off or 0...10 V control signal
- 2...10 V DC working range (RDAB40-24A)

Function

Manual operation is possible with the self-resetting pushbutton (the gearing latch remains disengaged as long as the pushbutton is pressed).

The angle of rotation is adjustable with mechanical end stops.

RDAB40-24A

RDAB40-24A is controlled by means of a standard control signal 0...10 V DC. It opens to the position dictated by this signal. The measuring voltage U allows the damper position (0...100%) to be electrically indicated and serves as a follow-up control signal for other actuators.

High functional reliability

The actuator is overload-proof, requires no limit switches and stops automatically when the end stop is reached.

Models

RDAB40-24	On/off control signal, 24 V supply voltage
RDAB40-230	On/off control signal, 230 V supply voltage
RDAB40-24A	0...10 V control signal, 24 V supply voltage

Technical data

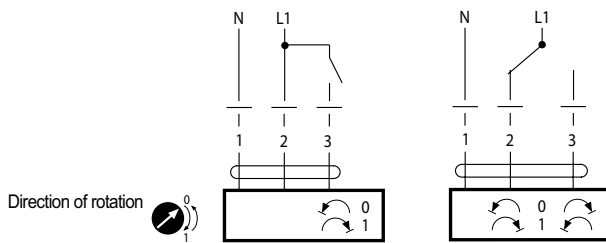
Supply voltage	
RDAB40-24 and RDAB40-24A	24 V AC 50/60 Hz, 24 V DC
RDAB40-230	230 V AC 50/60 Hz
Power consumption	
In operation (at nominal torque)	4.5 W
At rest	2 W
For wire sizing	7 VA
Control signal	
RDAB40-24 and RDAB40-230	On/off
RDAB40-24A	0...10 V
Mounting	Directly on jack shaft
For jack shaft	12...20 mm Ø (round shaft), 9...16 mm (square shaft)
Max. damper size	6 m ²
Direction of rotation	Selectable with switch
Torque	Min. 40 Nm at nominal voltage
Angle of rotation	Max. 95°, adjustable 0...100% with mechanical end stops
Running time actuator	150 s
Sound power level	Max. 45 dB (A)
Position indication	Mechanical
Protection class	IP54
Ambient temperature	-30...+50°C
Storage temperature	-40...+80°C
Cable	1 m, 3 x 0.75 mm ²
Weight	Appr. 1700 g



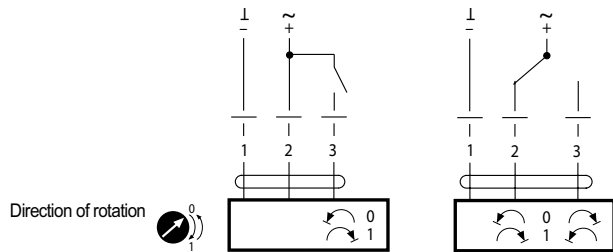
The product conforms with the requirements of European EMC standard 89/336/EEC and carries the CE-mark. RDAB40-230 also conforms with the requirements of European LVD standard 73/23/EEC.

Wiring and Dimensions

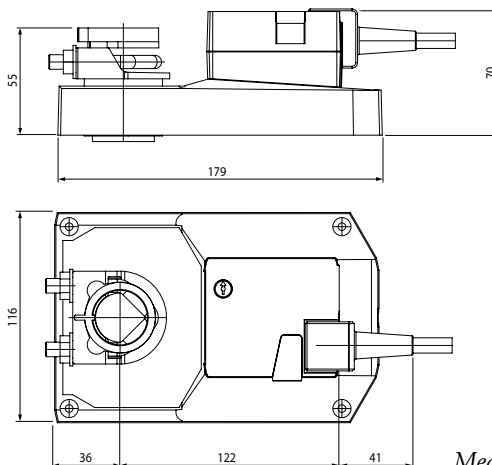
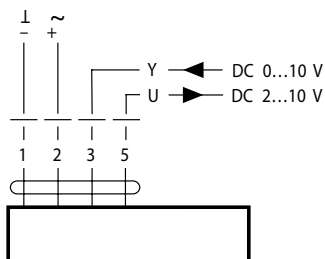
RDAB40-24



RDAB40-230



RDAB40-24A



Damper spindle	Length	Ø I ⌀
Clamp on top	min. 42	14 ... 26
Clamp on bottom	min. 20	14 ... 26

Measurements in mm

Head Office Sweden
Phone: +46 31 720 02 00
Web: www.regin.se
Mail: info@regin.se

Sales Offices
France: +33 14 171 46 46
Hong Kong: +852 24 07 02 81
Singapore: +65 67 47 82 33

REGIN

THE CHALLENGER IN BUILDING AUTOMATION