

Bleed Valves

RB Series



Bleed Valves
Purge Valves

Bleed Valves

RB Series

Introduction

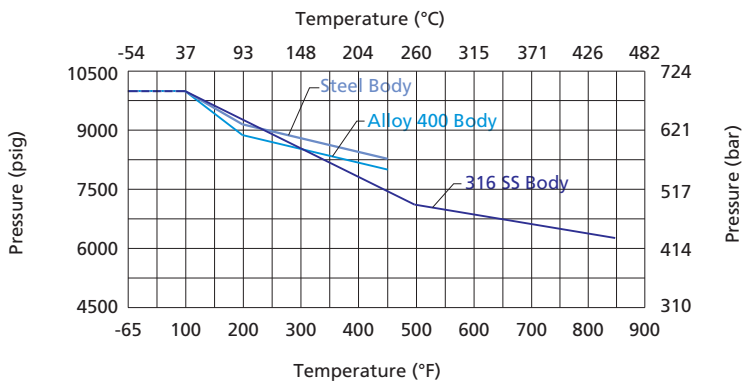
Bleed valves can be used on instrument devices such as multi-valve manifolds or gauge valves to vent signal line pressure to atmosphere before removal of an instrument or to assist in calibration.

Features

- ⦿ Compact design for easy installation
- ⦿ Chrome-plated stem and tip to extend cycle life
- ⦿ Working pressure up to: 10000 psig (690 bar)
- ⦿ Working temperature: -65°F to 850°F (-54°C to 454°C)
- ⦿ Variety of end connections
- ⦿ Stainless steel, carbon steel and alloy 400 available
- ⦿ Leak-tight performance testing for every valve with nitrogen at 6000 psig



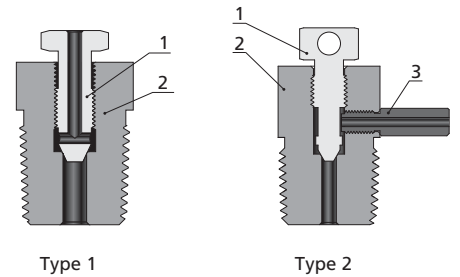
Pressure vs. Temperature



Contact FITOK Group or our authorized distributors for curve graph of other materials.

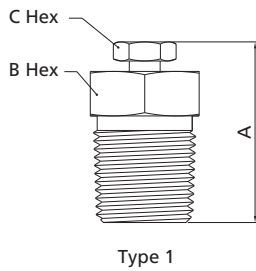
Standard Materials of Construction

Component		Valve Body Material Grade/ASTM Specification		
		316 SS	Carbon Steel	Alloy 400
1	Stem	Chrome-plated 316 SS/A276	Chrome-plated 316 SS/A276	Alloy 400/B164
2	Body	316 SS/A479	1018/A108	Alloy 400/B164
3	Vent tube	316 SS/A276	316 SS/A276	Alloy 400/B164

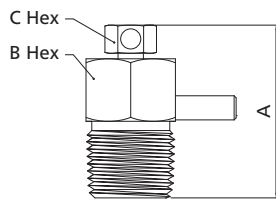


1. Nickel anti-seize lubricant (hydrocarbon carrier).
2. Contact FITOK Group or our authorized distributors for other materials.

Dimensions



Type 1



Type 2

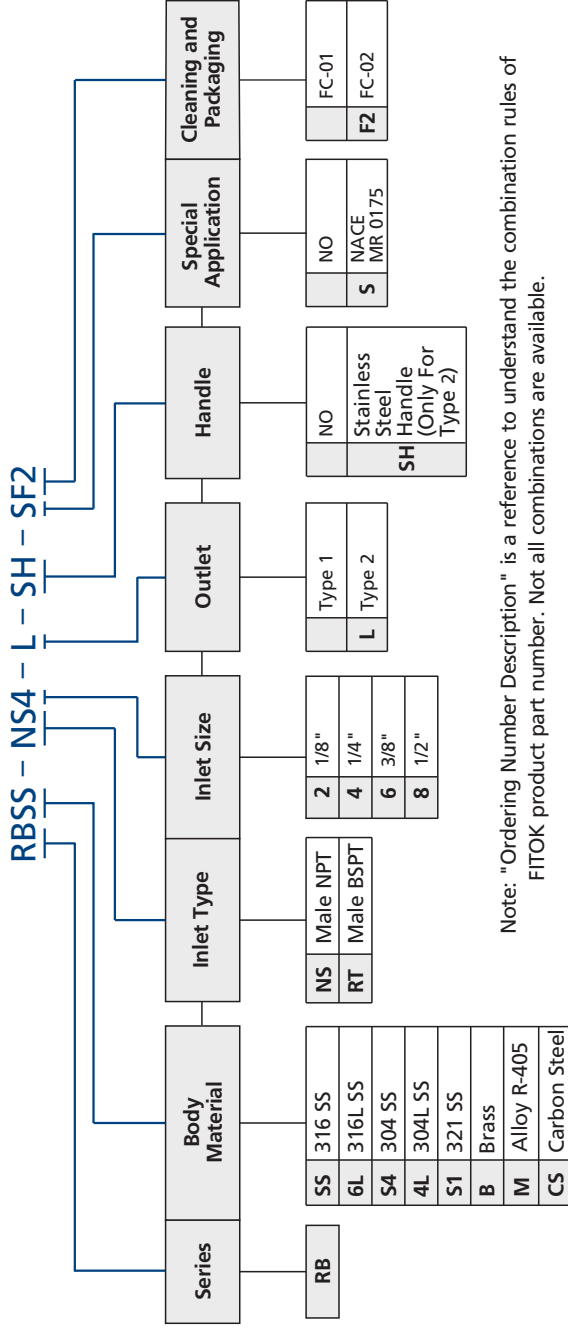
Type	Basic Ordering Number	Inlet Type and Size	Dimensions, in. (mm)		
			A (Close)	B	C
Type 1	RB□□-NS4	1/4 Male NPT	1.31 (33.4)	5/8 (15.9)	7/16 (11.1)
	RB□□-NS6	3/8 Male NPT	1.46 (37.1)	7/8 (22.2)	
	RB□□-NS8	1/2 Male NPT			
	RB□□-RT4	1/4 Male BSPT	1.31 (33.4)	5/8 (15.9)	
	RB□□-RT6	3/8 Male BSPT	1.46 (37.1)	7/8 (22.2)	
	RB□□-RT8	1/2 Male BSPT			
Type 2	RB□□-NS4-L	1/4 Male NPT	1.57 (40.0)	5/8 (15.9)	
	RB□□-NS6-L	3/8 Male NPT	1.74 (44.2)	7/8 (22.2)	
	RB□□-NS8-L	1/2 Male NPT			
	RB□□-RT4-L	1/4 Male BSPT	1.57 (40.0)	5/8 (15.9)	
	RB□□-RT6-L	3/8 Male BSPT	1.74 (44.2)	7/8 (22.2)	
	RB□□-RT8-L	1/2 Male BSPT			

Caution

These bleed valves don't have a cap thread seal, so open the valve slowly and direct the vent hole away from the operator. These valves contain no packing, so some fluid leakage will occur when the valves are opened.

Sizes and types listed are standard. Other sizes and types are available upon request. All dimensions are for reference only and are subject to change. For dimensions not shown above, please contact FITOK Group or our authorized distributors.

Ordering Number Description



Note: "Ordering Number Description" is a reference to understand the combination rules of FITOK product part number. Not all combinations are available.

Cleaning and Packaging:
 FC-01: Standard cleaning and packaging for general industrial procedures.
 FC-02: Special cleaning and packaging for wetted system components to ensure compliance with product cleanliness requirement of ASTM G93 Level C.

FITOK Group

FITOK GmbH (Headquarter)

Sprendlinger Landstr. 115, 63069 Offenbach am Main, Germany
Tel.: +49 69 8900 4498 Fax: +49 69 8900 4495

FITOK, Inc.

13843 North Promenade Blvd., Suite 750, Stafford, Texas 77477, USA
Tel.: +1 281 888 0077 Fax: +1 281 582 4051

FITOK Incorporated

Block C, Zone E, Yingtai Industrial Park, Dalang Street,
Longhua New District, Shenzhen, 518109, China
Tel.: +86 755 2803 2500 Fax: +86 755 2803 2619

FITOK Middle East Oil Equipment Trading LLC

208-209, Makateb Building, Airport Road, P.O.Box 185412, Deira, Dubai, UAE
Tel.: +971 4 2959 853 Fax: +971 4 2959 854

info@fitokgroup.com
www.fitokgroup.com

FK-IC-GV-02-EN-170517