

XC3610 – 5MP 3in1 IR Dome Camera



5MP

Super Low Lux

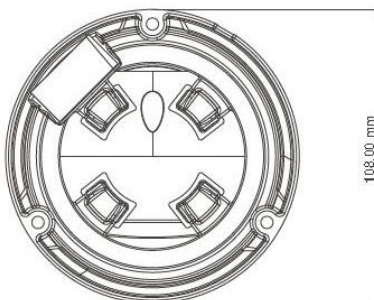
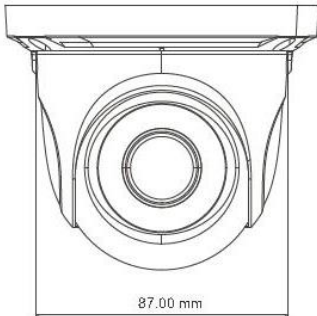
UTC

15m IR

Features

- 5 Megapixel CMOS Sensor
- Video output selectable :
5MP TVI/AHD @20fps or
4MP/1080p TVI/AHD/CVI @25fps
- 3.6mm Fixed Lens
- 24pcs IR LEDs, 0 Lux up to 15m
- BLC, 3D-DNR, DWDR, Defog, HLM
- **Super Low Lux**
- TDN (True Day & Night)
- **UTC** OSD control
- English / Chinese OSD menu
- **Aluminum Casing, IP66**
- Suitable for Wall / Ceiling Mount

DIMENSION



SPECIFICATION

Model	XC3610
Image Sensor	1/2.5" 2MP CMOS Sensor
Resolution	2560x1936 Pixels
Shuttle	1/25s ~ 1/100,000s
Lens	M12 3.6mm Fixed Lens
Video Output	5MP@20fps AHD/TVI
Day & Night	Filter Change or True Day&Night (TDN)
Min. Illumination	0 Lux up to 15m
LEDs	24nos ϕ 5 850nm IR LEDs
S/N Ratio	>52 DB
Casing	Aluminum with Epoxy Powder Coating
W. Environment	-10° ~ +55°C, Non-Condensing
Power	12VDC, Max. 400mA
Dimension (mm)	87mm(ϕ) x 102mm(H), 350g

* Specification maybe changed without prior notice