

6

5

4

3

2

1

D

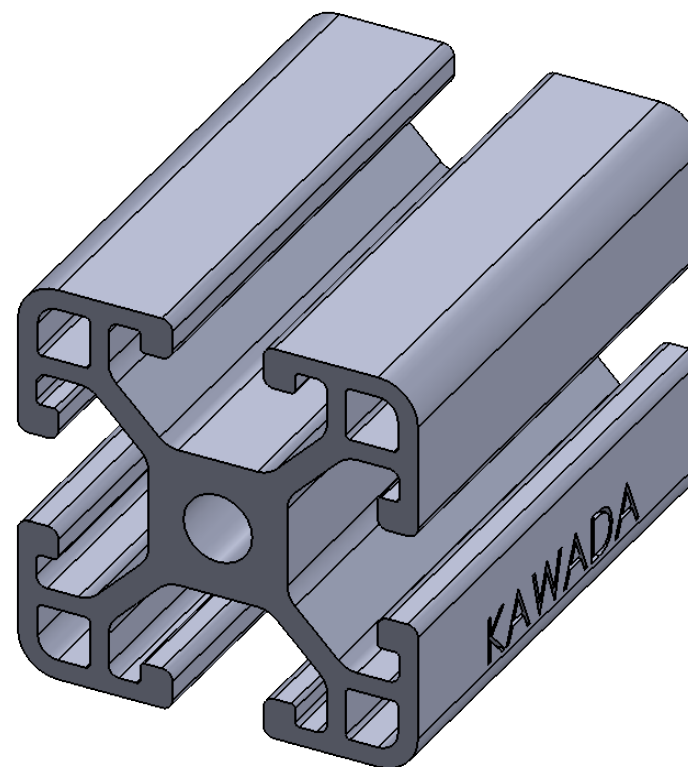
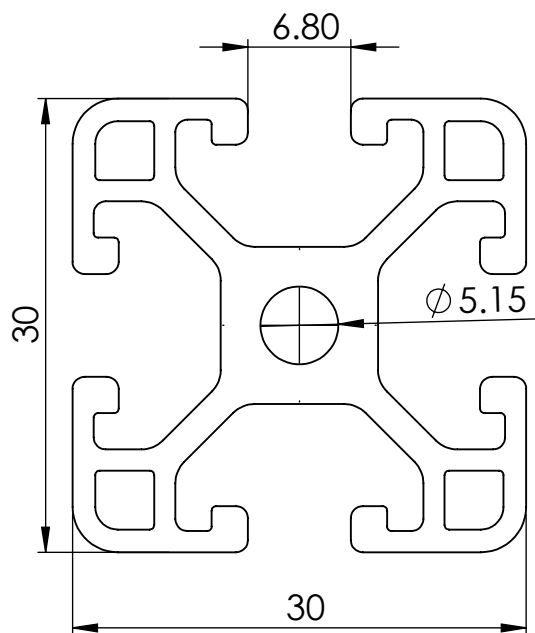
D

C

C

B

B

**Model****Material****Treatment****Drawn By**

AL-P6-30-30-1

Aluminium 6063-T5

10 microns NA

KAWADA

A

A

Kawada かわだ
Japan
Linear Bearing, Shaft

No.7, Jalan Makmur 3, Taman Perindustrian Cemerlang, 81800 Ulu Tiram, Johor Bahru, Malaysia
Email: sales@kawada.com.my
Website: www.kawada.com.my

6

5

4

3

2

1