

6

5

4

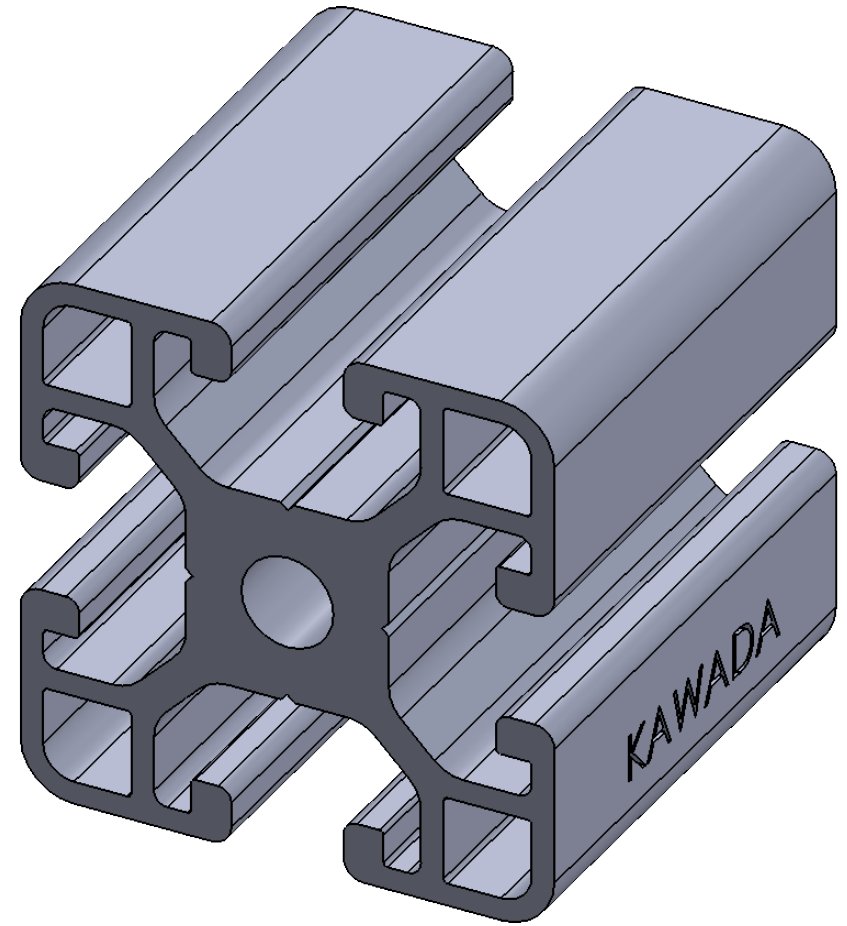
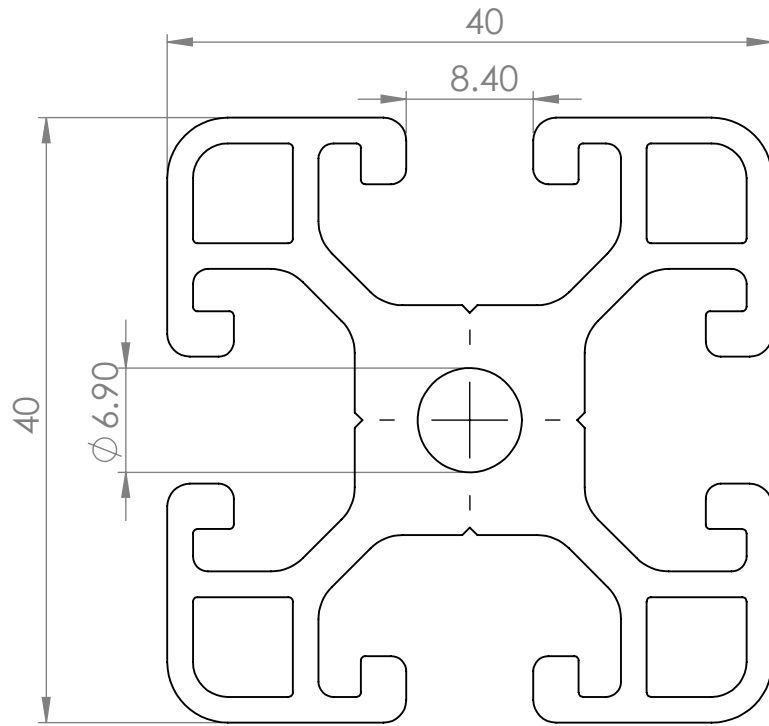
3

2

1

D

D



C

C

B

B

Model**Material****Treatment****Drawn by**

AL-P8-40-40

AL-6063-T5

10 microns NA

KAWADA

Kawada カワダ
Japan
Linear Bearing, Shaft

No.7, Jalan Makmur 3, Taman Perindustrian Cemerlang, 81800 Ulu Tiram, Johor Bahru,
Malaysia
Email: sales@kawada.com.my
Website: kawada.com.my

A

A

6

5

4

3

2

1