

6 5 4 3 2 1

D

D

C

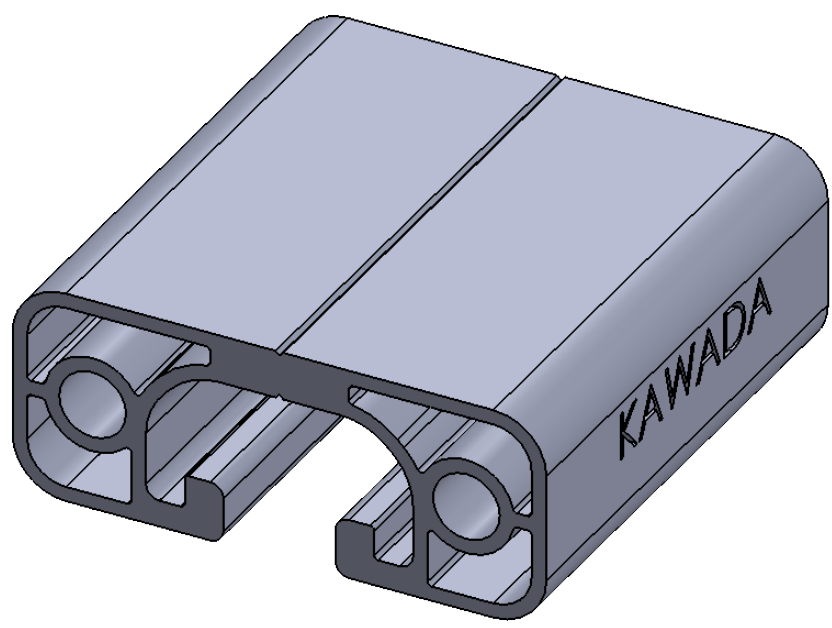
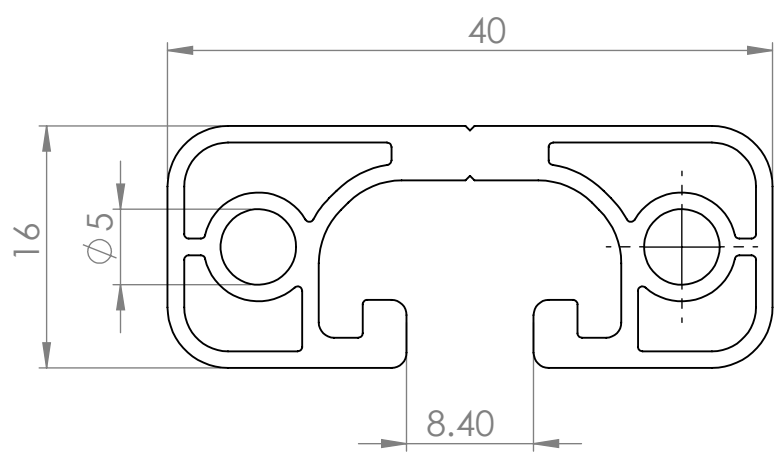
C

B

B

A

A



Model	Material	Treatment	Drawn by
AL-P8-40-16-XL	AL-6063-T5	10 microns NA	KAWADA

Kawada
Japan
Linear Bearing, Shaft

No.7, Jalan Makmur 3, Taman Perindustrian Cemerlang, 81800 Ulu Tiram, Johor Bahru, Malaysia
Email: sales@kawada.com.my
Website: kawada.com.my

6 5 4 3 2 1