

6

5

4

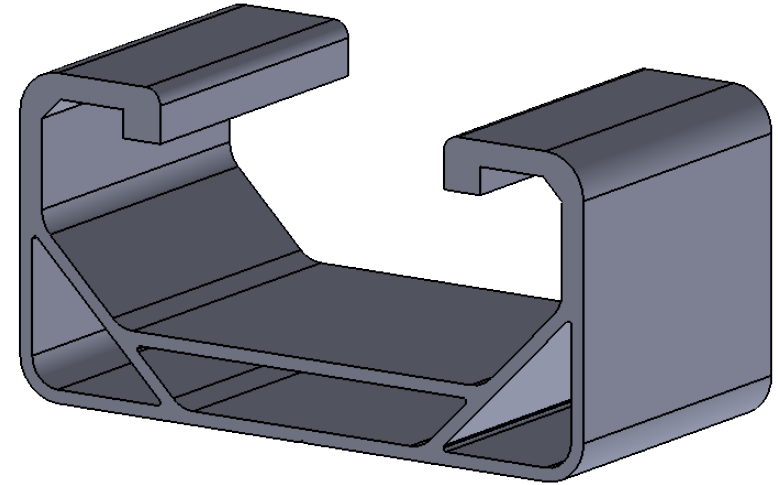
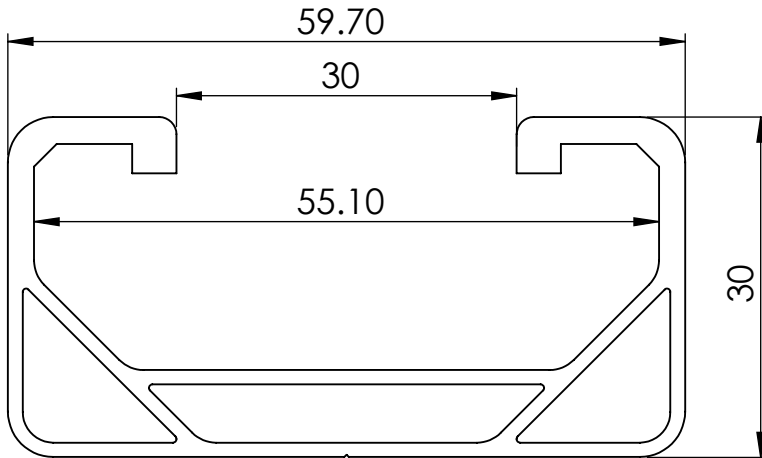
3

2

1

D

D



C

C

B

B

Model**Material****Treatment****Drawn By**

AL-LH-30X60

AL-6063-T5

10 microns NA

KAWADA

A

Kawada かわだ
Japan

Linear Bearing, Shaft

No.7, Jalan Makmur 3, Taman Perindustrian Cemerlang, 81800 Ulu Tiram,
Johor Bahru, Malaysia

Email: sales@kawada.com.my
Website: www.kawada.com.my

A

6

5

4

3

2

1