

D

C

B

A

D

C

B

A

6

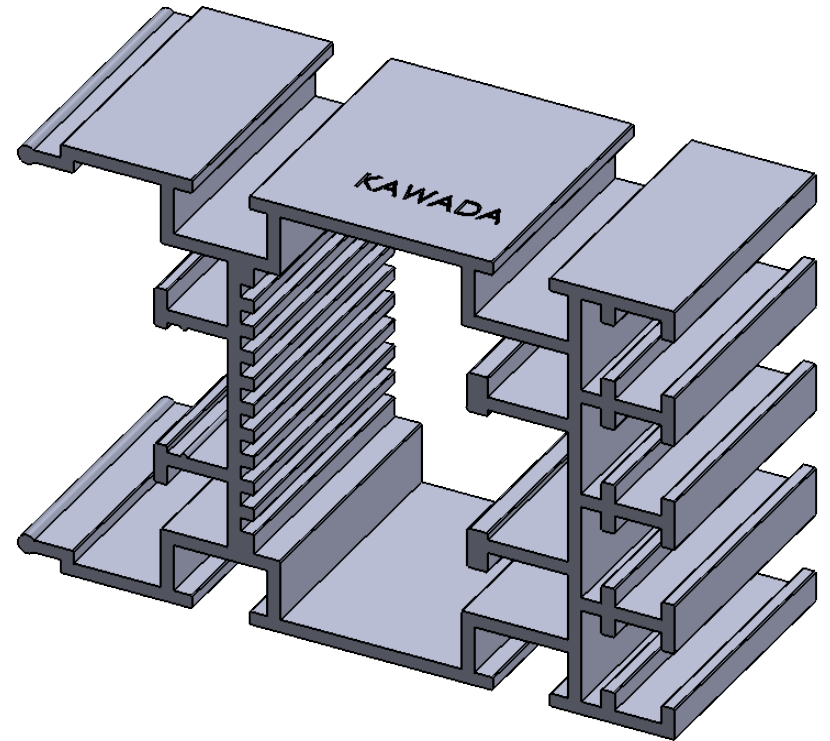
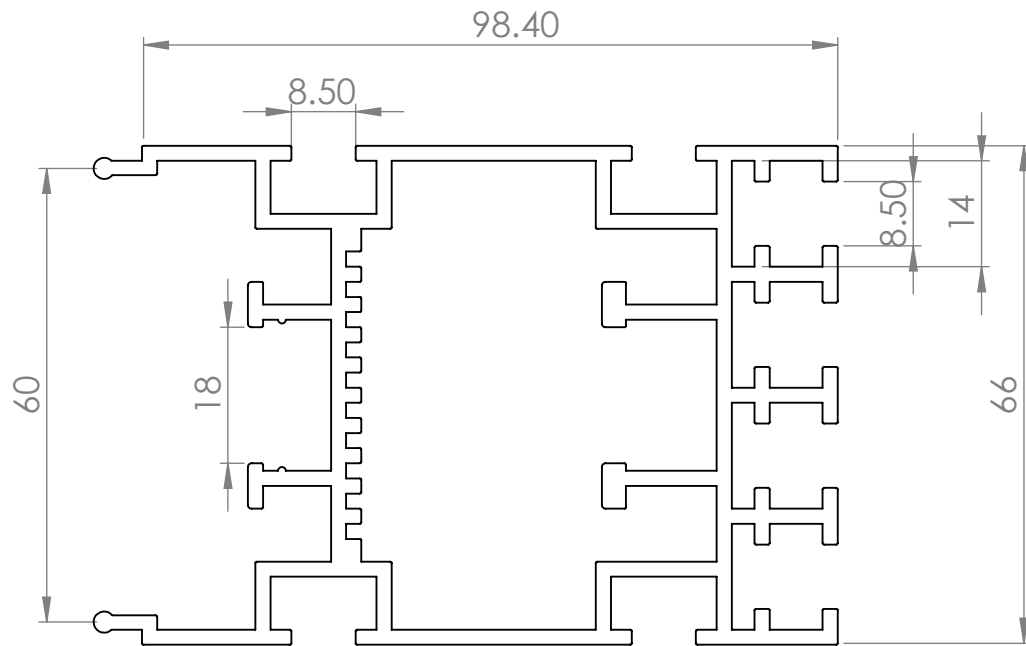
5

4

3

2

1

**Model**

AL-T6 TYPE 6 MAIN FRAME

**Material**

AL-6063-T5

**Treatment**

10 microns NA

**Drawn by**

KAWADA

**Kawada** かわだ  
Japan  
Linear Bearing, Shaft

No.7, Jalan Makmur 3, Taman Perindustrian Cemerlang, 81800 Ulu Tiram, Johor Bahru, Malaysia  
Email: [sales@kawada.com.my](mailto:sales@kawada.com.my)  
Website: [kawada.com.my](http://kawada.com.my)

6

5

4

3

2

1