

6

5

4

3

2

1

D

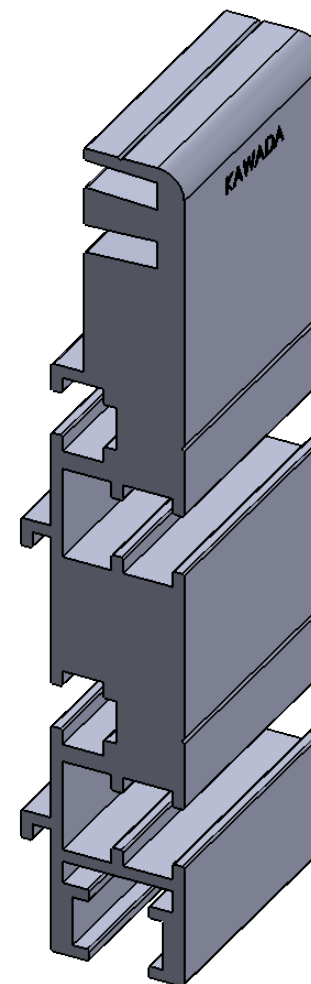
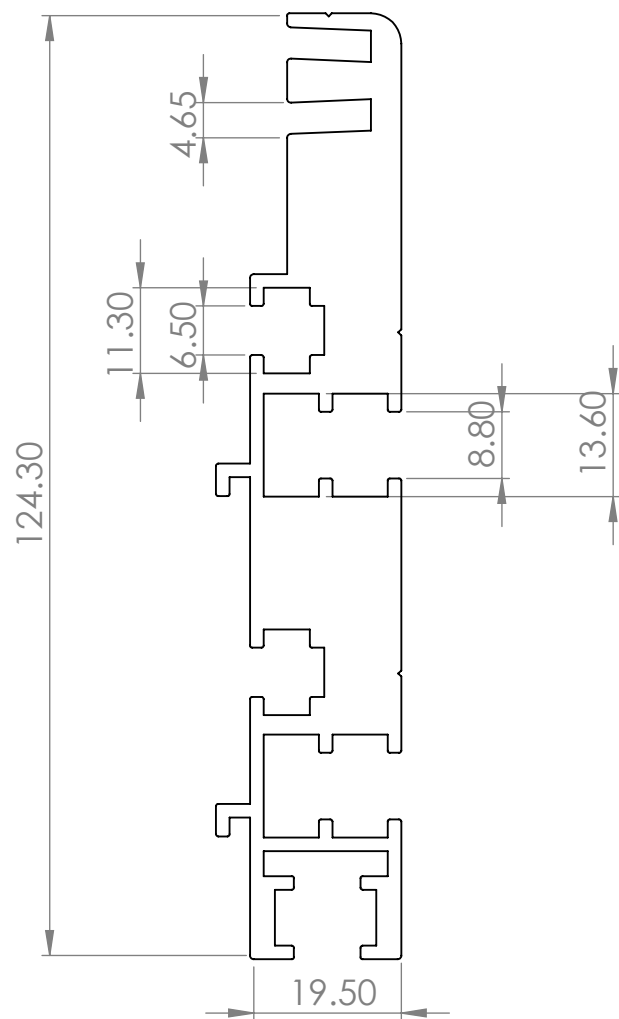
C

B

D

C

B

**Model****Material****Treatment****Drawn by**

AL-T6 TYPE 6 SIDE FRAME

AL-6063-T5

10 microns NA

KAWADA

Kawada 日本
Japan
Linear Bearing, Shaft

No.7, Jalan Makmur 3, Taman Perindustrian Cemerlang, 81800 Ulu Tiram, Johor Bahru, Malaysia
Email: sales@kawada.com.my
Website: kawada.com.my

A

A

6

5

4

3

2

1