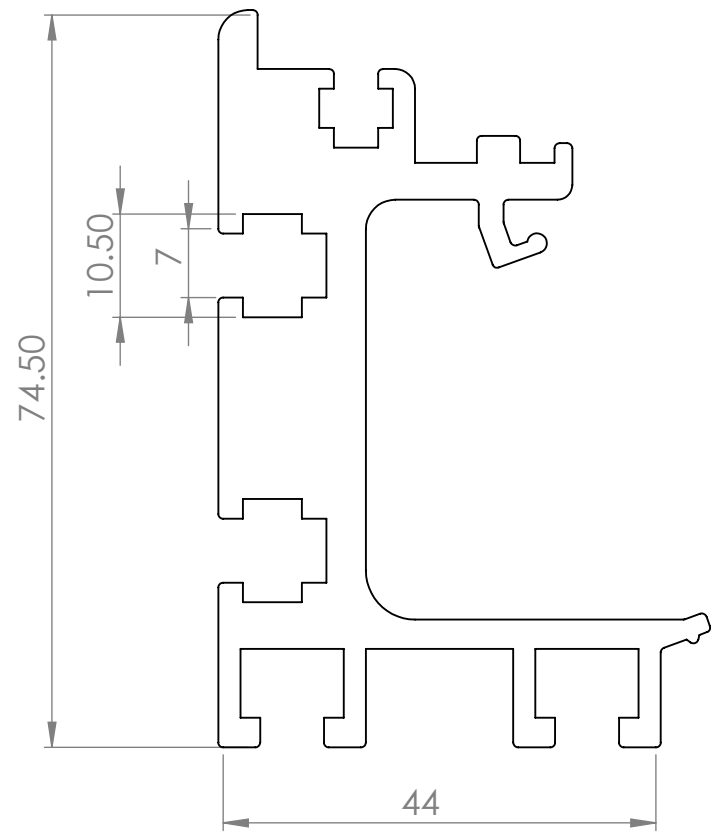


6 5 4 3 2 1

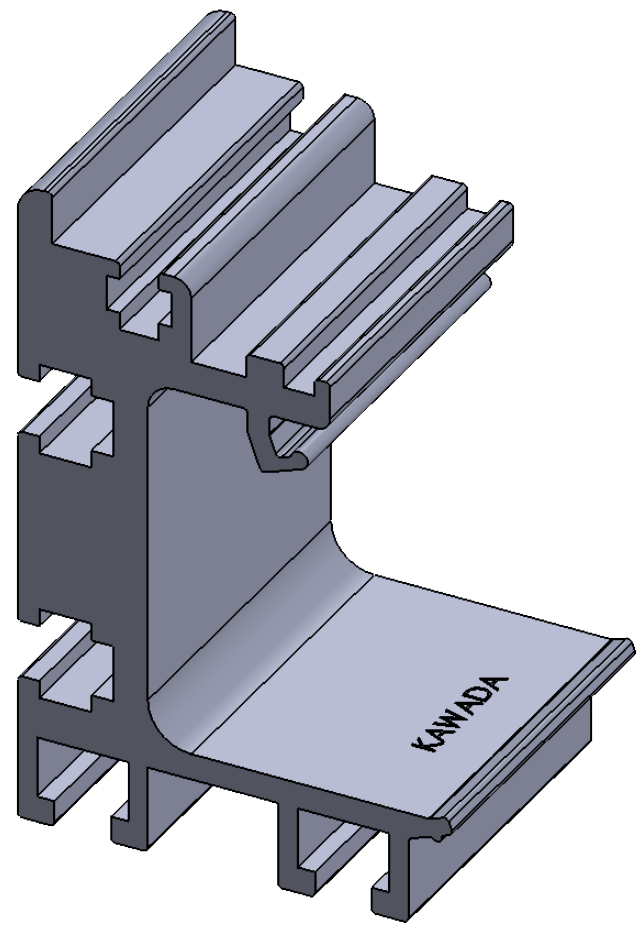
D

D



C

C



B

B

| Model | Material | Treatment | Drawn by |
|-----------|------------|---------------|----------|
| AL-PCB06B | AL-6063-T5 | 10 microns NA | KAWADA |

A

A

Kawada かわた
Japan
Linear Bearing, Shaft

No.7, Jalan Makmur 3, Taman Perindustrian Cemerlang, 81800 Ulu Tiram, Johor Bahru, Malaysia
Email: sales@kawada.com.my
Website: kawada.com.my

6 5 4 3 2 1