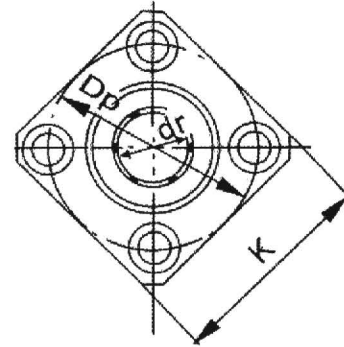
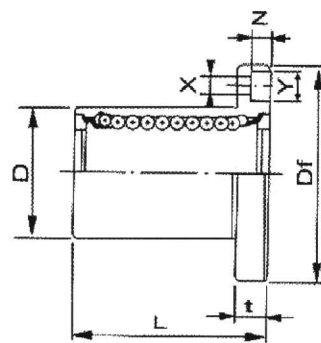


LMK < Built-in Polyamide Retainer >



This type is a metric dimension series widely used in Japan and other countries

LMK

Nominal Part No.				Major Dimensions and Tolerance								Eccentricity Squareness		Basic Load Rating		Nominal Part No.	
Standard Type	Seal Type	Ball Weight Circuit	g	dr	D	L	Flange				μm	μm	Dynamic C N	Static C N			
				Tolerance	Tolerance	Tolerance	Df	K	t	DP	X	Y	Z				
LMK 6	LMK 6UU	4	24	6	12	19	28	22	5	20	3.5	6	3.1	12	12	206	265
LMK 8S	LMK 8SUU	4	32	8	15 ⁰ _{-0.013}	17	32	25	5	24	3.5	6	3.1	12	12	176	216
LMK 8	LMK 8UU	4	37	8	15 ⁰ _{-0.009}	24	32	25	5	24	3.5	6	3.1	12	12	274	392
LMK 10	LMK 10UU	4	72	10	19	29	40	30	6	29	4.5	7.5	4.1	12	12	372	549
LMK 12	LMK 12UU	4	76	12	21 ⁰	30	42	32	6	32	4.5	7.5	4.1	12	12	510	784
LMK 13	LMK 13UU	4	88	13	23 ⁰ _{-0.016}	32	43	34	6	33	4.5	7.5	4.1	12	12	510	784
LMK 16	LMK 16UU	5	120	16	28	37	48	37	6	38	4.5	7.5	4.1	12	12	774	1,180
LMK 20	LMK 20UU	5	180	20	32 ⁰	42 ^{-0.013}	54	42	8	43	5.5	9	5.1	15	15	882	1,370
LMK 25	LMK 25UU	5	340	25	40 ⁰ _{-0.010}	59 ⁰ _{-0.019}	62	50	8	51	5.5	9	5.1	15	15	980	1,570
LMK 30	LMK 30UU	6	470	30	45	64	74	58	10	60	6.6	11	6.1	15	15	1,570	2,740
LMK 35	LMK 35UU	6	650	35	52 ⁰	70 ⁰	82	64	10	67	6.6	11	6.1	20	20	1,670	3,140
LMK 40	LMK 40UU	6	1,060	40	60 ⁰ _{-0.012}	80 ⁰ _{-0.022}	96	75	13	78	9	14	8.1	20	20	2,160	4,020
LMK 50	LMK 50UU	6	2,200	50	80	100	116	92	13	98	9	14	8.1	20	20	3,820	7,900
LMK 60	LMK 60UU	6	3,000	60 ⁰ _{-0.015}	90 ⁰ _{-0.025}	110	134	106	11	121	17	11.1		25	25	4,700	10,000

SI Unit 1N=0.102 kgf

