



ZFCM

Internally threaded 2- and 3-way valves

Valves intended for on/off control of hot or cold water in heating or cooling systems. The valves can only be used together with Regin's RVAFC actuators. The valves are available as both 2- and 3-way models.

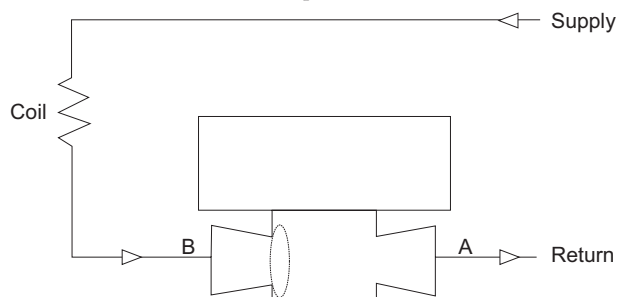
- ✓ Size DN15...DN32
- ✓ Kvs value 3.2...10
- ✓ Media temperature 2...94°C
- ✓ Pressure rating PN16
- ✓ Tight closing

Function

On demand, the valve is opened by a signal from a thermostat (supply voltage on). When the temperature reaches the desired level, the spring return mechanism will force the valve back to closed position. The sealing ball of the valve closes against the flow on the 2-way valves. In 3-way valves, the ball normally closes towards the coil side (see pictures below). On the side of the actuator there is a lever for manually opening the valve.

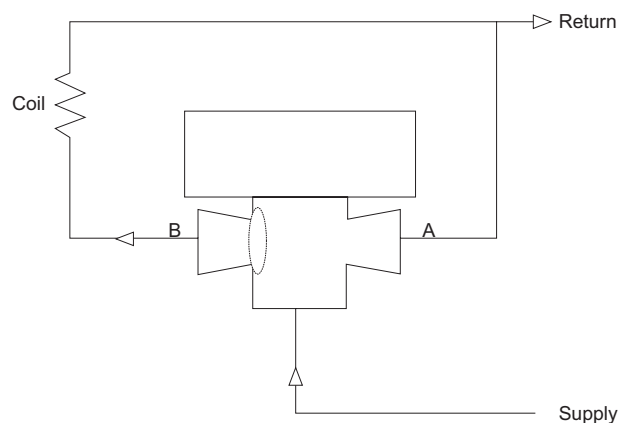
Installation

To ensure tight closure of the 2-way valve and to prevent noise when closing, it is to be mounted on the return line of the coil with the inlet on port B.



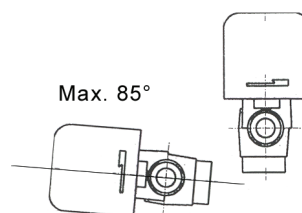
2-way valve

The 3-way valve is of diverting type and is to be mounted on the supply line at the diverting point with outlets both on port A and port B. The port B outlet should be mounted in the direction of the coil, since it is closed using the spring return of the actuator when not under power.



3-way valve

The valves should be mounted with the actuator in an upright or side position (see the picture below).



Technical data

Application	Heating systems, cooling systems, fan-coil units, ventilation systems
Max. leakage	0.0 % of the kvs value
Media	Hot water, cold water, glycol-mixed water (max. 50 % glycol)
Media temperature	2...94 °C
Pressure rating	PN16 (240 psi)
Connection	Internal thread BSP according to ISO 228/1

Material

Body	Brass CW614N
Ball	EPDM
O-rings	EPDM

2-way valves

Article	Nominal diameter	Connection	Kvs	Max. diff. pressure	Actuator
ZFCM-215X	DN15	G1/2"	3.2 m ³ /h	200 kPa (2 bar)	RVAFC-2302
ZFCM-220X	DN20	G3/4"	4.6 m ³ /h	150 kPa (1,5 bar)	RVAFC-2302
ZFCM-225X	DN25	G1"	5.7 m ³ /h	100 kPa (1 bar)	RVAFC-2302
ZFCM-232X	DN32	G1 1/4"	10 m ³ /h	80 kPa (0,8 bar)	RVAFC-2302

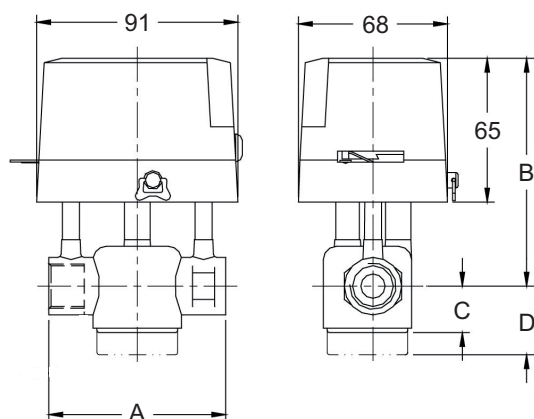
3-way valves

Article	Nominal diameter	Connection	Kvs	Max. diff. pressure	Actuator
ZFCM-315X	DN15	G1/2"	3.2 m ³ /h	150 kPa (1,5 bar)	RVAFC-2303
ZFCM-320X	DN20	G3/4"	4.6 m ³ /h	100 kPa (1 bar)	RVAFC-2303
ZFCM-325X	DN25	G1"	5.7 m ³ /h	100 kPa (1 bar)	RVAFC-2303
ZFCM-332X	DN32	G1 1/4"	8.4 m ³ /h	80 kPa (0,8 bar)	RVAFC-2303

Suitable valve actuators

Article	Valve
RVAFC-2302	ZFCM-2...
RVAFC-2303	ZFCM-3...

Dimensions



Model (valve + actuator)	A	B	C	D
ZFCM-215X + RVAFC-2302	80	103	21	-
ZFCM-315X + RVAFC-2303	80	103	-	29
ZFCM-220X + RVAFC-2302	89	103	21	-
ZFCM-320X + RVAFC-2303	89	103	-	32
ZFCM-225X + RVAFC-2302	93	103	23	-
ZFCM-325X + RVAFC-2303	93	103	-	37
ZFCM-232X + RVAFC-2302	105	110	30	-
ZFCM-332X + RVAFC-2303	105	110	-	45

Measurements in mm unless otherwise specified.