

CEILING CASSETTE E SERIES

ACK/A5CK 20E/ER

ACK/A5CK 25E/ER

ACK/A5CK 28E/ER

ACK/A5CK 40E/ER

ACK/A5CK 50E/ER



Supercedes: ACK-E-2009

Table of Contents

Nomenclature	1
Indoor	1
Outdoor.....	1
Product Line-Up.....	2
Application Information	8
Operating Range	8
Refrigerant Circuit Diagrams	9
Installation Guideline	14
Sound Data	17
Sound Pressure.....	17
NC Curve.....	18
Engineering & Physical Data	21
Performance Data	26
Calculation Steps.....	26
Performance Tables.....	28
Outlines and Dimensions	56
Wiring Diagrams	58
Service and Maintenance	72
Troubleshooting	74
Exploded View and Part List	78

“Acson” is a registered trademark of Acson International. All rights reserved.

© 2011 Acson International. All rights reserved throughout the world.

Bulletin illustrations cover the general appearance of Acson International products at the time of publication.
We reserve the right to change design and construction specifications at any time without notice.

Nomenclature

Indoor

A CK 20 ER - A C O BA

Brand

A : Acson

Refrigerant

" " : R22
 4 : R407C
 5 : R410A

Product Type

CK : Ceiling Cassette

Size

10 : 10,000 Btu/h
 15 : 15,000 Btu/h

Product series

E : E Series

Product Specification Variation

BA : First Issue

Type

O : -

Market Region

C : Export with CE Mark

Electrical Characteristics

A : 50Hz / 1Ph / 220-240V

Model

" " : Cooling Only
 R : Heat Pump

Outdoor

A LC 10 CR - A C P O A

Brand

A : Acson

Refrigerant

" " : R22
 4 : R407C
 5 : R410A

Product Type

LC: Single Split Condensing Unit

Size

10 : 10,000 Btu/h
 15 : 15,000 Btu/h

Product series

C : C Series

Model

" " : Cooling Only
 R : Heat Pump

Others

A : First Issue

Specification Variation

O : Standard
 I : Gold Fin
 G : Low Ambient Unit
 H : High Ambient Unit

Compressor

P : Panasonic
 M : Mitsubishi

Market Region

C : Export with CE Mark

Electrical Characteristics

A : 50Hz / 1Ph / 220-240V
 F : 50Hz / 3Ph / 380-415V

Product Line-Up

Indoor Unit
ACK-E Series

Model		Nomenclature	Classification												
			PCB		Fin		Refrigerant Control		Air Purification		Marking		Others		
			L2 08A		Bare		Cap Tube	W/out Cap Tube			CE		Auto Air Swing		
COOLING ONLY	20E	ACOBB	X		X			X				X		X	
	25E	ACOBB	X		X			X				X		X	
	28E	ACOBB	X		X		X					X		X	
	40E	ACOBB	X		X		X					X		X	
	50E	ACOBB	X		X		X					X		X	
HEATPUMP	20ER	ACOBB	X		X			X				X		X	
	25ER	ACOBB	X		X			X				X		X	
	28ER	ACOBB	X		X			X				X		X	
	40ER	ACOBB	X		X			X				X		X	
	50ER	ACOBB	X		X			X				X		X	

Indoor Unit
A5CK-E Series

Model		Nomenclature	Classification												
			PCB		Fin		Refrigerant Control		Air Purification		Marking		Others		
			L2	08A	Bare		W/out	Cap Tube			CE		Auto	Air Swing	
COOLING ONLY	20E	ACOBB	X		X			X				X		X	
	25E	ACOBB	X		X			X				X		X	
	28E	ACOBB	X		X			X				X		X	
	40E	ACOBB	X		X			X				X		X	
	50E	ACOBB	X		X			X				X		X	
HEATPUMP	20ER	ACOBB	X		X			X				X		X	
	25ER	ACOBB	X		X			X				X		X	
	28ER	ACOBB	X		X			X				X		X	
	40ER	ACOBB	X		X			X				X		X	
	50ER	ACOBB	X		X			X				X		X	

Indoor Unit
ACK Panel

Model		Nomenclature	Classification					
			Handset		Marking		Others	
			GS02		CE		Auto Air Swing	
COOLING ONLY	PLCKE-PGS02	X		X			X	
HEAT PUMP	PLCKER-PGS02	X		X			X	

**Outdoor Unit
ALC**

Model	Nomenclature	Classification													
		Refrigerant Control		Fin		Compressor		Safety Devices			Marking	Others			
		Cap Tube	TXV	Gold Coated	Bare	Scroll / Digital Scroll	Rotary / Fixed Scroll	Contactors	High Pressure Switch	Low Pressure Switch	Phase Sequencer	CE	High Ambient Kit	Drain Elbow	
COOLING ONLY	20C	ACPOD	X			X		X					X		
		ACPID	X		X			X					X		
		ACPHB	X			X		X					X	X	
		ACPBD	X			X		X	X				X		
	25C	ACPOD	X			X		X					X		
		ACPID	X		X			X					X		
		ACPBD	X			X		X	X				X		
		ACPHB	X			X		X					X	X	
	28C	ACHOB				X		X					X		
		ACHIB			X			X					X		
		ACHBB				X		X	X				X		
	35D	ACCOA				X	X		X	X	X		X		
		ACCIA			X		X		X	X	X		X		
	40D	ACCOA				X	X		X	X	X		X		
		ACCIA			X		X		X	X	X		X		
		FCDOA				X	X		X	X	X	X	X		
		FCDIA			X		X		X	X	X	X	X		
		AUCOA				X	X		X	X	X		X		
		FUDOA				X	X		X	X	X	X	X		
		FCCHA				X	X		X	X	X	X	X	X	
	50D	FCCJA			X		X		X	X	X	X	X	X	
		FCDOA				X	X			X	X	X	X		
		FCDIA			X		X		X	X	X	X	X		
		FUDOA				X	X		X	X	X	X	X		
FCCHA					X	X		X	X	X	X	X	X		

**Outdoor Unit
ALC**

Model	Nomenclature	Classification													
		Refrigerant Control		Fin		Compressor		Safety Devices			Marking	Others			
		Cap Tube	TXV	Gold Coated	Bare	Scroll / Digital Scroll	Rotary / Fixed Scroll	Contactors	High Pressure Switch	Low Pressure Switch	Phase Sequencer	CE	High Ambient Kit	Drain Elbow	
HEATPUMP	20CR	ACPOD	X			X		X					X		X
		ACPID	X		X			X					X		X
		ACPHB	X			X		X					X	X	X
	25CR	ACPOD	X			X		X					X		X
		ACPID	X		X			X					X		X
		ACPHB	X			X		X					X	X	X
	28CR	ACHOB	X			X		X					X		X
		ACHIB	X		X			X					X		X
	35DR	ACCOA	X	X		X	X		X	X			X		X
		ACCIA	X	X	X		X		X	X			X		X
	40DR	ACCOA	X	X		X	X		X	X			X		X
		ACCIA	X	X	X		X		X	X			X		X
		FCCOA	X	X		X	X		X	X		X	X		X
		FCCIA	X	X	X		X		X	X		X	X		X
		FCCHA	X	X		X	X		X	X		X	X	X	X
	50DR	FCCOA	X	X		X	X		X	X		X	X		X
		FCCIA	X	X	X		X		X	X		X	X		X
		FCCHA	X	X		X	X		X	X		X	X	X	X

**Outdoor Unit
A5LC**

Model		Nomenclature	Classification												
			Refrigerant Control		Fin		Compressor		Safety Devices			Marking	Others		
			Cap Tube	TXV	Gold Coated	Bare	Scroll / Digital Scroll	Rotary / Fixed Scroll	Contactors	High Pressure Switch	Low Pressure Switch	Phase Sequencer	CE	Drain Elbow	
COOLING ONLY	20C	ACPOC	X			X		X					X		
		ACPIC	X		X			X					X		
		FCPOC	X			X		X	X			X	X		
	25C	ACPOC	X			X		X					X		
		ACPIC	X		X			X					X		
		FCPOC	X			X		X	X			X	X		
	28C	ACPOA	X			X		X					X		
		ACPIA	X		X			X					X		
		FCPOA	X			X		X	X			X	X		
	35D	ACCOA	X			X	X		X	X	X		X		
		ACCIA	X		X		X		X	X	X		X		
		FCCOA	X			X	X		X	X	X	X	X		
		FCCIA	X		X		X		X	X	X	X	X		
	40D	ACCOA	X			X	X		X	X	X		X		
		ACCIA	X		X		X		X	X	X		X		
		FCCOA	X		X		X		X	X	X	X	X		
		FCCIA	X			X	X		X	X	X	X	X		
	50D	FCCOA	X			X	X		X	X	X	X	X		
		FCCIA	X		X		X		X	X	X	X	X		

**Outdoor Unit
A5LC**

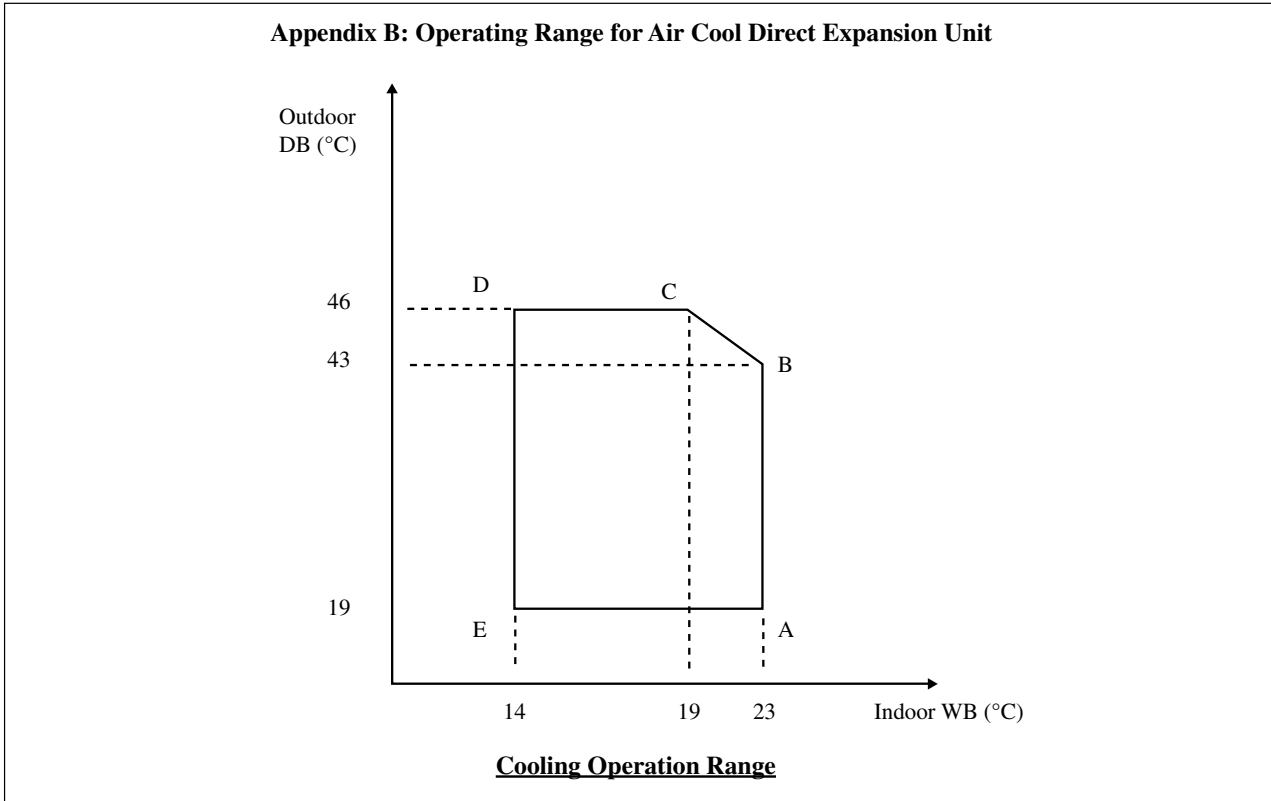
Model		Nomenclature	Classification												
			Refrigerant Control		Fin		Compressor		Safety Devices			Marking	Others		
			Cap Tube	TXV	Gold Coated	Bare	Scroll / Digital Scroll	Rotary / Fixed Scroll	Contactors	High Pressure Switch	Low Pressure Switch	Phase Sequencer	CE	Drain Elbow	
HEATPUMP	20CR	ACPOC	X			X		X					X		X
		ACPIC	X		X			X					X		X
		FCPOC	X			X		X	X			X	X		X
	25CR	ACPOC	X			X		X					X		X
		ACPIC	X		X			X					X		X
		FCPOC	X			X		X	X			X	X		X
	28CR	ACPOA	X			X		X					X		X
		ACPIA	X		X			X					X		X
		FCPOA	X			X		X	X			X	X		X
	35DR	ACCOA	X			X	X		X	X	X		X		X
		ACCIA	X		X		X		X	X	X		X		X
		FCCOA	X			X	X		X	X	X	X	X		X
		FCCIA	X		X		X		X	X	X	X	X		X
	40DR	ACCOA	X			X	X		X	X	X		X		X
		ACCIA	X		X		X		X	X	X		X		X
		FCCOA	X			X	X		X	X	X	X	X		X
		FCCIA	X		X		X		X	X	X	X	X		X
	50DR	FCCOA	X			X	X		X	X	X	X	X		X
		FCCIA	X		X		X		X	X	X	X	X		X

Application Information

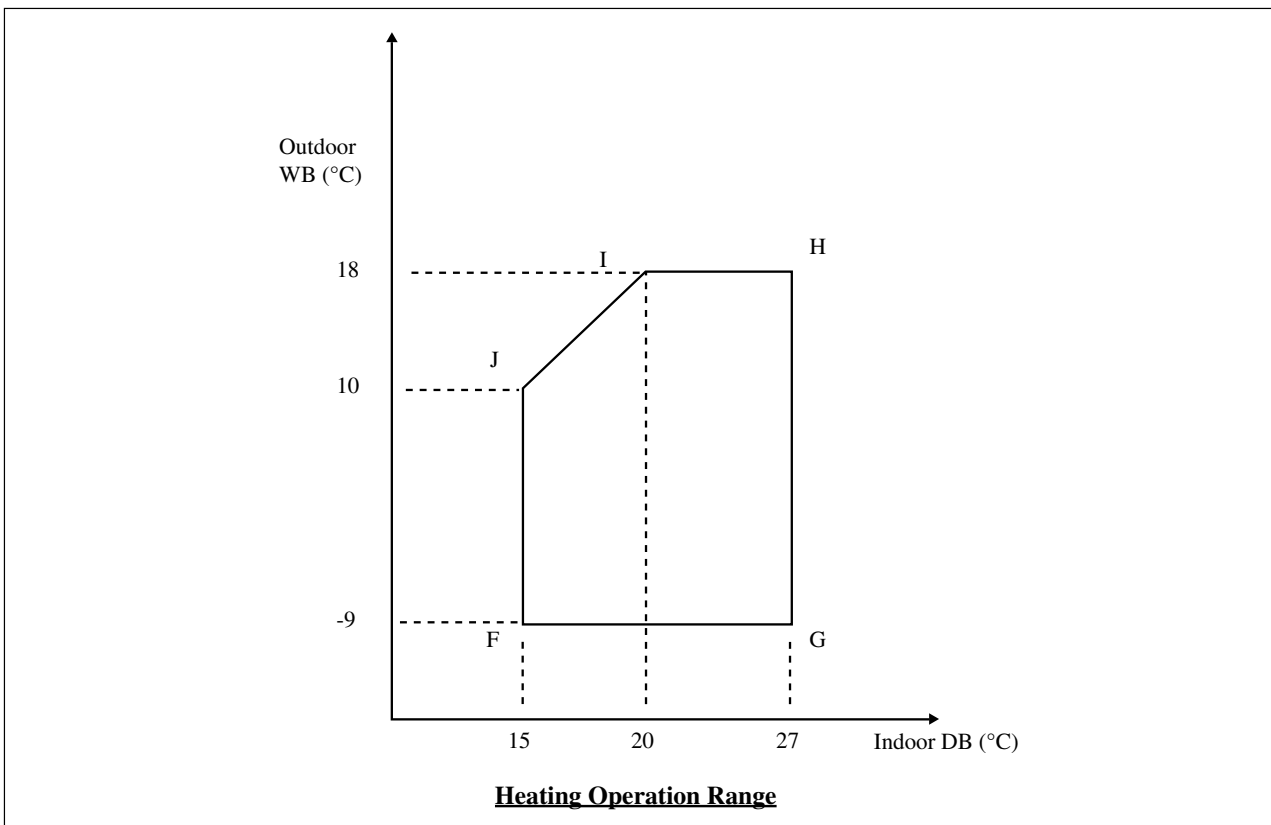
Operating Range

Ensure the operating temperature is in allowable range.

Cooling



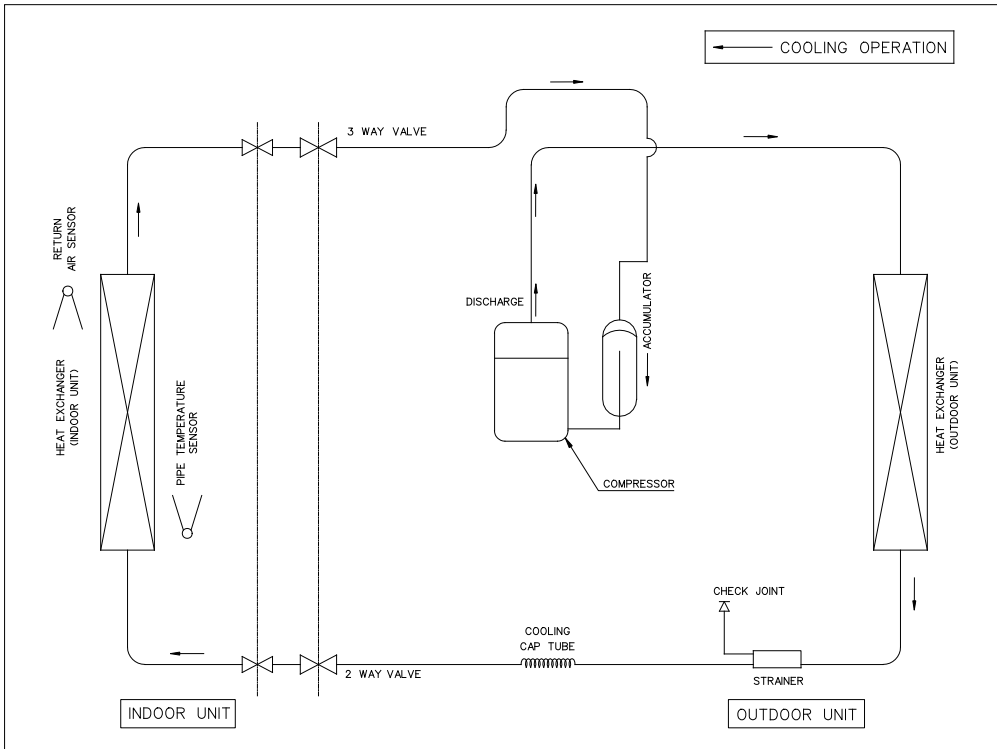
Heating



Refrigerant Circuit Diagrams

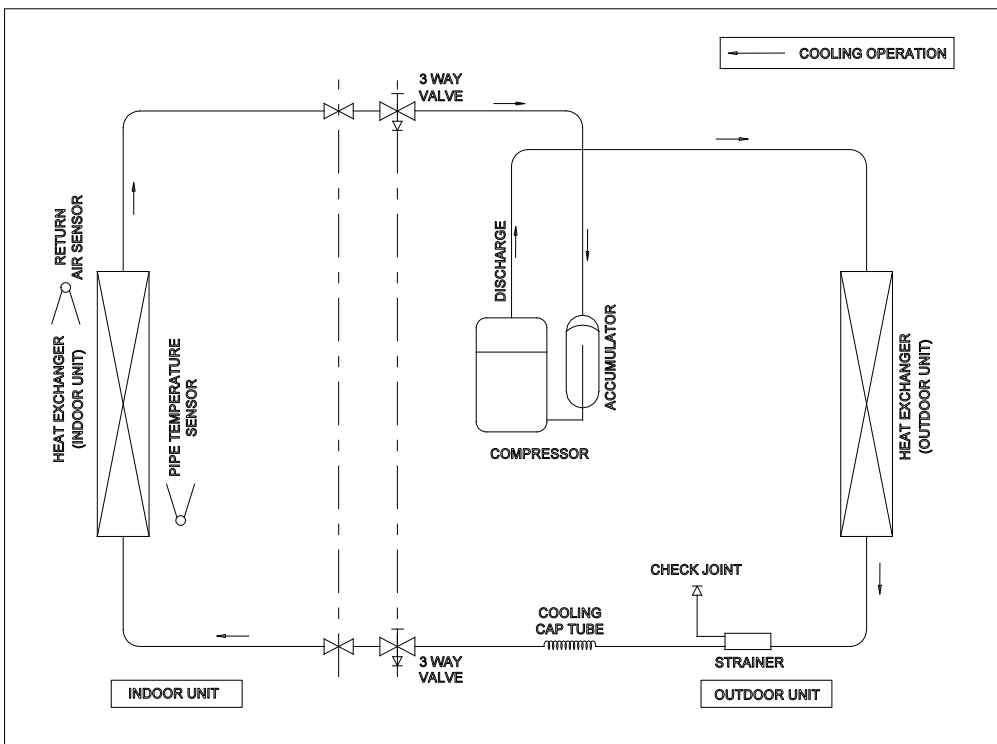
Model: ACK 20E - ALC 20C
A5CK 20E - A5LC 20C

A5CK 25E - A5LC 25C



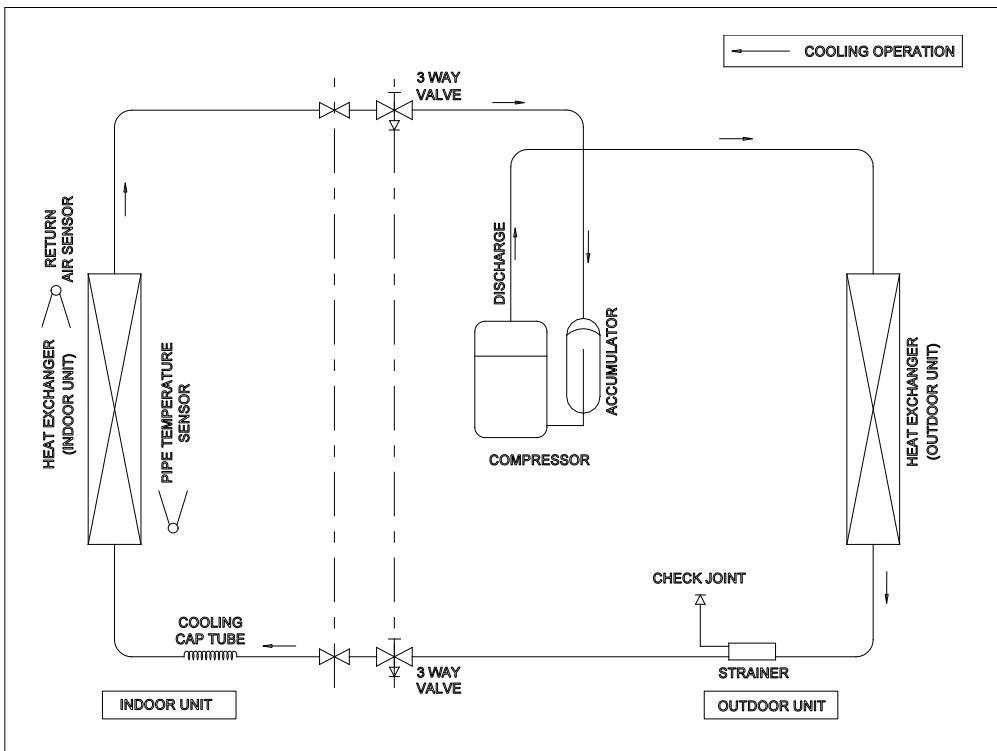
70034 095231

Model: ACK 25E - ALC 25C
A5CK 28E - A5LC 28C



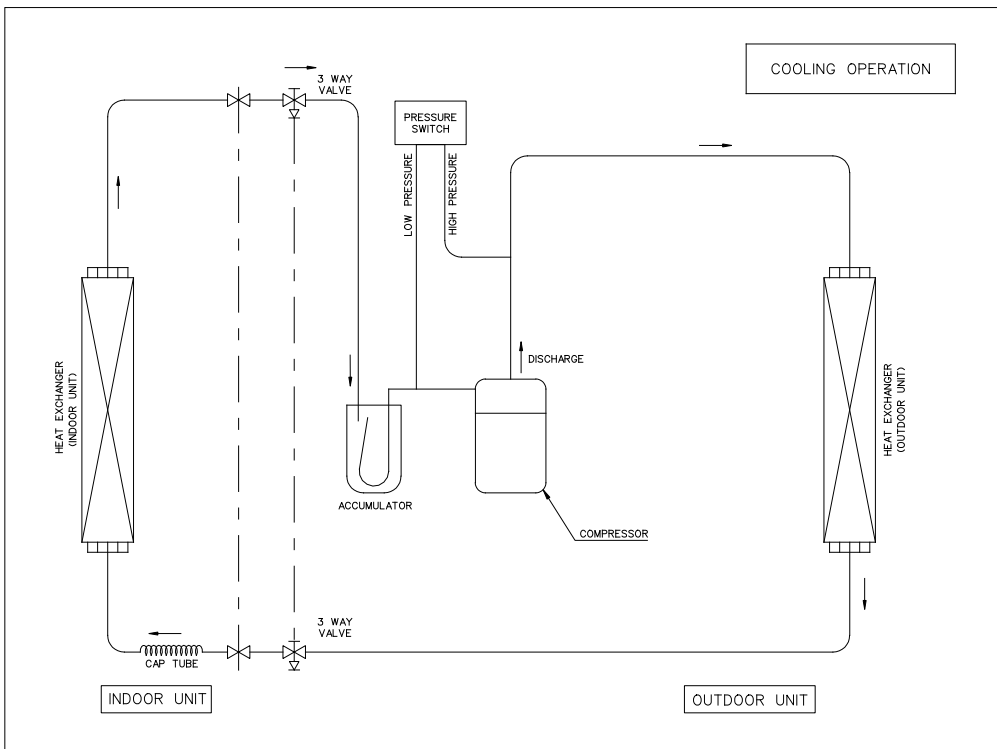
70034 049972

Model: ACK 28E - ALC 28C



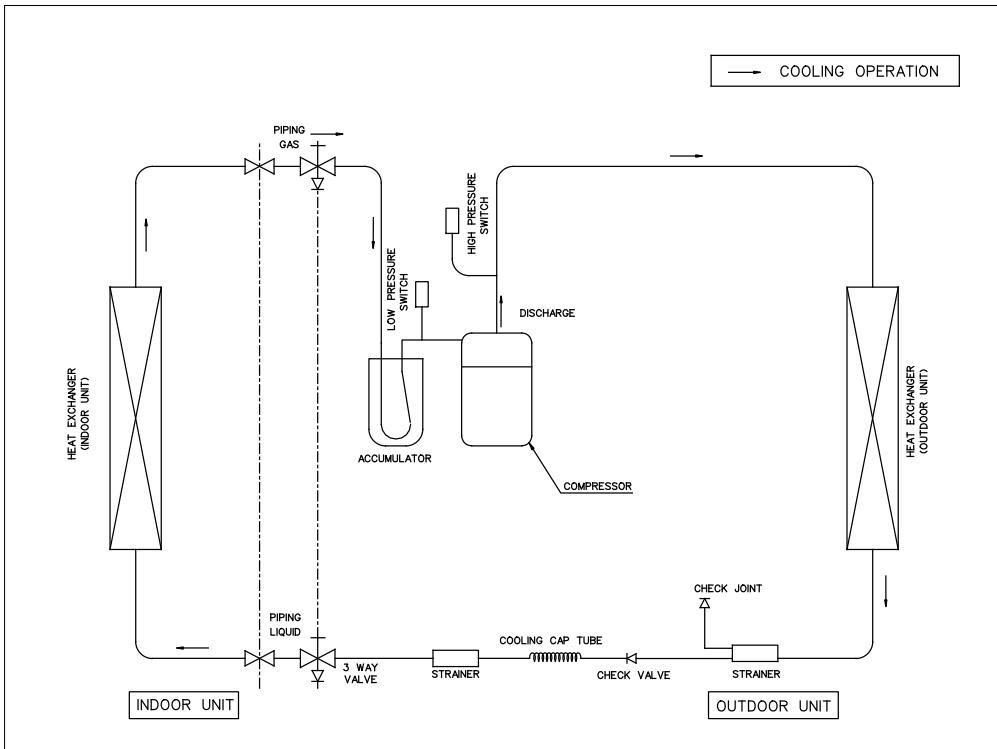
70034 049972

**Model: ACK 40E - ALC 35/40D
ACK 50E - ALC 50D**



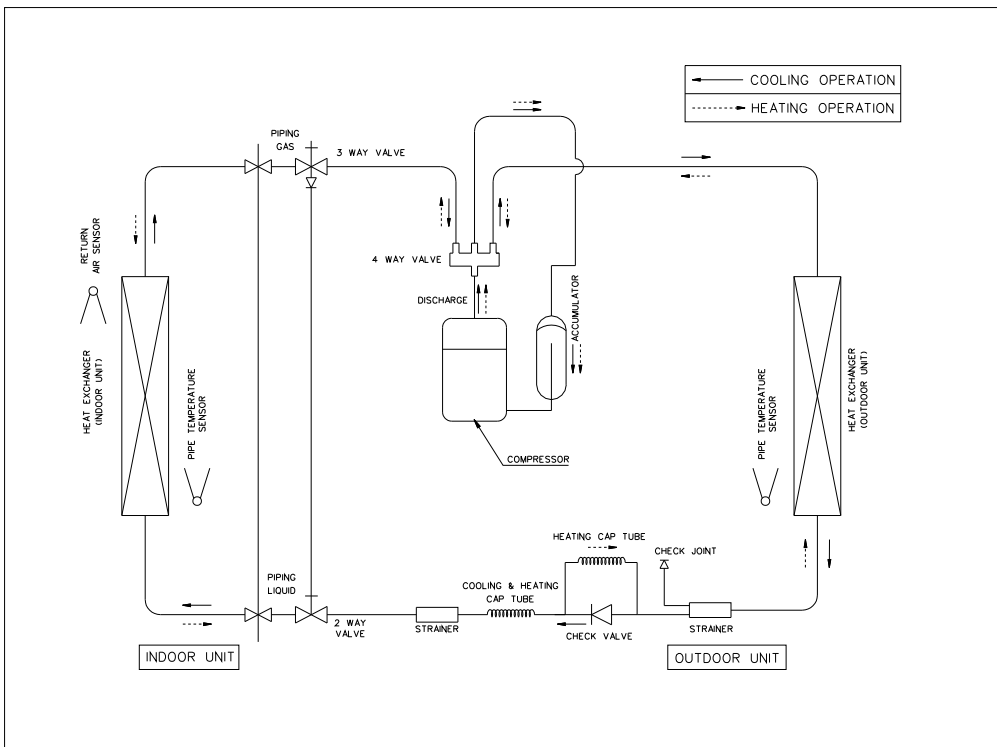
70034 049181

**Model: A5CK 40E - A5LC 35/40D
A5CK 50E - A5LC 50D**



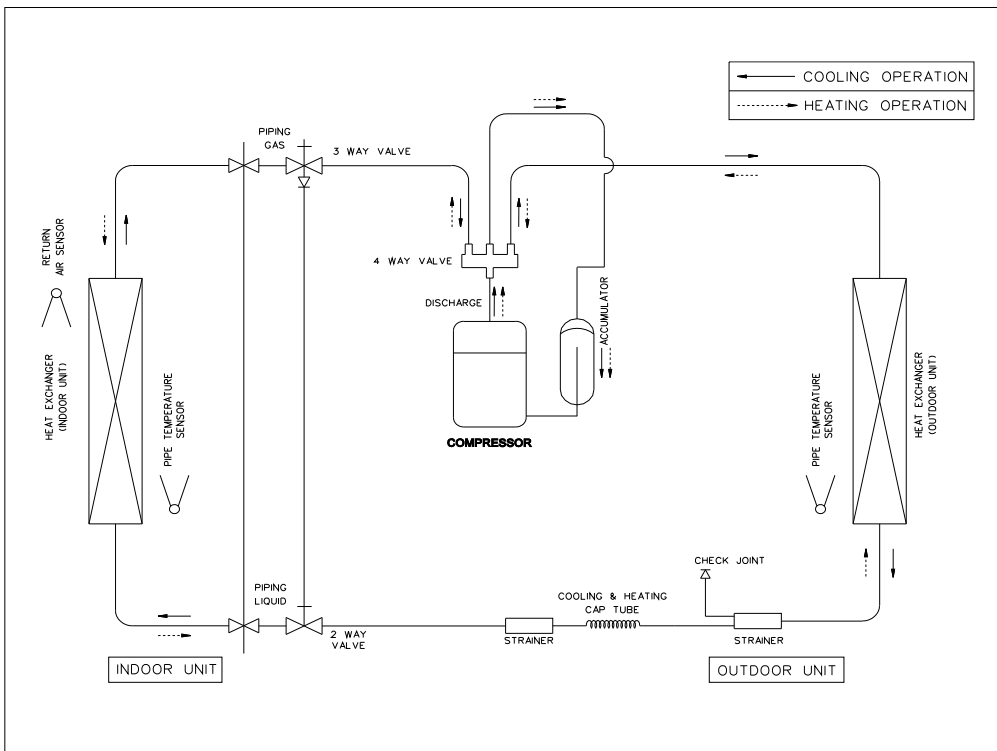
70034 097007

**Model: ACK/A5CK 20ER - ALC/A5LC 20CR
A5CK 25ER - A5LC 25CR**



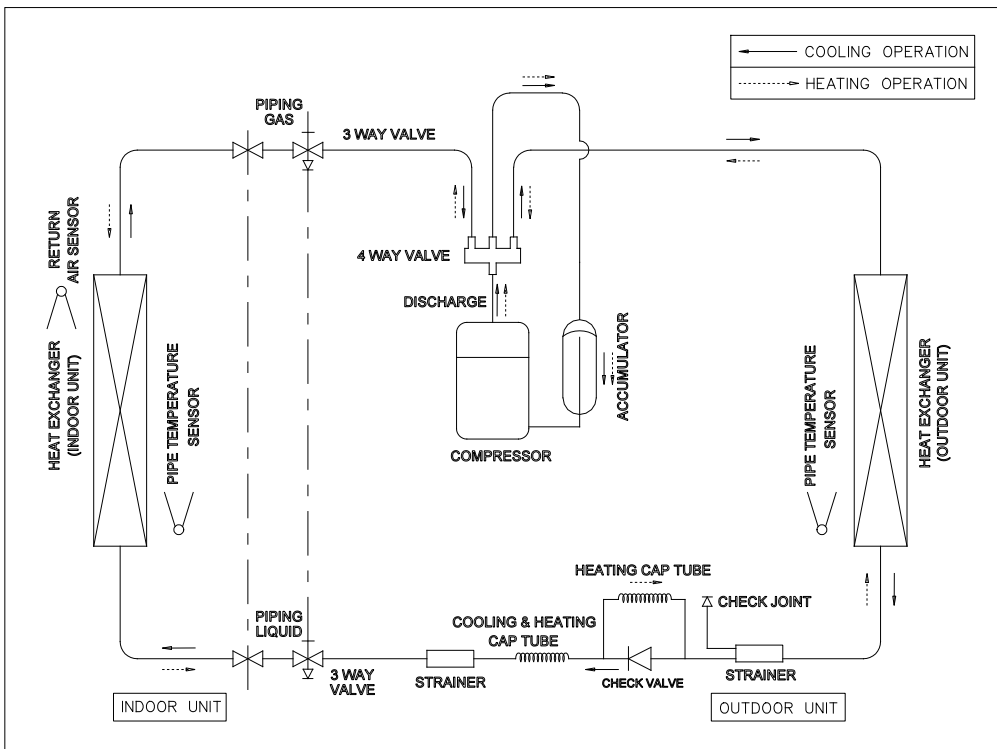
70034 095238

Model: ACK 25ER - ALC 25CR



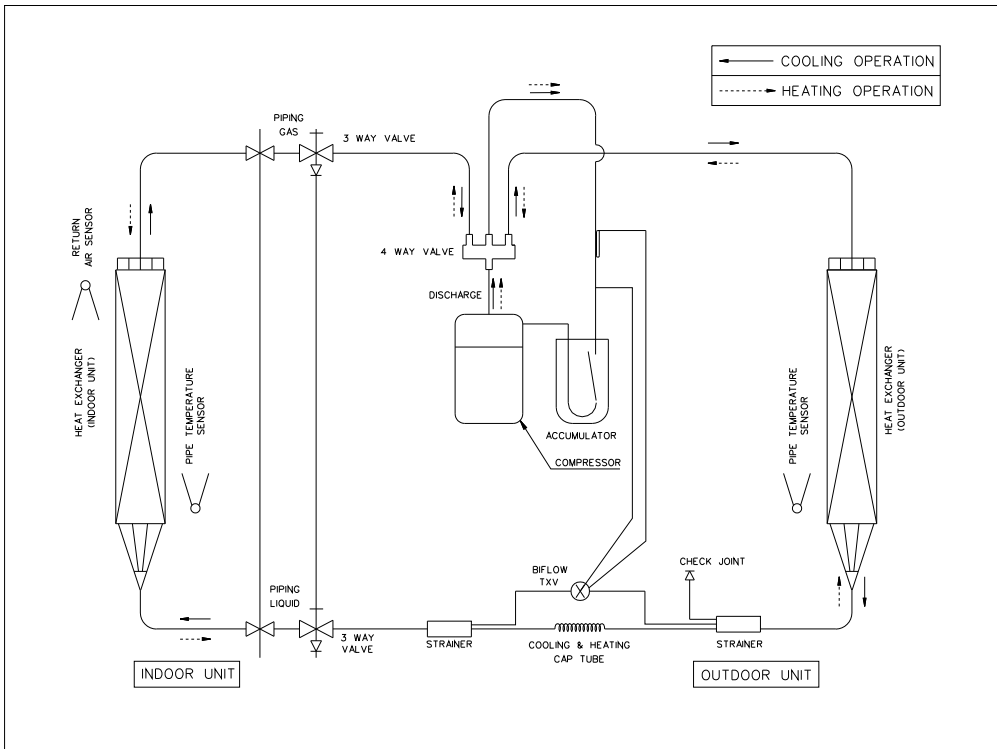
70034 049972

Model: ACK/A5CK 28ER - ALC/A5LC 28CR



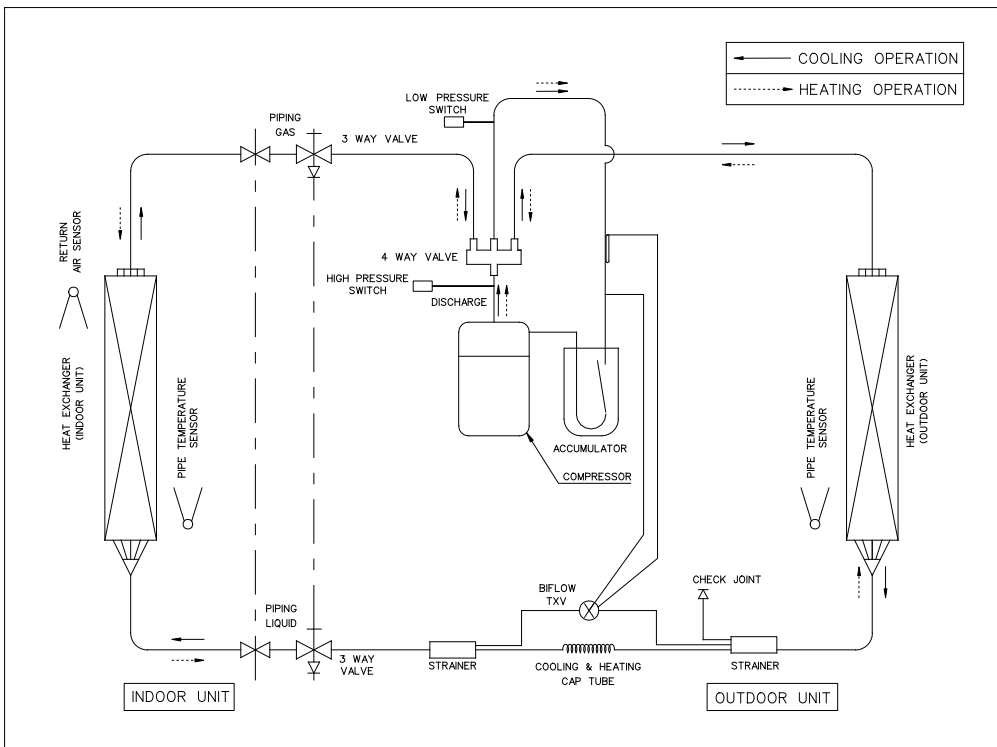
70034 049181

Model: ACK 40ER - ALC 35/40DR
ACK 50ER - ALC 50DR



70034 095246

Model: A5CK 40ER - A5LC 35/40DR
A5CK 50ER - A5LC 50DR

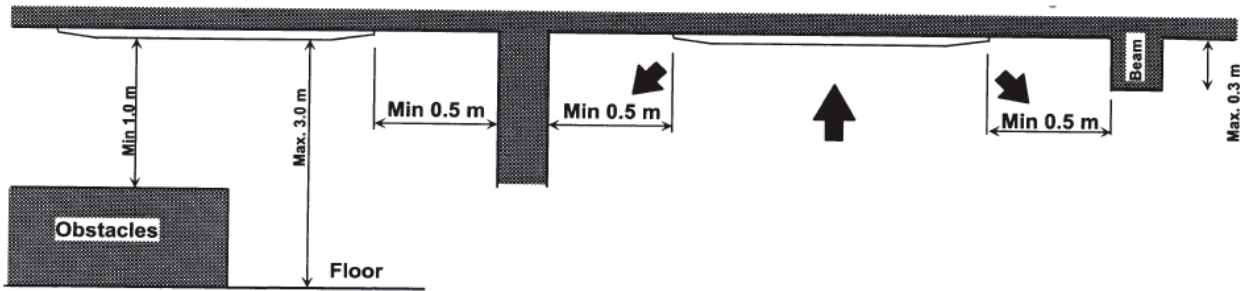


08014 085116

Installation Guideline

1) Indoor Installation Clearance

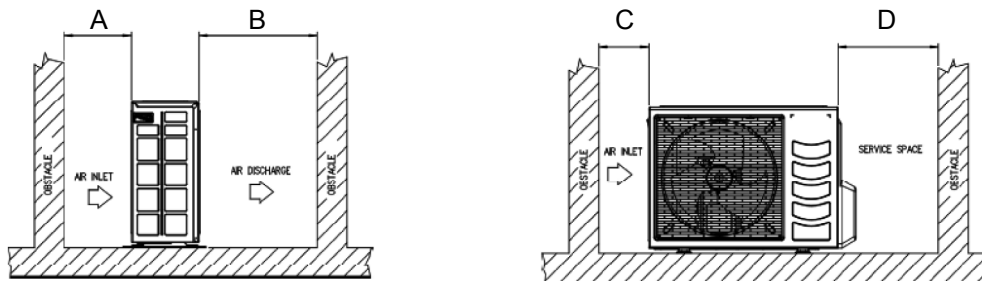
Clearance must be provided for the indoor unit from wall and obstacles as shown in figure below.



The installation place (handling ceiling surface) must be level and the height in the ceiling is 350mm or more.

2) Outdoor Installation Clearance

Outdoor unit must be installed such that there is no short circuit of the hot discharge air or obstruction to smooth air flow. Select the coolest possible place where intake air should not hot than the outside temperature (Max. 45°C).



ALL MODELS	A	B	C	D
Minimum Distance	300 mm	1000 mm	300 mm	500 mm

CAUTION: If the condensing unit is operated in an atmosphere containing oils (including machine oils), salt (coastal area), sulphide gas (near hot spring, oil refinery plant), such substances may lead to failure of the unit.

3) Cable Size

Cooling only

Model	Indoor	A(5)CK20E	A(5)CK25E	A(5)CK28E	A(5)CK40E
	Outdoor	A(5)LC20C	A(5)LC25C	A(5)LC28C	A(5)LC35D
Power supply cable size	mm ²	2.5	2.5	4.0	4.0
Number of wire		3	3	3	3
Interconnection cable size	mm ²	2.5	2.5	2.5	2.5
Number of wire		3	3	3	4
Recommended fuse	A	13	18	25	25

Model	Indoor	A(5)CK40E	A(5)CK40E	A(5)CK40E	A(5)CK50E
	Outdoor	A(5)LC40D	A(5)LC35D	A(5)LC40D	A(5)LC50D
Power supply cable size	mm ²	4.0	2.5	2.5	2.5
Number of wire		3	5	5	5
Interconnection cable size	mm ²	2.5	1.5	1.5	1.5
Number of wire		4	4	4	4
Recommended fuse	A	30	10	13	18

3 Phase (380-415V/3Ph/50Hz)

Heatpump

Model	Indoor	A(5)CK20ER	A(5)CK25ER	A(5)CK28ER	A(5)CK40ER
	Outdoor	A(5)LC20CR	A(5)LC25CR	A(5)LC28CR	A(5)LC35DR
Power supply cable size Number of wire	mm ²	2.5 3	2.5 3	4.0 3	4.0 3
Interconnection cable size Number of wire	mm ²	2.5 5	2.5 5	2.5 5	2.5 3 & 4
Recommended fuse	A	13	18	18	25

Model	Indoor	A(5)CK40ER	A(5)CK40ER	A(5)CK40ER	A(5)CK50ER
	Outdoor	A(5)LC40DR	A(5)LC35DR	A(5)LC40DR	A(5)LC50DR
Power supply cable size Number of wire	mm ²	4.0 3	2.5 5	2.5 5	2.5 5
Interconnection cable size Number of wire	mm ²	2.5 3 & 4	1.5 3 & 4	1.5 3 & 4	1.5 3 & 4
Recommended fuse	A	30	10	13	13

3 Phase (380-415V/3Ph/50Hz)

4) Refrigerant Piping

Maximum Piping Length and Maximum Number of Bends

When the pipe length becomes too long, both the capacity and reliability drop. As the number of bends increases, system piping resistance to the refrigerant low increases, thus lowering the cooling capacity, and as the result the compressor may become defective. Always choose the shortest path and follow the recommendation as tabulated below:

Model	Indoor	A(5)20E/ER	A(5)25E/ER	A(5)28E/ER	A(5)40E/ER	A(5)50E/ER
	Outdoor	A(5)LC20C/CR	A(5)LC25C/CR	A(5)LC28C/CR	A(5)LC 35/40D/DR	A(5)LC 50D/DR DR
Max. Length, m		15	15	15	45	45
Max. Elevation, m		8	8	8	25	25
Max. No. of Bends		10	10	10	10	10

Piping sizes (f are connection type) are as follows:

R22

Model	ALC 20C/CR	ALC 25C/CR	ALC 28C/CR
Liquid (mm/in)	6.35 / 1/4	9.52 / 3/8	9.52 / 3/8
Suction (mm/in)	15.88 / 5/8	15.88 / 5/8	15.88 / 5/8

Model	ALC 35D/DR	ALC 40D/DR	ALC 50D/DR
Liquid (mm/in)	9.52 / 3/8	9.52 / 3/8	9.52 / 3/8
Suction (mm/in)	15.88 / 5/8	15.88 / 5/8	19.05 / 3/4

R410A

Model	A5LC 20C/CR	A5LC 25C/CR	A5LC 28C/CR
Liquid (mm/in)	6.35 / 1/4	6.35 / 1/4	9.52 / 3/8
Suction (mm/in)	12.70 / 1/2	15.88 / 5/8	15.88 / 5/8

Model	A5LC 35D/DR	A5LC 40D/DR	A5LC 50D/DR
Liquid (mm/in)	9.52 / 3/8	9.52 / 3/8	9.52 / 3/8
Suction (mm/in)	15.88 / 5/8	15.88 / 5/8	15.88 / 5/8

5) Additional Charge

- The refrigerant charge has already charged into the outdoor unit. For the piping length of 7.5m, additional refrigerant charge after vacuuming is not necessary.
- When the piping length is more than 7.5m, please use the table below (unit in gram).

R22 – Cooling Only

Indoor	ACK20E	ACK25E	ACK28E	ACK40E			ACK50E
Outdoor	ALC20C	ALC25C	ALC28C	ALC35D	ALC40D(1Φ)	ALC40D(3Φ)	ALC50D
Add. Charge (g/m)	38	38	55	56	55	56	55

R22 – Heatpump

Indoor	ACK20ER	ACK25ER	ACK28ER	ACK40ER			ACK50ER
Outdoor	ALC20CR	ALC25CR	ALC28CR	ALC35DR	ALC40DR(1Φ)	ALC40DR(3Φ)	ALC50DR
Add. Charge (g/m)	22	57	58	57	56	56	64

R410A – Cooling Only

Indoor	A5CK20E	A5CK25E	A5CK28E	A5CK40E				A5CK50E
Outdoor	A5LC20C	A5LC25C	A5LC28C	A5LC35D(1Φ)	A5LC35D(3Φ)	A5LC40D(1Φ)	A5LC40D(3Φ)	A5LC50D
Add. Charge (g/m)	9	46	23	27	27	24	25	24

R410A – Heatpump

Indoor	A5CK20ER	A5CK25ER	A5CK28ER	A5CK40ER				A5CK50ER
Outdoor	A5LC20CR	A5LC25CR	A5LC28CR	A5LC35DR(1Φ)	A5LC35DR(3Φ)	A5LC40DR(1Φ)	A5LC40DR(3Φ)	A5LC50DR
Add. Charge (g/m)	16	72	41	43	41	37	37	38

Example:

ACK25E & ALC25C with 13m piping length, additional piping length is 5.5m. Thus,

$$\begin{aligned} \text{Additional Charge} &= 5.5\text{m} \times 38\text{g/m} \\ &= 209\text{g} \end{aligned}$$

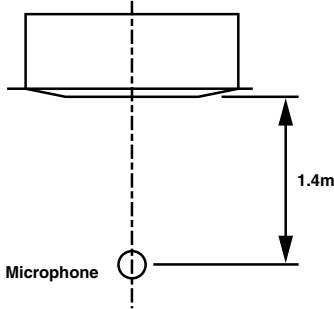
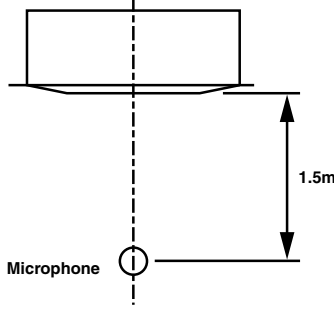
Sound Data

Sound Pressure

ACK/A5CK-E/ER

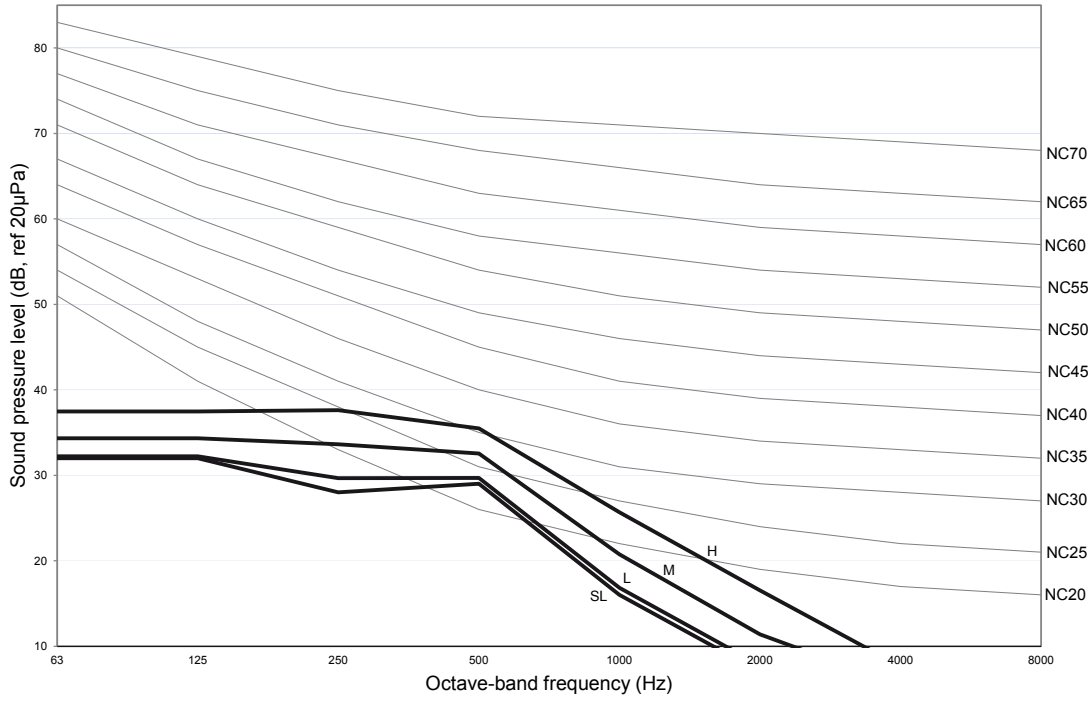
Model	Speed	1/1 Octave A-Weighted Sound Pressure (dBA), ref 20μPa							Overall A (dBA)	Noise Criteria
		125Hz	250Hz	500Hz	1kHz	2kHz	4kHz	8kHz		
ACK/A5CK 20E/ER	High	37	38	35	26	17	8	6	34	30
	Medium	34	34	33	21	11	5	6	31	28
	Low	32	30	30	17	8	4	5	28	24
	Super Low	32	28	29	16	7	4	5	27	23
ACK/A5CK 25E/ER	High	39	40	37	29	22	13	6	37	32
	Medium	37	38	35	26	18	9	5	34	30
	Low	35	35	32	22	13	6	5	31	26
	Super Low	34	34	31	20	10	5	6	30	25
ACK/A5CK 28E/ER	High	45	43	42	35	29	22	11	41	37
	Medium	40	41	39	30	24	15	7	38	34
	Low	38	38	35	26	19	9	5	35	30
	Super Low	35	35	33	23	14	5	4	32	28
ACK/A5CK 40E/ER	High	48	45	44	38	30	28	15	44	39
	Medium	49	42	41	34	25	21	8	41	36
	Low	48	39	38	31	21	13	6	38	33
	Super Low	45	35	36	26	15	5	5	35	31
ACK/A5CK 50E/ER	High	50	48	46	42	33	32	20	47	41
	Medium	52	45	43	38	29	27	13	44	38
	Low	53	43	42	37	27	24	10	43	37
	Super Low	51	41	39	32	23	16	6	39	34

Part Number: 00016300AB

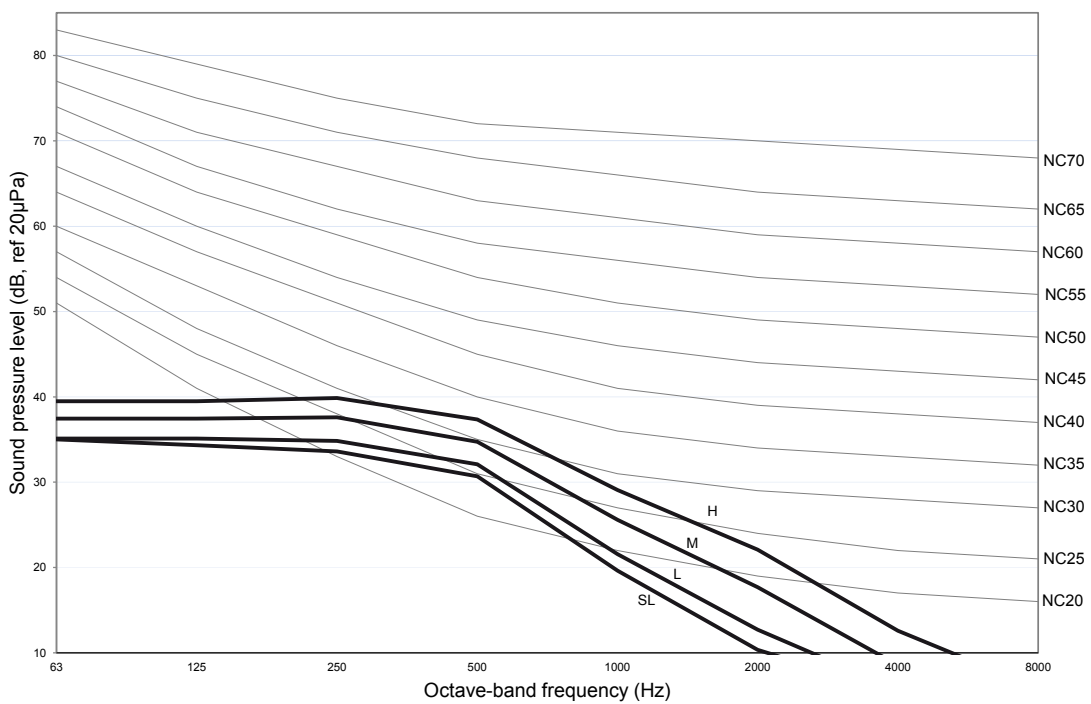
Model	Measuring location
ACK/A5CK 20E/ER ACK/A5CK 25E/ER ACK/A5CK 28E/ER	 <p>Standard: JIS C 9612</p>
ACK/A5CK 40E/ER ACK/A5CK 50E/ER	 <p>Standard: JIS B 8616</p>

NC Curve

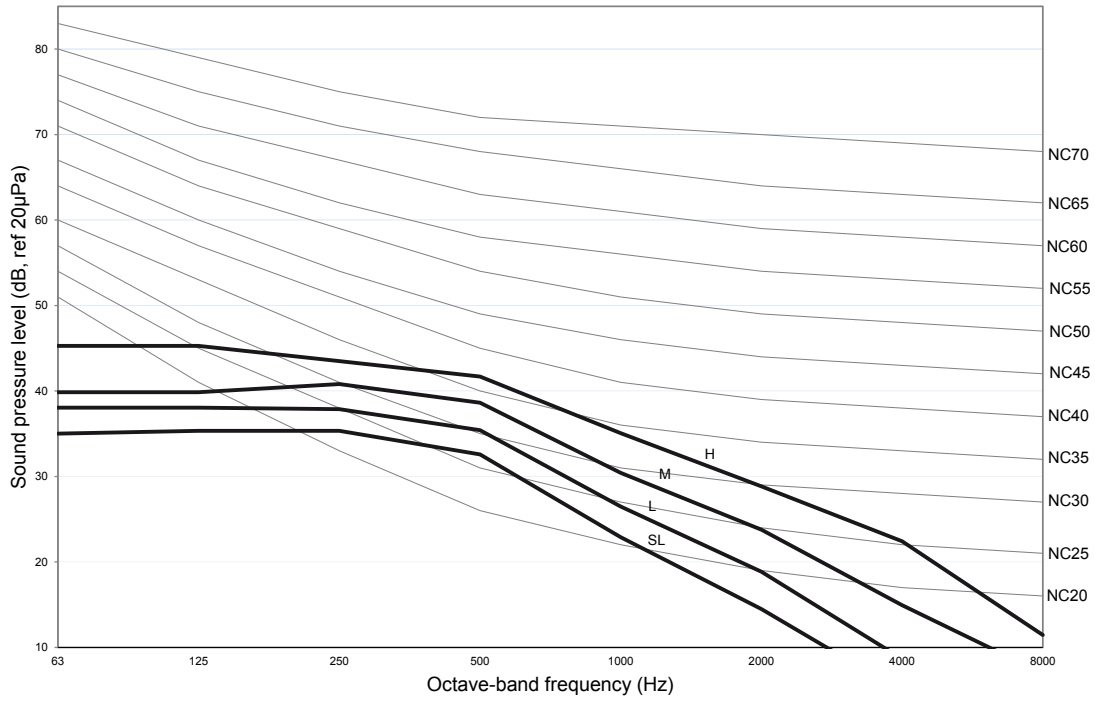
ACK/A5CK 20E/ER NC Curve



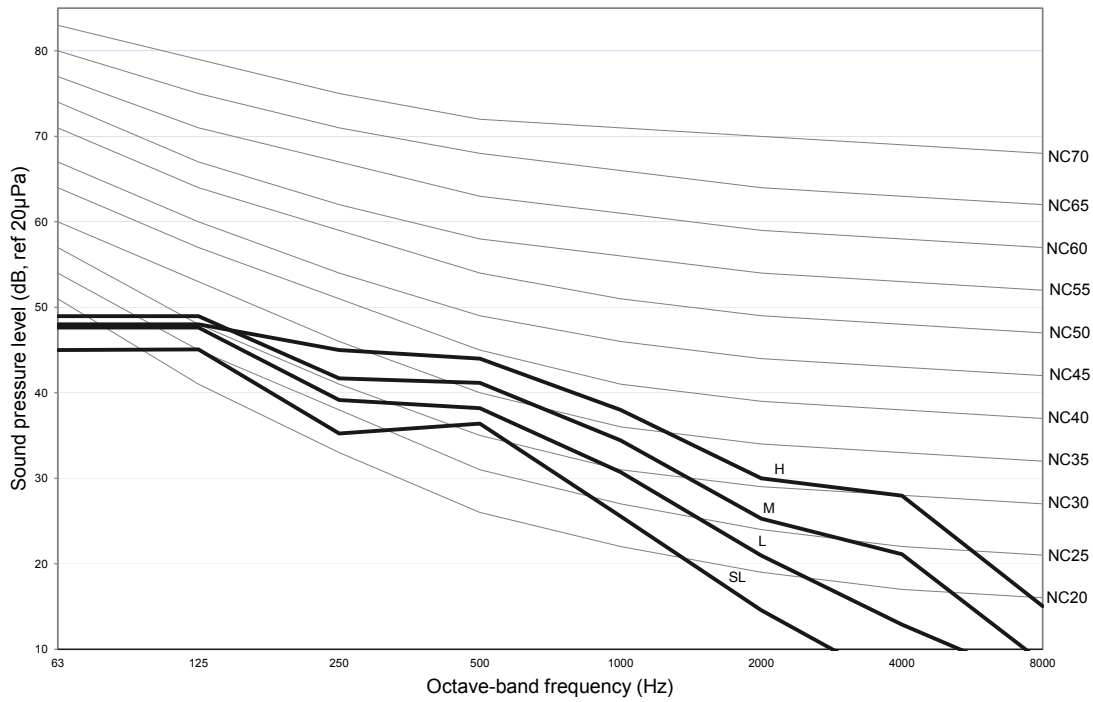
ACK/A5CK 25E/ER NC Curve



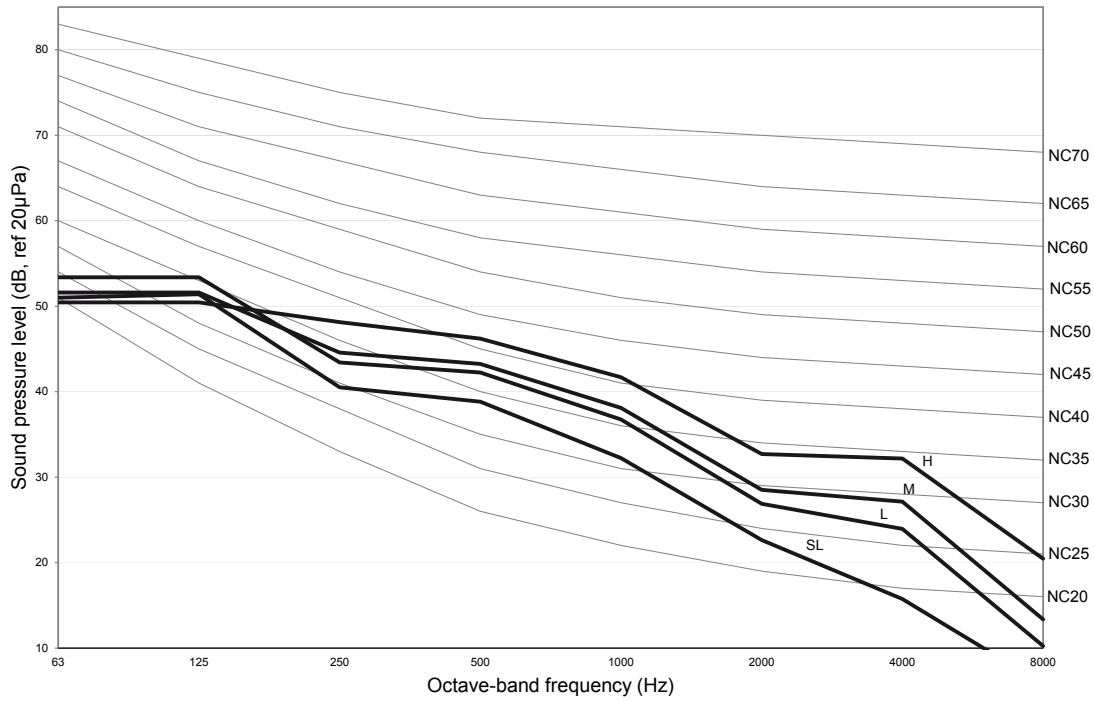
ACK/A5CK 28E/ER NC Curve



ACK/A5CK 40E/ER NC Curve



ACK/A5CK 50E/ER NC Curve



Engineering Data - R22 MODEL

MODEL	INDOOR UNIT		ACK20E	ACK25E	ACK28E	ACK40E	
	OUTDOOR UNIT		ALC20C	ALC25C	ALC28C	ALC35D	
NOMINAL COOLING CAPACITY	Btu/h		19500	25000	27000	35000	
	W		5715	7327	7913	10258	
NOMINAL TOTAL INPUT POWER (COOLING)	W		1960	2540	2720	3010	
NOMINAL RUNNING CURRENT (COOLING)	A		8.77	11.50	12.30	14.40	
EER	W/W		2.92	2.88	2.91	3.41	
REFRIGERANT CONTROL (EXPANSION DEVICE)			OUTDOOR CAP. TUBE		INDOOR CAP. TUBE		
REFRIGERANT CHARGE			kg	1.35	1.50	1.75	
MODEL		INDOOR UNIT	ACK20ER	ACK25ER	ACK28ER	ACK40ER	
		OUTDOOR UNIT	ALC20CR	ALC25CR	ALC28CR	ALC35DR	
NOMINAL COOLING CAPACITY	Btu/h		19500	25000	27000	35000	
	W		5715	7327	7913	10258	
NOMINAL HEATING CAPACITY	Btu/h		19500	25000	28000	35000	
	W		5715	7327	8206	10258	
NOMINAL TOTAL INPUT POWER (COOLING)	W		1960	2540	2720	3010	
NOMINAL TOTAL INPUT POWER (HEATING)	W		1690	2310	2350	2750	
NOMINAL RUNNING CURRENT (COOLING)	A		8.77	11.50	12.30	14.40	
NOMINAL RUNNING CURRENT (HEATING)	A		7.56	10.40	10.90	13.40	
EER	W/W		2.92	2.88	2.91	3.41	
COP	W/W		3.38	3.17	3.49	3.73	
REFRIGERANT CONTROL (EXPANSION DEVICE)			OUTDOOR CAP. TUBE			OUTDOOR CAP. TUBE + TXV	
REFRIGERANT CHARGE			kg	1.35	1.50	1.83	
POWER SOURCE			V/Ph/Hz	220 - 240 / 1/ 50			
REFRIGERANT TYPE			R22				
INDOOR UNIT	CONTROL		4 WAY AUTOMATIC LOUVER (UP & DOWN)				
	AIR DISCHARGE OPERATION		WIRELESS MICROCOMPUTER REMOTE CONTROL				
	AIR FLOW	HIGH	l/s / CFM	280 / 600	320 / 680	410 / 860	490 / 1030
		MEDIUM	l/s / CFM	250 / 530	280 / 600	340 / 725	410 / 860
		LOW	l/s / CFM	200 / 430	250 / 530	290 / 620	350 / 740
		SUPER LOW	l/s / CFM	190 / 400	200 / 430	250 / 530	295 / 620
	SOUND PRESSURE LEVEL (H/M/L/SL)		dBA	34 / 32 / 30 / 28	37 / 34 / 33 / 32	42 / 38 / 35 / 33	47 / 44 / 40 / 36
	UNIT DIMENSION	HEIGHT X WIDTH X DEPTH	mm	265 X 820 X 820		300 X 820 X 820	
	PACKING DIMENSION	HEIGHT X WIDTH X DEPTH	mm	300 X 916 X 916		335 X 916 X 916	
	UNIT WEIGHT (UNIT + PANEL)		kg	26 + 4	28 + 4	31 + 4	
	CONDENSATE DRAIN SIZE		mm	19.05			
	FAN	TYPE		TURBO			
		DRIVE		DIRECT			
	FAN MOTOR	TYPE		INDUCTION			
		INDEX OF PROTECTION (IP)		IP20			
INSULATION GRADE		CLASS B					
RATED INPUT POWER		W	88	101	144	176	
RATED RUNNING CURRENT		A	0.39	0.44	0.63	0.79	
MOTOR OUTPUT	W	20	30	50	60		
POLES			6				
COIL	TUBE	MATERIAL	COPPER				
		DIAMETER	mm	7			
	FIN	MATERIAL	ALUMINIUM				
		FACE AREA	m ²	0.386		0.372	0.461
ROW			2		3		
AIR QUALITY	FILTER	TYPE	WASHABLE SARANET FILTER				
QUANTITY		pc	1				
CASING		COLOUR	WITHOUT PAINT				
AIR FLOW		l/s / CFM	614 / 1300	755 / 1600	741 / 1570	1605 / 3400	
SOUND PRESSURE LEVEL		dBA	51	52	58	58	
UNIT DIMENSION	HEIGHT X WIDTH X DEPTH	mm	651 X 855 X 328	753 X 855 X 328		852 X 1030 X 400	
PACKING DIMENSION	HEIGHT X WIDTH X DEPTH	mm	710 X 990 X 415	810 X 990 X 415		1010 X 1180 X 514	
UNIT WEIGHT		kg	47	57	57	95	
PIPE CONNECTION	SIZE	TYPE	FLARE VALVE				
		LIQUID	mm	6.35	9.52		
		GAS	mm	15.88		19.05	
FAN	TYPE		PROPELLER				
	DRIVE		DIRECT				
FAN MOTOR	TYPE		INDUCTION				
	INDEX OF PROTECTION (IP)		IP23		IP54		
	INSULATION GRADE		CLASS F		CLASS B		
	RATED INPUT POWER (COOLING)	W	80	123	124	257	
	RATED INPUT POWER (HEATING)	W	80	123	124	257	
	RATED RUNNING CURRENT (COOLING)	A	0.36	0.53	0.54	1.10	
	RATED RUNNING CURRENT (HEATING)	A	0.36	0.53	0.54	1.10	
	MOTOR OUTPUT	W	32	60	66	145	
POLES			6		8		
COMPRESSOR	TYPE		ROTARY			SCROLL	
	OIL TYPE		ATMOS NM56M or SUNISO 4GDID				
	OIL AMOUNT		cm ³	670	700	1130	
	CO	RATED INPUT POWER	W	1792	2316	2452	
		RATED INPUT POWER (COOLING)	W	1792	2316	2452	
	HP	RATED INPUT POWER (HEATING)	W	1522	2086	2082	
		RATED INPUT CURRENT	A	8.02	10.53	11.13	
	HP	RATED INPUT CURRENT (COOLING)	A	8.02	10.53	11.13	
		RATED INPUT CURRENT (HEATING)	A	6.81	9.43	9.73	
	LOCKED ROTOR AMP.		A	34	56	62	
COIL	TUBE	MATERIAL	COPPER				
		DIAMETER (CO / HP)	mm	7		9.52	
	FIN	MATERIAL	ALUMINIUM				
		FACE AREA	m ²	0.52	0.62	0.62	0.87
ROW			2				
CASING		COLOUR	IVORY WHITE				

ALL UNITS ARE BEING TESTED AND COMPLY TO ISO 5151 (NON-DUCTED UNIT) OR ISO 13253 (DUCTED UNIT).

COOLING		HEATING	
INDOOR: 27°C DB/ 19°C WB		INDOOR: 20°C DB	
OUTDOOR: 35°C DB/ 24°C WB		OUTDOOR: 7°C DB/ 6°C WB	

Engineering Data - R22 MODEL

MODEL	INDOOR UNIT		ACK40E		ACK50E	
	OUTDOOR UNIT		ALC40D	ALC40D	ALC50D	
NOMINAL COOLING CAPACITY	Btu/h		39000	39500	49500	
	W		11430	11600	14500	
NOMINAL TOTAL INPUT POWER (COOLING)	W		3450	3650	4600	
NOMINAL RUNNING CURRENT (COOLING)	A		16.7	6.13	8.00	
EER	W/W		3.31	3.17	3.15	
REFRIGERANT CONTROL (EXPANSION DEVICE)			INDOOR CAP. TUBE			
REFRIGERANT CHARGE	kg		2.40	2.48	2.45	
MODEL	INDOOR UNIT		ACK40ER		ACK50ER	
	OUTDOOR UNIT		ALC40DR	ALC40DR	ALC50DR	
NOMINAL COOLING CAPACITY	Btu/h		39500		48000	
	W		11600		14100	
NOMINAL HEATING CAPACITY	Btu/h		42000		50000	
	W		12300		14700	
NOMINAL TOTAL INPUT POWER (COOLING)	W		3600	3500	4800	
NOMINAL TOTAL INPUT POWER (HEATING)	W		3250	3200	4200	
NOMINAL RUNNING CURRENT (COOLING)	A		17.40	6.09	8.20	
NOMINAL RUNNING CURRENT (HEATING)	A		15.90	6.08	7.48	
EER	W/W		3.22	3.31	2.93	
COP	W/W		3.79	3.85	3.49	
REFRIGERANT CONTROL (EXPANSION DEVICE)			OUTDOOR CAP. TUBE			
REFRIGERANT CHARGE	kg		2.60		2.50	
POWER SOURCE	V/Ph/Hz		220 - 240 / 1 / 50	380 - 415 / 3 / 50		
REFRIGERANT TYPE			R22			
INDOOR UNIT	CONTROL	AIR DISCHARGE OPERATION		4 WAY AUTO LOUVER (UP & DOWN)		
	AIR FLOW	HIGH		l/s / CFM	490 / 1030	
		MEDIUM		l/s / CFM	410 / 860	
		LOW		l/s / CFM	350 / 740	
		SUPER LOW		l/s / CFM	295 / 620	
	SOUND PRESSURE LEVEL (H/M/L/SL)		dBA	47 / 44 / 40 / 36		49 / 45 / 43 / 39
	UNIT DIMENSION	HEIGHT X WIDTH X DEPTH		mm		300 X 820 X 820
	PACKING DIMENSION	HEIGHT X WIDTH X DEPTH		mm		335 X 916 X 916
	UNIT WEIGHT (UNIT + PANEL)	kg		39 + 4		41 + 4
	CONDENSATE DRAIN SIZE	mm		19.05		
	FAN	TYPE		TURBO		
		DRIVE		DIRECT		
	FAN MOTOR	TYPE		INDUCTION		
		INDEX OF PROTECTION (IP)		IP20		
		INSULATION GRADE		CLASS B		
		RATED INPUT POWER	W	176		221
		RATED RUNNING CURRENT	A	0.79		0.97
		MOTOR OUTPUT	W	60		100
	COIL	TUBE	MATERIAL		COPPER	
			DIAMETER		mm	
FIN		MATERIAL		ALUMINIUM		
		FACE AREA	m ²	0.461		0.464
AIR QUALITY	FILTER	TYPE		WASHABLE SARANET FILTER		
		QUANTITY	pc	1		
CASING	COLOUR		WITHOUT PAINT			
AIR FLOW	l/s / CFM		1605 / 3400			
SOUND PRESSURE LEVEL	dBA		58			
UNIT DIMENSION	HEIGHT X WIDTH X DEPTH		mm		852 X 1030 X 400	
PACKING DIMENSION	HEIGHT X WIDTH X DEPTH		mm		1010 X 1180 X 514	
UNIT WEIGHT	kg		100	100	105	
PIPE CONNECTION	SIZE	TYPE		FLARE VALVE		
		LIQUID		mm		9.52
		GAS		mm		19.05
FAN	TYPE		PROPELLER			
	DRIVE		DIRECT			
FAN MOTOR	TYPE		INDUCTION			
	INDEX OF PROTECTION (IP)		IP54			
	INSULATION GRADE		CLASS B			
	RATED INPUT POWER (COOLING)	W	257			
	RATED INPUT POWER (HEATING)	W	276			
	RATED RUNNING CURRENT (COOLING)	A	1.10			
	RATED RUNNING CURRENT (HEATING)	A	1.34			
	MOTOR OUTPUT	W	145			
POLES			8			
COMPRESSOR	TYPE		SCROLL			
	OIL TYPE		MOBIL EAL		MINERAL OIL	
	OIL AMOUNT	cm ³	1951	1951	1950	
	CO	RATED INPUT POWER	W	3017	3217	4122
	HP	RATED INPUT POWER (COOLING)	W	3148	3048	4303
		RATED INPUT POWER (HEATING)	W	2798	2748	3703
	CO	RATED INPUT CURRENT	A	14.81	5.50	7.31
	HP	RATED INPUT CURRENT (COOLING)	A	15.27	5.38	7.43
		RATED INPUT CURRENT (HEATING)	A	13.77	5.37	6.71
	LOCKED ROTOR AMP.	A	114	48	58	
COIL	TUBE	MATERIAL		COPPER		
		DIAMETER (CO / HP)		mm		9.52 / 7
	FIN	MATERIAL		ALUMINIUM		
		FACE AREA	m ²	0.87		
CASING	ROW		2			
	COLOUR		IVORY WHITE			

ALL UNITS ARE BEING TESTED AND COMPLY TO ISO 5151 (NON-DUCTED UNIT) OR ISO 13253 (DUCTED UNIT).

COOLING		HEATING	
INDOOR: 27°C DB/ 19°C WB		INDOOR: 20°C DB	
OUTDOOR: 35°C DB/ 24°C WB		OUTDOOR: 7°C DB/ 6°C WB	

Engineering Data - R410A MODEL

MODEL		INDOOR UNIT	A5CK20E	A5CK25E	A5CK28E	A5CK40E	
		OUTDOOR UNIT	A5LC20C	A5CK25C	A5LC28C	A5LC35D	
NOMINAL COOLING CAPACITY		Btu/h	18300	22200	27000	29200	
		W	5363	6506	7913	8558	
NOMINAL TOTAL INPUT POWER (COOLING)		W	1740	1940	2790	2820	
NOMINAL RUNNING CURRENT (COOLING)		A	7.72	8.67	13.10	13.70	
EER		W/W	3.08	3.36	2.84	3.03	
REFRIGERANT CONTROL (EXPANSION DEVICE)			OUTDOOR CAPILLARY TUBE				
REFRIGERANT CHARGE		kg	1.38	1.54	2.03	2.60	
MODEL		INDOOR UNIT	A5CK20ER	A5CK25ER	A5CK28ER	A5CK40ER	
		OUTDOOR UNIT	A5LC20CR	A5CK25CR	A5LC28CR	A5LC35DR	
NOMINAL COOLING CAPACITY		Btu/h	18300	22200	27000	29200	
		W	5363	6506	7913	8558	
NOMINAL HEATING CAPACITY		Btu/h	17700	20500	28000	31800	
		W	5188	6008	8206	9320	
NOMINAL TOTAL INPUT POWER (COOLING)		W	1740	1940	2790	2820	
NOMINAL TOTAL INPUT POWER (HEATING)		W	1490	1760	2325	2545	
NOMINAL RUNNING CURRENT (COOLING)		A	7.72	8.67	13.08	13.7	
NOMINAL RUNNING CURRENT (HEATING)		A	6.61	7.86	11.20	12.80	
EER		W/W	3.08	3.36	2.84	3.03	
COP		W/W	3.48	3.41	3.53	3.66	
REFRIGERANT CONTROL (EXPANSION DEVICE)			OUTDOOR CAPILLARY TUBE				
REFRIGERANT CHARGE		kg	1.38	1.54	2.03	2.60	
POWER SOURCE		V/Ph/Hz	220 - 240 /1/50				
REFRIGERANT TYPE			R410A				
INDOOR UNIT	CONTROL	AIR DISCHARGE OPERATION		4 WAY AUTOMATIC LOUVER (UP & DOWN)			
				WIRELESS MICROCOMPUTER REMOTE CONTROL			
	AIR FLOW	HIGH	l/s / CFM	280 / 600	320 / 680	410 / 860	490 / 1030
		MEDIUM	l/s / CFM	250 / 530	280 / 600	340 / 725	410 / 860
		LOW	l/s / CFM	200 / 430	250 / 530	290 / 620	350 / 740
		SUPER LOW	l/s / CFM	190 / 400	200 / 430	250 / 530	295 / 620
	SOUND PRESSURE LEVEL (H/ML/SL)		dBA	34 / 32 / 30 / 28	37 / 34 / 33 / 32	42 / 38 / 35 / 33	47 / 44 / 40 / 36
	UNIT DIMENSION [Panel]	HEIGHT X WIDTH X DEPTH	mm	265 X 820 X 820 [340 X 990 X 990]			300 X 820 X 820 [375 X 990 X 990]
	PACKING DIMENSION	HEIGHT X WIDTH X DEPTH	mm	300 X 916 X 916			335 X 916 X 916
	UNIT WEIGHT (UNIT + PANEL)		kg	29 + 6			42 + 6
	CONDENSATE DRAIN SIZE		mm	19.05			
	FAN	TYPE		BLOWER WHEEL			
		DRIVE		DIRECT			
	FAN MOTOR	TYPE		INDUCTION			
		INDEX OF PROTECTION (IP)		IP20			
INSULATION GRADE			CLASS B				
RATED INPUT POWER		W	88	101	145	176	
RATED RUNNING CURRENT		A	0.39	0.44	0.64	0.79	
MOTOR MAX OUTPUT	W	20	30	50	60		
POLES			6				
COIL	TUBE	MATERIAL	SEAMLESS INNER GROOVE COPPER				
		DIAMETER	7				
	FIN	MATERIAL	ALUMINIUM (SLIT FIN)				
	FACE AREA	m ²	0.386		0.372	0.461	
	ROW		2		3		
AIR QUALITY	FILTER	TYPE	WASHABLE SARANET FILTER				
		QUANTITY	1				
CASING		COLOUR	WITHOUT PAINT				
AIR FLOW		l/s / CFM	614 / 1300	689 / 1460	684 / 1450	1605 / 3400	
SOUND PRESSURE LEVEL		dBA	52	52	58	58	
UNIT DIMENSION	HEIGHT X WIDTH X DEPTH	mm	651 X 855 X 328	753 X 855 X 328	852 X 1030 X 400	852 X 1030 X 400	
PACKING DIMENSION	HEIGHT X WIDTH X DEPTH	mm	710 X 990 X 415	810 X 990 X 415	1010 X 1180 X 514	1010 X 1180 X 514	
UNIT WEIGHT (RN / RYN)		kg	47	50	57	86	
PIPE CONNECTION	TYPE		FLARE VALVE				
	SIZE	LIQUID	mm	6.35		9.52	
		GAS	mm	12.70	15.88	15.88	15.88
FAN	TYPE		PROPELLER				
	DRIVE		DIRECT				
FAN MOTOR	TYPE		INDUCTION				
	INDEX OF PROTECTION (IP)		IP23		IP23	N / A	
	INSULATION GRADE		CLASS F	CLASS F	CLASS F	CLASS B	
	RATED INPUT POWER	W	80	97	124	257	
	RATED RUNNING CURRENT	A	0.36	0.43	0.54	1.10	
	MOTOR OUTPUT	W	42	64	75	145	
	POLES			6			
COMPRESSOR	TYPE		ROTARY		ROTARY	SCROLL	
	OIL TYPE		RB68A or Freol Alpha68M		RB68A or Freol Alpha68M	MOBIL EAL ARCTIC 22C	
	OIL AMOUNT		cm ³	670	1130	1242	
	CO	RATED INPUT POWER	W	1572	1742	2521	2387
		RATED INPUT POWER (COOLING)	W	1572	1742	2521	2387
	HP	RATED INPUT POWER (HEATING)	W	1322	1562	2056	2112
		RATED RUNNING CURRENT	A	6.97	7.8	11.9	11.8
	HP	RATED RUNNING CURRENT (COOLING)	A	6.97	7.8	11.9	11.8
		RATED RUNNING CURRENT (HEATING)	A	5.86	6.99	10.00	10.90
	LOCKED ROTOR AMP.	A	26	63	65	97	
COIL	TUBE	MATERIAL	SEAMLESS INNER GROOVE COPPER				
		DIAMETER (CO / HP)	7				
	FIN	MATERIAL	ALUMINIUM (RAISE LANCE)		ALUMINIUM (CORR. FIN)		
	FACE AREA	m ²	0.51	0.62	0.62	0.87	
	ROW		2				
CASING		COLOUR	IVORY WHITE				

ALL UNITS ARE BEING TESTED AND COMPLY TO ISO 5151 (NON-DUCTED UNIT) OR ISO 13253 (DUCTED UNIT).

COOLING		HEATING	
INDOOR: 27°C DB/ 19°C WB		INDOOR: 20°C DB	
OUTDOOR: 35°C DB/ 24°C WB		OUTDOOR: 7°C DB/ 6°C WB	

Engineering Data - R410A MODEL

MODEL		INDOOR UNIT		A5LC35D		A5LC40D		A5LC50D		
MODEL		INDOOR UNIT		A5LC35DR		A5LC40DR		A5LC50DR		
NOMINAL COOLING CAPACITY		Btu/h	31000	39000	39000	45000				
		W	9086	11430	11430	13190				
NOMINAL TOTAL INPUT POWER (COOLING)		W	2770	3920	3920	4390				
NOMINAL RUNNING CURRENT (COOLING)		A	5.20	17.90	17.90	7.80				
EER		W/W	3.28	2.92	2.92	2.87				
REFRIGERANT CONTROL (EXPANSION DEVICE)		OUTDOOR CAPILLARY TUBE								
REFRIGERANT CHARGE		kg	2.60	2.10	2.10	2.25				
MODEL		INDOOR UNIT		A5LC35DR		A5LC40DR		A5LC50DR		
NOMINAL COOLING CAPACITY		Btu/h	31000	39000	39000	45000				
		W	9086	11430	11430	13190				
NOMINAL HEATING CAPACITY		Btu/h	33400	39000	39500	48000				
		W	9789	11430	11580	14070				
NOMINAL TOTAL INPUT POWER (COOLING)		W	2770	3920	3840	4390				
NOMINAL TOTAL INPUT POWER (HEATING)		W	2550	3740	3610	4010				
NOMINAL RUNNING CURRENT (COOLING)		A	5.2	17.90	6.6	7.8				
NOMINAL RUNNING CURRENT (HEATING)		A	5.00	17.30	2.98	7.30				
EER		W/W	3.28	2.92	2.92	2.87				
COP		W/W	3.84	3.06	3.21	3.46				
REFRIGERANT CONTROL (EXPANSION DEVICE)		OUTDOOR CAPILLARY TUBE								
REFRIGERANT CHARGE		kg	2.60	2.10	2.10	2.25				
POWER SOURCE		V/Ph/Hz	380 - 415 / 3 / 50	220 - 240 / 1/50	380 - 415 / 3 / 50	380 - 415 / 3 / 50				
REFRIGERANT TYPE		R410A								
INDOOR UNIT	CONTROL		AIR DISCHARGE OPERATION		4 WAY AUTOMATIC LOUVER (UP & DOWN)					
					WIRELESS MICROCOMPUTER REMOTE CONTROL					
	AIR FLOW	HIGH		l/s / CFM		490 / 1030		570 / 1200		
		MEDIUM		l/s / CFM		410 / 860		490 / 1030		
		LOW		l/s / CFM		350 / 740		440 / 930		
		SUPER LOW		l/s / CFM		295 / 620		370 / 780		
	SOUND PRESSURE LEVEL (H/M/L/SL)		dBA		47 / 44 / 40 / 36		49 / 45 / 43 / 39			
	UNIT DIMENSION [Panel]		HEIGHT X WIDTH X DEPTH		mm 300 X 820 X 820 [375 X 990 X 990]					
	PACKING DIMENSION		HEIGHT X WIDTH X DEPTH		mm 335 X 916 X 916					
	UNIT WEIGHT (UNIT + PANEL)		kg		42 + 6					
	CONDENSATE DRAIN SIZE		mm		19.05					
	FAN		TYPE		BLOWER WHEEL					
			DRIVE		DIRECT					
			INDEX OF PROTECTION (IP)		INDUCTION					
			INSULATION GRADE		IP20					
		RATED INPUT POWER		W	176	176	176	221		
		RATED RUNNING CURRENT		A	0.79	0.79	0.79	0.97		
		MOTOR MAX OUTPUT		W	60			100		
		POLES		6						
COIL	TUBE		MATERIAL		SEAMLESS INNER GROOVE COPPER					
			DIAMETER		mm 7					
	FIN		MATERIAL		ALUMINIUM (SLIT FIN)					
			FACE AREA		m ² 0.461		0.464			
		ROW		3						
AIR QUALITY		FILTER		WASHABLE SARANET FILTER						
		QUANTITY		pc 1						
CASING		COLOUR		WITHOUT PAINT						
AIR FLOW		l/s / CFM		1605 / 3400		2171 / 4600				
SOUND PRESSURE LEVEL		dBA		58		60				
UNIT DIMENSION		HEIGHT X WIDTH X DEPTH		mm 852 X 1030 X 400						
PACKING DIMENSION		HEIGHT X WIDTH X DEPTH		mm 1010 x 1180 x 514						
UNIT WEIGHT (RN / RYN)		kg		86	95	98				
PIPE CONNECTION	TYPE		FLARE VALVE							
	SIZE	LIQUID		mm 9.52						
		GAS		mm 15.88						
FAN		TYPE		PROPELLER						
		DRIVE		DIRECT						
		INDEX OF PROTECTION (IP)		N / A	N / A	N / A	IP20			
		INSULATION GRADE		CLASS B	CLASS B	CLASS B	CLASS F			
		RATED INPUT POWER		W	257	257	276			
		RATED RUNNING CURRENT		A	1.1	1.1	1.34			
		MOTOR OUTPUT		W	145					
		POLES		8						
COMPRESSOR	OIL TYPE		SCROLL							
			MOBIL EAL ARCTIC 22C							
	OIL AMOUNT		cm ³		1242	1951	1951	1656		
	CO	RATED INPUT POWER		W	2337	3487	3407	3893		
		RATED INPUT POWER (COOLING)		W	2337	3487	3407	3893		
	HP	RATED INPUT POWER (HEATING)		W	2117	3307	3177	3513		
		RATED RUNNING CURRENT		A	4.57	16	6.37	7.03		
	HP	RATED RUNNING CURRENT (COOLING)		A	4.57	16	6.37	7.03		
		RATED RUNNING CURRENT (HEATING)		A	4.37	15.40	5.97	6.53		
	LOCKED ROTOR AMP.		A		48	136	68	74		
COIL	TUBE		MATERIAL		SEAMLESS INNER GROOVE COPPER					
			DIAMETER (CO / HP)		mm 7					
	FIN		MATERIAL		ALUMINIUM (CORR.FIN)					
			FACE AREA		m ² 0.87					
		ROW		2						
CASING		COLOUR		IVORY WHITE						

ALL UNITS ARE BEING TESTED AND COMPLY TO ISO 5151 (NON-DUCTED UNIT) OR ISO 13253 (DUCTED UNIT).

COOLING		HEATING	
INDOOR: 27°C DB/ 19°C WB		INDOOR: 20°C DB	
OUTDOOR: 35°C DB/ 24°C WB		OUTDOOR: 7°C DB/ 6°C WB	

R22 Model

MODEL	INDOOR UNIT		ACK20E(R)	ACK25E(R)	ACK28E(R)
	OUTDOOR UNIT		ALC20C(R)	ALC25C(R)	ALC28C(R)
SAFETY DEVICE	HIGH PRESSURE SWITCH	TYPE	N/A		
		OPEN	kPa / psi	N/A	
		CLOSE	kPa / psi	N/A	
	LOW PRESSURE SWITCH	TYPE	N/A		
		OPEN	kPa / psi	N/A	
		CLOSE	kPa / psi	N/A	
	PHASE SEQUENCER		N/A		
DISCHARGE THERMOSTAT SETTING		°C / °F	N/A		

MODEL	INDOOR UNIT		ACK40E(R)	ACK40E(R)	ACK50E(R)
	OUTDOOR UNIT		ALC35D(R)	ALC40D(R)	ALC50D(R)
SAFETY DEVICE	HIGH PRESSURE SWITCH	TYPE	NC		
		OPEN	kPa / psi	2937 / 426	
		CLOSE	kPa / psi	2413 / 350	
	LOW PRESSURE SWITCH	TYPE	NC		
		OPEN	kPa / psi	124 / 18	
		CLOSE	kPa / psi	193 / 28	
	PHASE SEQUENCER		N/A	N/A / <YES>	YES
DISCHARGE THERMOSTAT SETTING		°C / °F	N/A	N/A / <130 / 266>	130 / 266

R410A Model

MODEL	INDOOR UNIT		A5CK20E(R)	A5CK25E(R)	A5CK28E(R)
	OUTDOOR UNIT		A5LC20C(R)	A5LC25C(R)	A5LC28C(R)
SAFETY DEVICE	HIGH PRESSURE SWITCH	TYPE	N/A		
		OPEN	kPa / psi	N/A	
		CLOSE	kPa / psi	N/A	
	LOW PRESSURE SWITCH	TYPE	N/A		
		OPEN	kPa / psi	N/A	
		CLOSE	kPa / psi	N/A	
	PHASE SEQUENCER - 1Ø / <3Ø>		N/A / <YES>		
DISCHARGE THERMOSTAT SETTING - 1Ø / <3Ø>		°C / °F	N/A / <130 / 266>		

MODEL	INDOOR UNIT		A5CK40E(R)	A5CK40E(R)	A5CK50E(R)
	OUTDOOR UNIT		A5LC35D(R)	A5LC40D(R)	A5LC50D(R)
SAFETY DEVICE	HIGH PRESSURE SWITCH	TYPE	NC		
		OPEN	kPa / psi	4137 / 600	
		CLOSE	kPa / psi	3310 / 480	
	LOW PRESSURE SWITCH	TYPE	NC		
		OPEN	kPa / psi	48 / 7	
		CLOSE	kPa / psi	152 / 22	
	PHASE SEQUENCER - 1Ø / <3Ø>		N/A / <YES>		YES
DISCHARGE THERMOSTAT SETTING - 1Ø / <3Ø>		°C / °F	N/A / <130 / 266>		130 / 266

1) ALL SPECIFICATIONS ARE SUBJECTED TO CHANGE BY THE MANUFACTURER WITHOUT PRIOR NOTICE.

Performance Data

Calculation Steps

Interpolation and Extrapolation method can be used to get the total capacity, TC and sensible capacity, SC at those temperatures which are not stated out in the table.

Example:

Model: ACK 20E – ALC 20C
Indoor Condition: 23°C DB, 15°C WB
Outdoor Condition: 37°C DB

Solution:

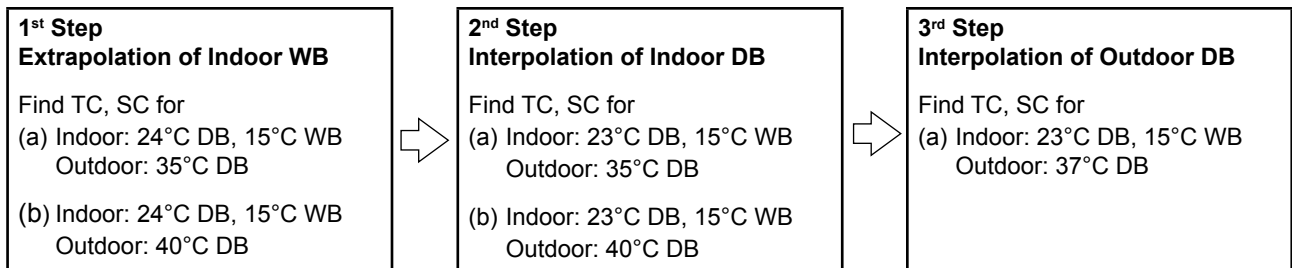
Overall

Based on the Performance table on Pg28,

1. Refer to the Indoor DB column,
 - 23°C is located between 20°C and 24°C.
 - Thus, Interpolation need to be applied.

2. Refer to the Indoor WB column,
 - 15°C only available in the case of Indoor DB = 20°C.
 - Thus, Extrapolation between 16°C WB and 17°C WB during 24°C indoor DB is required.
3. Refer to the Outdoor DB column,
 - 37°C is located between 35°C and 40°C.
 - Thus, Interpolation need to be applied.

Please follow the steps below in order to get the required capacity.



Details of Calculation:

1st Step:

To obtain the Total capacity and Sensible capacity for

(a) Indoor Condition: 24°C DB, 15°C WB
Outdoor Condition: 35°C DB

Indoor DB°C	Indoor WB°C	Outdoor DB, °C	
		35	40
		TC (kW)	SC (kW)
24	15	-----x ₁ -----	y ₁
	16	5.419	3.94
	17	5.495	3.71

Total capacity, TC

$$\Rightarrow x_1 = 5.343\text{kW (Same as Total capacity at 20°C Indoor DB / 15°C Indoor WB \& 35°C Outdoor WB)*}$$

Sensible capacity, SC

Extrapolation Method:

$$\Rightarrow \frac{17^\circ\text{C} - 15^\circ\text{C}}{17^\circ\text{C} - 16^\circ\text{C}} = \frac{3.71\text{kW} - y_1}{3.71\text{kW} - 3.94\text{kW}}$$

$$\Rightarrow y_1 = 4.17\text{kW}$$

(b) Indoor Condition: 24°C DB, 15°C WB
Outdoor Condition: 40°C DB

Indoor DB°C	Indoor WB°C	Outdoor DB, °C	
		40	37
		TC (kW)	SC (kW)
24	15	-----x ₂ -----	y ₂
	16	4.944	3.592
	17	5.06	3.463

Total capacity, TC

$$\Rightarrow x_2 = 4.828\text{kW (Same as Total capacity at 20°C Indoor DB / 15°C Indoor WB \& 40°C Outdoor WB)*}$$

Sensible capacity, SC

Extrapolation Method:

$$\Rightarrow \frac{17^\circ\text{C} - 15^\circ\text{C}}{17^\circ\text{C} - 16^\circ\text{C}} = \frac{3.463\text{kW} - y_2}{3.463\text{kW} - 3.592\text{kW}}$$

$$\Rightarrow y_2 = 3.721\text{kW}$$

2nd Step:

To obtain the Total capacity and Sensible capacity for

(a) Indoor Condition: 23°C DB, 15°C WB
Outdoor Condition: 35°C DB

Indoor DB°C	Indoor WB°C	Outdoor DB, °C	
		35	
		TC (kW)	SC (kW)
		∴	∴
20	15	5.343	2.925
23	15	-----x ₃ -----	-----y ₃ -----
24	15	5.343	4.17

Total capacity, TC

⇒ x₃ = 3.295kW (Same as Total capacity at 20°C Indoor DB / 15°C Indoor WB & 35°C Outdoor WB)*

Sensible capacity, SC

Interpolation Method:

$$\Rightarrow \frac{24^\circ\text{C} - 20^\circ\text{C}}{24^\circ\text{C} - 23^\circ\text{C}} = \frac{4.17\text{kW} - 2.925\text{kW}}{4.17\text{kW} - y_3}$$

$$\Rightarrow y_3 = 3.859\text{kW}$$

(b) Indoor Condition: 23°C DB, 15°C WB
Outdoor Condition: 40°C DB

Indoor DB°C	Indoor WB°C	Outdoor DB, °C	
		40	
		TC (kW)	SC (kW)
		∴	∴
20	15	4.828	2.477
23	15	-----x ₄ -----	-----y ₄ -----
24	15	4.828	3.721

Total capacity, TC

⇒ x₄ = 4.828kW (Same as Total capacity at 20°C Indoor DB / 15°C Indoor WB & 40°C Outdoor WB)*

Sensible capacity, SC

Interpolation Method:

$$\Rightarrow \frac{24^\circ\text{C} - 20^\circ\text{C}}{24^\circ\text{C} - 23^\circ\text{C}} = \frac{3.721\text{kW} - 2.477\text{kW}}{3.721\text{kW} - y_4}$$

$$\Rightarrow y_4 = 3.41\text{kW}$$

3rd Step:

To obtain the Total capacity and Sensible capacity for

(a) Indoor Condition: 23°C DB, 15°C WB
Outdoor Condition: 37°C DB

Indoor DB°C	Indoor WB°C	Outdoor DB, °C					
		35		37		40	
		TC (kW)	SC (kW)	TC (kW)	SC (kW)	TC (kW)	SC (kW)
		∴	∴	∴	∴	∴	∴
23	15	3.295	3.859	x	y	4.828	3.41

Total capacity, TC

Interpolation Method:

$$\Rightarrow \frac{40^\circ\text{C} - 35^\circ\text{C}}{40^\circ\text{C} - 37^\circ\text{C}} = \frac{4.828\text{kW} - 3.295\text{kW}}{4.828\text{kW} - x}$$

$$\Rightarrow x = 3.908\text{kW}$$

Sensible capacity, SC

Interpolation Method:

$$\Rightarrow \frac{40^\circ\text{C} - 35^\circ\text{C}}{40^\circ\text{C} - 37^\circ\text{C}} = \frac{3.41\text{kW} - 3.859\text{kW}}{3.41\text{kW} - y}$$

$$\Rightarrow y = 3.679\text{kW}$$

(* This is due to 2 different conditions with same WB temperature will have the same level of enthalpy. For more details, please refer to psychometrics chart)

Performance Table

PERFORMANCE TABLE

R22 Models - Cooling Only
ACK20E / ALC20C

AFR (CFM)	EWB	EDB	Outdoor temperature																				
			19°C			25°C			30°C			35°C			40°C			46°C					
			TC	SHC	PI	TC	SHC	PI	TC	SHC	PI	TC	SHC	PI	TC	SHC	PI	TC	SHC	PI			
400	16°C	21°C	5.39	4.02	1.49	5.20	3.91	1.61	5.00	3.81	1.74	4.80	3.70	1.89	4.41	3.44	2.05	4.07	3.24	2.26			
		24°C	5.40	4.81	1.49	5.20	4.70	1.61	5.01	4.59	1.74	4.81	4.48	1.89	4.42	4.18	2.05	4.09	3.94	2.26			
		27°C	5.44	5.44	1.49	5.26	5.26	1.61	5.07	5.07	1.75	4.88	4.88	1.90	4.50	4.50	2.06	4.19	4.19	2.27			
		30°C	5.61	5.61	1.50	5.44	5.44	1.62	5.28	5.28	1.76	5.11	5.11	1.91	4.74	4.74	2.08	4.43	4.43	2.29			
		24°C	5.94	3.75	1.51	5.74	3.65	1.64	5.52	3.56	1.77	5.31	3.46	1.92	4.88	3.22	2.09	4.51	3.03	2.30			
		27°C	5.95	4.29	1.51	5.74	4.19	1.64	5.53	4.10	1.77	5.31	4.00	1.92	4.88	3.74	2.09	4.51	3.54	2.30			
	19°C	30°C	5.96	5.29	1.51	5.75	5.18	1.64	5.55	5.07	1.78	5.34	4.94	1.93	4.91	4.62	2.09	4.56	4.38	2.31			
		33°C	6.03	6.03	1.52	5.83	5.83	1.64	5.64	5.64	1.78	5.45	5.45	1.93	5.04	5.04	2.10	4.71	4.71	2.32			
		27°C	6.54	3.67	1.54	6.31	3.58	1.67	6.08	3.49	1.81	5.84	3.40	1.96	5.37	3.16	2.13	4.98	2.98	2.34			
		30°C	6.54	4.47	1.54	6.32	4.38	1.67	6.08	4.28	1.81	5.85	4.18	1.96	5.38	3.91	2.13	4.98	3.71	2.35			
		33°C	6.54	5.22	1.54	6.32	5.12	1.67	6.09	5.02	1.81	5.85	4.92	1.96	5.38	4.62	2.13	4.99	4.39	2.35			
		36°C	6.57	5.92	1.54	6.35	5.80	1.67	6.13	5.68	1.81	5.91	5.56	1.97	5.45	5.21	2.13	5.06	4.94	2.35			
430	16°C	21°C	5.61	4.19	1.50	5.40	4.08	1.62	5.20	3.97	1.76	4.99	3.86	1.91	4.58	3.59	2.07	4.22	3.38	2.28			
		24°C	5.62	5.08	1.50	5.42	4.96	1.63	5.22	4.85	1.76	5.01	4.72	1.91	4.60	4.41	2.07	4.25	4.16	2.28			
		27°C	5.69	5.69	1.51	5.50	5.50	1.63	5.31	5.31	1.77	5.12	5.12	1.92	4.73	4.73	2.08	4.40	4.40	2.30			
		30°C	5.93	5.93	1.52	5.76	5.76	1.64	5.58	5.58	1.78	5.40	5.40	1.94	5.00	5.00	2.10	4.68	4.68	2.32			
		24°C	6.18	3.96	1.53	5.96	3.86	1.65	5.73	3.76	1.79	5.50	3.66	1.94	5.05	3.41	2.11	4.67	3.21	2.32			
		27°C	6.19	4.56	1.53	5.97	4.46	1.65	5.74	4.36	1.79	5.51	4.26	1.94	5.06	3.98	2.11	4.68	3.77	2.32			
	19°C	30°C	6.22	5.63	1.53	6.00	5.51	1.66	5.79	5.38	1.79	5.56	5.25	1.95	5.12	4.91	2.11	4.75	4.64	2.33			
		33°C	6.32	6.32	1.53	6.13	6.13	1.66	5.93	5.93	1.80	5.74	5.74	1.96	5.31	5.31	2.13	4.97	4.97	2.35			
		27°C	6.79	3.88	1.56	6.55	3.79	1.68	6.30	3.69	1.83	6.05	3.59	1.98	5.56	3.35	2.15	5.14	3.16	2.37			
		30°C	6.79	4.76	1.56	6.55	4.66	1.69	6.31	4.56	1.83	6.06	4.45	1.98	5.57	4.17	2.15	5.15	3.96	2.37			
		33°C	6.81	5.58	1.56	6.57	5.47	1.69	6.33	5.36	1.83	6.08	5.24	1.98	5.59	4.92	2.15	5.18	4.67	2.37			
		36°C	6.85	6.30	1.56	6.63	6.19	1.69	6.40	6.06	1.83	6.16	5.92	1.99	5.69	5.54	2.16	5.30	5.22	2.38			
530	16°C	21°C	5.81	4.37	1.51	5.60	4.26	1.64	5.39	4.15	1.77	5.16	4.03	1.92	4.74	3.75	2.09	4.36	3.53	2.30			
		24°C	5.84	5.31	1.52	5.63	5.18	1.64	5.42	5.06	1.78	5.20	4.92	1.93	4.78	4.60	2.09	4.41	4.33	2.30			
		27°C	5.94	5.94	1.52	5.74	5.74	1.65	5.55	5.55	1.78	5.35	5.35	1.94	4.95	4.95	2.10	4.61	4.61	2.32			
		30°C	6.24	6.24	1.53	6.05	6.05	1.66	5.87	5.87	1.80	5.67	5.67	1.96	5.25	5.25	2.13	4.91	4.91	2.35			
		24°C	6.40	4.19	1.54	6.17	4.09	1.67	5.93	3.98	1.81	5.69	3.88	1.96	5.22	3.61	2.12	4.82	3.41	2.34			
		27°C	6.42	4.85	1.54	6.19	4.74	1.67	5.96	4.63	1.81	5.72	4.51	1.96	5.25	4.22	2.13	4.85	3.99	2.34			
	19°C	30°C	6.47	5.97	1.54	6.24	5.84	1.67	6.02	5.70	1.81	5.79	5.56	1.96	5.33	5.19	2.13	4.95	4.90	2.35			
		33°C	6.61	6.61	1.55	6.42	6.42	1.68	6.22	6.22	1.82	6.02	6.02	1.98	5.57	5.57	2.15	5.21	5.21	2.38			
		27°C	7.02	4.10	1.57	6.77	4.01	1.70	6.52	3.91	1.84	6.26	3.81	2.00	5.75	3.55	2.17	5.31	3.35	2.38			
		30°C	7.04	5.06	1.57	6.79	4.96	1.70	6.53	4.85	1.84	6.27	4.74	2.00	5.76	4.44	2.17	5.33	4.21	2.39			
		33°C	7.06	5.92	1.57	6.82	5.82	1.70	6.57	5.70	1.85	6.31	5.57	2.00	5.80	5.22	2.17	5.38	4.96	2.39			
		36°C	7.12	6.69	1.57	6.90	6.57	1.71	6.66	6.42	1.85	6.42	6.26	2.01	5.93	5.84	2.18	5.54	5.50	2.41			
600	16°C	21°C	5.81	4.41	1.53	5.61	4.30	1.65	5.40	4.20	1.78	5.19	4.09	1.94	4.77	3.81	2.11	4.41	3.59	2.34			
		24°C	5.83	5.39	1.53	5.62	5.27	1.65	5.42	5.16	1.78	5.21	5.04	1.94	4.79	4.71	2.11	4.44	4.44	2.35			
		27°C	5.93	5.93	1.53	5.75	5.75	1.65	5.56	5.56	1.79	5.38	5.38	1.95	4.98	4.98	2.12	4.65	4.65	2.36			
		30°C	6.25	6.25	1.55	6.07	6.07	1.67	5.90	5.90	1.81	5.72	5.72	1.97	5.30	5.30	2.15	4.96	4.96	2.39			
		24°C	6.40	4.23	1.56	6.18	4.13	1.67	5.96	4.03	1.81	5.72	3.92	1.97	5.27	3.67	2.14	4.87	3.46	2.38			
		27°C	6.42	4.90	1.56	6.19	4.80	1.68	5.97	4.70	1.81	5.74	4.59	1.97	5.28	4.31	2.14	4.89	4.09	2.38			
	19°C	30°C	6.45	6.09	1.56	6.23	5.96	1.68	6.02	5.83	1.82	5.81	5.69	1.97	5.36	5.32	2.15	4.99	4.99	2.39			
		33°C	6.62	6.62	1.57	6.43	6.43	1.69	6.25	6.25	1.83	6.06	6.06	1.99	5.63	5.63	2.17	5.28	5.28	2.41			
		27°C	7.03	4.15	1.58	6.79	4.05	1.71	6.55	3.96	1.85	6.30	3.86	2.00	5.80	3.61	2.18	5.38	3.41	2.42			
		30°C	7.05	5.13	1.59	6.80	5.02	1.71	6.56	4.92	1.85	6.32	4.81	2.00	5.82	4.51	2.18	5.39	4.29	2.42			
		33°C	7.06	6.04	1.59	6.82	5.93	1.71	6.58	5.83	1.85	6.34	5.71	2.01	5.84	5.37	2.18	5.43	5.10	2.42			
		36°C	7.13	6.85	1.59	6.90	6.71	1.71	6.68	6.57	1.85	6.46	6.41	2.01	5.99	5.99	2.19	5.60	5.60	2.44			

0006110AA2020

ACK25E / ALC25C

AFR (CFM)	EWB	EDB	Outdoor temperature																				
			19°C			25°C			30°C			35°C			40°C			46°C					
			TC	SHC	PI	TC	SHC	PI	TC	SHC	PI	TC	SHC	PI	TC	SHC	PI	TC	SHC	PI			
430	16°C	21°C	6.91	4.63	1.93	6.66	4.51	2.09	6.42	4.38	2.26	6.16	4.26	2.45	5.65	3.96	2.66	5.22	3.73	2.93			
		24°C	6.92	5.54	1.93	6.67	5.41	2.09	6.42	5.29	2.26	6.17	5.16	2.45	5.67	4.81	2.66	5.24	4.54	2.93			
		27°C	6.97	6.28	1.93	6.74	6.14	2.09	6.50	5.99	2.27	6.26	5.84	2.46	5.77	5.43	2.67	5.37	5.10	2.94			
		30°C	7.19	7.19	1.94	6.98	6.98	2.10	6.77	6.77	2.28	6.55	6.55	2.48	6.07	6.07	2.69	5.68	5.68	2.97			
		24°C	7.62	4.32	1.96	7.35	4.21	2.12	7.08	4.10	2.30	6.80	3.98	2.49	6.25	3.71	2.71	5.78	3.49	2.98			
		27°C	7.62	4.94	1.96	7.36	4.83	2.12	7.09	4.72	2.30	6.81	4.61	2.49	6.26	4.31	2.71	5.79	4.08	2.98			
	19°C	30°C	7.64	6.10	1.96	7.37	5.97	2.12	7.11	5.84	2.30	6.84	5.70	2.50	6.30	5.33	2.71	5.84	5.04	2.99			
		33°C	7.73	7.73	1.97	7.48	7.48	2.13	7.23	7.23	2.31	6.99	6.99	2.51	6.46	6.46	2.72	6.04	6.04	3.01			
		27°C	8.38	4.23	2.00	8.09	4.13	2.16	7.80	4.02	2.34	7.49	3.91	2.54	6.89	3.64	2.76	6.38	3.44	3.04			
		30°C	8.39	5.15	2.00	8.10	5.04	2.16	7.80	4.93	2.34	7.49	4.81	2.54	6.89	4.50							

ACK28E / ALC28C

AFR (CFM)	EWB	EDB	Outdoor temperature																	
			19°C			25°C			30°C			35°C			40°C			46°C		
			TC	SHC	PI	TC	SHC	PI	TC	SHC	PI	TC	SHC	PI	TC	SHC	PI	TC	SHC	PI
530	16°C	21°C	7.46	5.42	2.07	7.20	5.28	2.24	6.93	5.14	2.42	6.65	4.99	2.62	6.11	4.64	2.85	5.64	4.37	3.14
		24°C	7.47	6.49	2.07	7.21	6.34	2.24	6.94	6.19	2.42	6.66	6.04	2.63	6.12	5.64	2.85	5.66	5.32	3.14
		27°C	7.53	7.36	2.07	7.28	7.19	2.24	7.02	7.02	2.43	6.76	6.76	2.63	6.24	6.24	2.86	5.80	5.80	3.15
		30°C	7.76	7.76	2.08	7.54	7.54	2.25	7.31	7.31	2.44	7.07	7.07	2.65	6.56	6.56	2.88	6.13	6.13	3.18
		24°C	8.23	5.06	2.10	7.94	4.93	2.27	7.65	4.80	2.46	7.35	4.66	2.67	6.75	4.34	2.90	6.24	4.09	3.19
		27°C	8.23	5.79	2.10	7.94	5.66	2.27	7.65	5.53	2.46	7.35	5.39	2.67	6.76	5.05	2.90	6.25	4.78	3.19
	19°C	30°C	8.25	7.14	2.10	7.96	6.99	2.27	7.68	6.84	2.46	7.39	6.67	2.67	6.80	6.24	2.90	6.31	5.90	3.20
		33°C	8.35	8.35	2.11	8.07	8.07	2.28	7.81	7.81	2.47	7.55	7.55	2.68	6.98	6.98	2.92	6.53	6.53	3.22
		27°C	9.05	4.95	2.14	8.74	4.83	2.32	8.42	4.71	2.51	8.09	4.58	2.72	7.44	4.27	2.95	6.89	4.02	3.25
		30°C	9.06	6.03	2.14	8.74	5.91	2.32	8.42	5.77	2.51	8.09	5.63	2.72	7.44	5.27	2.95	6.89	5.00	3.25
		33°C	9.06	7.05	2.14	8.75	6.91	2.32	8.43	6.78	2.51	8.10	6.64	2.72	7.45	6.23	2.96	6.91	5.92	3.26
		36°C	9.09	7.99	2.14	8.79	7.83	2.32	8.48	7.67	2.51	8.18	7.50	2.73	7.54	7.03	2.96	7.01	6.67	3.27
620	16°C	21°C	7.76	5.65	2.09	7.48	5.51	2.26	7.20	5.36	2.44	6.90	5.21	2.65	6.34	4.85	2.87	5.84	4.56	3.17
		24°C	7.79	6.86	2.09	7.51	6.70	2.26	7.23	6.54	2.44	6.93	6.37	2.65	6.37	5.95	2.87	5.89	5.61	3.17
		27°C	7.88	7.79	2.09	7.62	7.61	2.26	7.35	7.35	2.45	7.09	7.09	2.66	6.54	6.54	2.89	6.10	6.10	3.19
		30°C	8.21	8.21	2.11	7.97	7.97	2.28	7.73	7.73	2.47	7.48	7.48	2.69	6.93	6.93	2.92	6.48	6.48	3.22
		24°C	8.55	5.35	2.12	8.25	5.21	2.29	7.94	5.08	2.49	7.62	4.94	2.69	7.00	4.60	2.92	6.46	4.34	3.22
		27°C	8.57	6.16	2.12	8.26	6.02	2.29	7.95	5.89	2.49	7.63	5.75	2.70	7.01	5.37	2.92	6.48	5.09	3.22
	19°C	30°C	8.61	7.60	2.12	8.31	7.43	2.30	8.01	7.27	2.49	7.70	7.09	2.70	7.09	6.63	2.93	6.58	6.26	3.23
		33°C	8.75	8.75	2.13	8.48	8.48	2.31	8.21	8.21	2.50	7.94	7.94	2.72	7.36	7.36	2.95	6.88	6.88	3.26
		27°C	9.40	5.23	2.16	9.07	5.11	2.34	8.73	4.98	2.53	8.38	4.85	2.75	7.70	4.52	2.98	7.12	4.27	3.28
		30°C	9.41	6.42	2.16	9.08	6.29	2.34	8.74	6.15	2.54	8.39	6.01	2.75	7.71	5.63	2.98	7.13	5.34	3.28
		33°C	9.42	7.53	2.16	9.10	7.38	2.34	8.76	7.23	2.54	8.42	7.08	2.75	7.74	6.64	2.99	7.18	6.30	3.29
		36°C	9.48	8.51	2.16	9.18	8.35	2.35	8.86	8.17	2.54	8.53	7.98	2.76	7.87	7.47	3.00	7.34	7.05	3.30
725	16°C	21°C	8.05	5.90	2.10	7.76	5.75	2.27	7.46	5.60	2.46	7.15	5.44	2.67	6.56	5.07	2.89	6.04	4.77	3.19
		24°C	8.09	7.17	2.10	7.80	7.00	2.28	7.51	6.83	2.47	7.20	6.65	2.67	6.61	6.20	2.90	6.11	5.85	3.20
		27°C	8.22	8.21	2.11	7.95	7.95	2.28	7.69	7.69	2.48	7.41	7.41	2.69	6.85	6.85	2.92	6.38	6.38	3.22
		30°C	8.63	8.63	2.13	8.38	8.38	2.31	8.12	8.12	2.50	7.86	7.86	2.72	7.27	7.27	2.95	6.79	6.79	3.26
		24°C	8.86	5.66	2.14	8.54	5.52	2.31	8.22	5.38	2.51	7.88	5.23	2.72	7.23	4.88	2.95	6.68	4.60	3.25
		27°C	8.89	6.55	2.14	8.57	6.40	2.31	8.25	6.25	2.51	7.91	6.09	2.72	7.27	5.70	2.95	6.71	5.39	3.25
	19°C	30°C	8.96	8.05	2.14	8.64	7.88	2.32	8.33	7.70	2.51	8.01	7.51	2.73	7.38	7.01	2.96	6.85	6.61	3.26
		33°C	9.15	9.15	2.15	8.89	8.89	2.33	8.61	8.61	2.53	8.33	8.33	2.75	7.72	7.72	2.99	7.22	7.22	3.30
		27°C	9.72	5.53	2.18	9.38	5.41	2.36	9.02	5.28	2.56	8.66	5.14	2.77	7.96	4.79	3.01	7.35	4.53	3.31
		30°C	9.74	6.82	2.18	9.40	6.69	2.36	9.04	6.55	2.56	8.68	6.40	2.77	7.97	5.99	3.01	7.38	5.68	3.31
		33°C	9.78	8.00	2.18	9.44	7.86	2.36	9.09	7.69	2.56	8.73	7.52	2.78	8.04	7.05	3.01	7.44	6.69	3.32
		36°C	9.86	9.03	2.19	9.55	8.86	2.37	9.22	8.67	2.57	8.89	8.45	2.79	8.22	7.89	3.03	7.66	7.42	3.34
860	16°C	21°C	8.05	5.93	2.12	7.76	5.81	2.28	7.48	5.66	2.47	7.19	5.51	2.69	6.60	5.14	2.93	6.10	4.84	3.25
		24°C	8.08	7.27	2.12	7.79	7.12	2.29	7.51	6.96	2.47	7.22	6.80	2.69	6.64	6.36	2.93	6.15	6.00	3.26
		27°C	8.21	8.21	2.13	7.96	7.96	2.29	7.70	7.70	2.48	7.45	7.45	2.70	6.90	6.90	2.95	6.45	6.45	3.28
		30°C	8.65	8.65	2.15	8.41	8.41	2.32	8.17	8.17	2.51	7.91	7.91	2.73	7.34	7.34	2.98	6.87	6.87	3.31
		24°C	8.86	5.71	2.16	8.55	5.57	2.32	8.25	5.44	2.51	7.93	5.30	2.73	7.29	4.95	2.97	6.75	4.68	3.30
		27°C	8.88	6.62	2.16	8.57	6.48	2.33	8.27	6.34	2.52	7.95	6.20	2.73	7.31	5.81	2.98	6.77	5.52	3.30
	19°C	30°C	8.93	8.22	2.16	8.63	8.04	2.33	8.34	7.87	2.52	8.04	7.69	2.74	7.42	7.18	2.98	6.91	6.77	3.31
		33°C	9.17	9.17	2.17	8.90	8.90	2.34	8.65	8.65	2.54	8.39	8.39	2.76	7.80	7.80	3.01	7.31	7.31	3.34
		27°C	9.74	5.60	2.20	9.40	5.47	2.37	9.07	5.34	2.56	8.73	5.21	2.78	8.04	4.87	3.03	7.45	4.61	3.36
		30°C	9.76	6.92	2.20	9.42	6.78	2.37	9.09	6.64	2.56	8.75	6.49	2.78	8.05	6.09	3.03	7.47	5.79	3.36
		33°C	9.78	8.15	2.20	9.44	8.01	2.37	9.11	7.87	2.57	8.77	7.71	2.78	8.09	7.25	3.03	7.51	6.88	3.36
		36°C	9.87	9.24	2.21	9.56	9.06	2.38	9.25	8.87	2.57	8.95	8.65	2.80	8.29	8.09	3.04	7.76	7.63	3.38

0006110AA2828

ACK40E / ALC35D

AFR (CFM)	EWB	EDB	Outdoor temperature																	
			19°C			25°C			30°C			35°C			40°C			46°C		
			TC	SHC	PI	TC	SHC	PI	TC	SHC	PI	TC	SHC	PI	TC	SHC	PI	TC	SHC	PI
620	16°C	21°C	9.67	6.93	2.29	9.33	6.75	2.47	8.98	6.57	2.68	8.62	6.38	2.90	7.92	5.94	3.15	7.31	5.59	3.47
		24°C	9.68	8.30	2.29	9.34	8.11	2.47	8.99	7.92	2.68	8.63	7.73	2.91	7.93	7.22	3.15	7.34	6.81	3.48
		27°C	9.76	9.41	2.29	9.44	9.20	2.48	9.10	8.98	2.68	8.76	8.75	2.91	8.08	8.08	3.16	7.52	7.52	3.49
		30°C	10.06	10.06	2.30	9.77	9.77	2.49	9.48	9.48	2.70	9.17	9.17	2.93	8.50	8.50	3.19	7.95	7.95	3.52
		24°C	10.67	6.47	2.32	10.29	6.31	2.51	9.92	6.14	2.72	9.52	5.97	2.96	8.75	5.56	3.21	8.09	5.23	3.53
		27°C	10.67	7.41	2.32	10.30	7.24	2.52	9.92	7.07	2.73	9.53	6.90	2.96	8.76	6.46	3.21	8.10	6.12	3.53
	19°C	30°C	10.69	9.14	2.32	10.32	8.94	2.52	9.96	8.75	2.73	9.58	8.54	2.96	8.82	7.98	3.21	8.18	7.55	3.54
		33°C	10.82	10.82	2.33	10.47	10.47	2.52	10.13	10.13	2.74	9.78	9.78	2.97	9.05	9.05	3.23	8.46	8.46	3.56
		27°C	11.74	6.34	2.37	11.33	6.18	2.56	10.92	6.03	2.78	10.49	5.86	3.01	9.65	5.46	3.27	8.93	5.15	3.60
		30°C	11.74	7.72	2.37	11.33	7.56	2.56	10.92	7.38	2.78	10.49	7.21	3.01	9.65	6.75	3.27	8.93	6.40	3.60
		33°C	11.75																	

ACK40E / ALC40D

AFR (CFM)	EWB	EDB	Outdoor temperature																	
			19°C			25°C			30°C			35°C			40°C			46°C		
			TC	SHC	PI	TC	SHC	PI	TC	SHC	PI	TC	SHC	PI	TC	SHC	PI	TC	SHC	PI
620	16°C	21°C	10.94	7.53	2.66	10.55	7.33	2.88	10.16	7.14	3.12	9.75	6.93	3.38	8.95	6.45	3.67	8.27	6.07	4.05
		24°C	10.95	9.02	2.66	10.56	8.81	2.88	10.17	8.61	3.12	9.76	8.39	3.38	8.97	7.84	3.67	8.30	7.40	4.05
		27°C	11.04	10.22	2.67	10.67	9.99	2.89	10.30	9.76	3.13	9.91	9.51	3.39	9.14	8.85	3.68	8.51	8.31	4.06
		30°C	11.38	11.38	2.68	11.05	11.05	2.90	10.72	10.72	3.15	10.37	10.37	3.42	9.61	9.61	3.71	8.99	8.99	4.10
		24°C	12.06	7.03	2.71	11.64	6.85	2.93	11.21	6.67	3.17	10.77	6.48	3.44	9.90	6.04	3.73	9.15	5.69	4.12
		27°C	12.07	8.04	2.71	11.65	7.86	2.93	11.22	7.68	3.17	10.78	7.50	3.44	9.91	7.01	3.74	9.16	6.64	4.12
	19°C	30°C	12.09	9.93	2.71	11.67	9.72	2.93	11.26	9.50	3.18	10.83	9.27	3.45	9.97	8.67	3.74	9.25	8.20	4.12
		33°C	12.23	12.23	2.71	11.83	11.83	2.94	11.45	11.45	3.19	11.06	11.06	3.46	10.23	10.23	3.76	9.57	9.57	4.15
		27°C	13.27	6.88	2.76	12.81	6.72	2.98	12.34	6.55	3.24	11.86	6.37	3.51	10.91	5.93	3.81	10.10	5.59	4.19
		30°C	13.28	8.39	2.76	12.82	8.21	2.98	12.35	8.02	3.24	11.86	7.83	3.51	10.91	7.33	3.81	10.10	6.95	4.20
		33°C	13.28	9.79	2.76	12.82	9.61	2.99	12.36	9.42	3.24	11.87	9.22	3.51	10.93	8.66	3.81	10.13	8.22	4.20
		36°C	13.33	11.11	2.76	12.89	10.88	2.99	12.44	10.66	3.24	11.99	10.42	3.52	11.05	9.77	3.82	10.28	9.27	4.21
740	16°C	21°C	11.38	7.85	2.69	10.97	7.65	2.91	10.55	7.45	3.15	10.12	7.24	3.41	9.29	6.74	3.70	8.57	6.34	4.08
		24°C	11.41	9.53	2.69	11.00	9.31	2.91	10.59	9.09	3.15	10.16	8.86	3.42	9.34	8.27	3.71	8.63	7.80	4.08
		27°C	11.55	10.83	2.70	11.16	10.58	2.92	10.78	10.30	3.16	10.39	10.00	3.43	9.59	9.29	3.72	8.94	8.69	4.11
		30°C	12.03	12.03	2.71	11.68	11.68	2.94	11.33	11.33	3.19	10.96	10.96	3.46	10.16	10.16	3.76	9.49	9.49	4.15
		24°C	12.54	7.43	2.73	12.09	7.24	2.96	11.64	7.06	3.20	11.17	6.86	3.47	10.26	6.39	3.77	9.48	6.03	4.15
		27°C	12.56	8.56	2.73	12.11	8.37	2.96	11.66	8.18	3.20	11.19	7.99	3.48	10.28	7.47	3.77	9.50	7.07	4.15
	19°C	30°C	12.62	10.56	2.74	12.18	10.33	2.96	11.74	10.10	3.21	11.29	9.85	3.48	10.40	9.21	3.78	9.65	8.70	4.16
		33°C	12.83	12.83	2.74	12.44	12.44	2.97	12.04	12.04	3.23	11.64	11.64	3.50	10.78	10.78	3.81	10.08	10.08	4.20
		27°C	13.77	7.28	2.78	13.29	7.10	3.01	12.80	6.93	3.27	12.29	6.74	3.54	11.29	6.28	3.84	10.44	5.93	4.23
		30°C	13.79	8.93	2.78	13.31	8.74	3.01	12.81	8.55	3.27	12.30	8.35	3.54	11.31	7.82	3.84	10.46	7.42	4.23
		33°C	13.82	10.46	2.78	13.34	10.26	3.02	12.85	10.05	3.27	12.34	9.84	3.55	11.35	9.23	3.85	10.52	8.76	4.24
		36°C	13.90	11.83	2.79	13.45	11.60	3.02	12.98	11.36	3.28	12.51	11.10	3.56	11.54	10.38	3.86	10.76	9.80	4.26
860	16°C	21°C	11.80	8.20	2.71	11.37	7.99	2.93	10.93	7.78	3.17	10.48	7.56	3.44	9.61	7.04	3.73	8.86	6.63	4.11
		24°C	11.86	9.96	2.71	11.43	9.72	2.93	11.00	9.49	3.18	10.56	9.24	3.45	9.70	8.62	3.74	8.96	8.13	4.12
		27°C	12.05	11.41	2.72	11.66	11.12	2.94	11.27	10.81	3.19	10.86	10.47	3.46	10.04	9.70	3.76	9.35	9.06	4.15
		30°C	12.66	12.66	2.74	12.29	12.29	2.97	11.91	11.91	3.22	11.52	11.52	3.50	10.66	10.66	3.80	9.96	9.96	4.20
		24°C	12.99	7.86	2.75	12.52	7.67	2.98	12.04	7.47	3.23	11.55	7.27	3.50	10.60	6.78	3.80	9.79	6.39	4.18
		27°C	13.03	9.10	2.76	12.56	8.89	2.98	12.09	8.68	3.23	11.60	8.47	3.51	10.65	7.92	3.80	9.84	7.49	4.19
	19°C	30°C	13.14	11.19	2.76	12.67	10.95	2.99	12.22	10.70	3.24	11.75	10.43	3.51	10.82	9.74	3.81	10.04	9.18	4.20
		33°C	13.42	13.42	2.77	13.03	13.03	3.01	12.63	12.63	3.26	12.21	12.21	3.54	11.31	11.31	3.85	10.58	10.58	4.25
		27°C	14.25	7.69	2.81	13.75	7.52	3.04	13.23	7.33	3.29	12.70	7.14	3.57	11.66	6.66	3.87	10.78	6.29	4.27
		30°C	14.28	9.48	2.81	13.77	9.30	3.04	13.26	9.10	3.30	12.72	8.89	3.57	11.69	8.33	3.88	10.81	7.89	4.27
		33°C	14.33	11.11	2.81	13.84	10.92	3.05	13.33	10.69	3.30	12.80	10.45	3.58	11.78	9.80	3.88	10.91	9.30	4.28
		36°C	14.46	12.55	2.82	14.01	12.32	3.05	13.52	12.05	3.31	13.04	11.75	3.60	12.05	10.96	3.90	11.24	10.32	4.31
1030	16°C	21°C	11.80	8.27	2.74	11.38	8.07	2.95	10.97	7.87	3.19	10.54	7.66	3.46	9.68	7.14	3.77	8.94	6.73	4.19
		24°C	11.84	10.11	2.74	11.42	9.89	2.95	11.01	9.68	3.19	10.58	9.45	3.46	9.73	8.84	3.78	9.01	8.34	4.20
		27°C	12.04	11.59	2.75	11.67	11.30	2.96	11.29	11.01	3.20	10.92	10.68	3.48	10.11	10.09	3.80	9.45	9.45	4.23
		30°C	12.68	12.68	2.77	12.33	12.33	2.99	11.97	11.97	3.24	11.60	11.60	3.52	10.76	10.76	3.84	10.07	10.07	4.27
		24°C	12.99	7.93	2.78	12.54	7.74	3.00	12.09	7.55	3.24	11.62	7.36	3.52	10.69	6.88	3.83	9.89	6.50	4.26
		27°C	13.02	9.20	2.78	12.57	9.00	3.00	12.12	8.81	3.24	11.65	8.62	3.52	10.72	8.08	3.83	9.92	7.67	4.26
	19°C	30°C	13.09	11.42	2.79	12.65	11.18	3.00	12.22	10.94	3.25	11.78	10.68	3.53	10.88	9.98	3.84	10.13	9.41	4.27
		33°C	13.44	13.44	2.80	13.05	13.05	3.02	12.69	12.69	3.27	12.30	12.30	3.56	11.43	11.43	3.88	10.71	10.71	4.31
		27°C	14.27	7.78	2.84	13.78	7.60	3.05	13.30	7.42	3.30	12.79	7.24	3.58	11.78	6.76	3.90	10.92	6.40	4.33
		30°C	14.30	9.62	2.84	13.81	9.42	3.06	13.32	9.23	3.30	12.82	9.03	3.59	11.81	8.47	3.90	10.94	8.05	4.33
		33°C	14.34	11.33	2.84	13.85	11.13	3.06	13.35	10.93	3.31	12.86	10.72	3.59	11.85	10.07	3.91	11.02	9.57	4.33
		36°C	14.47	12.84	2.84	14.01	12.59	3.07	13.56	12.32	3.32	13.12	12.02	3.60	12.15	11.24	3.92	11.37	10.61	4.36

0006110AB4040

ACK40E / ALC40D (3 Phase)

AFR (CFM)	EWB	EDB	Outdoor temperature																	
			19°C			25°C			30°C			35°C			40°C			46°C		
			TC	SHC	PI	TC	SHC	PI	TC	SHC	PI	TC	SHC	PI	TC	SHC	PI	TC	SHC	PI
620	16°C	21°C	10.94	7.43	2.77	10.55	7.23	3.00	10.16	7.04	3.25	9.75	6.84	3.52	8.95	6.36	3.82	8.27	5.99	4.21
		24°C	10.95	8.89	2.77	10.56	8.69	3.00	10.17	8.49	3.25	9.76	8.28	3.52	8.97	7.73	3.82	8.30	7.29	4.21
		27°C	11.04	10.08	2.78	10.67	9.86	3.01	10.30	9.62	3.26	9.91	9.38	3.53	9.14	8.73	3.83	8.51	8.19	4.23
		30°C	11.38	11.38	2.79	11.05	11.05	3.02	10.72	10.72	3.28	10.37	10.37	3.56	9.61	9.61	3.87	8.99	8.99	4.27
		24°C	12.06	6.93	2.82	11.64	6.76	3.05	11.21	6.58	3.30	10.77	6.39	3.58	9.90	5.95	3.89	9.15	5.61	4.28
		27°C	12.07	7.93	2.82	11.65	7.76	3.05	11.22	7.58	3.30	10.78	7.39	3.58	9.91	6.92	3.89	9.16	6.55	4.29
	19°C	30°C	12.09	9.79	2.82	11.67	9.58	3.05	11.26	9.37	3.31	10.83	9.14	3.59	9.97	8.55	3.89	9.25	8.09	4.29
		33°C	12.23	12.23	2.83	11.83	11.83	3.06	11.45	11.45	3.32	11.06	11.06	3.60	10.23	10.23	3.91	9.57	9.57	4.32
		27°C	13.27	6.79	2.87															

ACK50E / ALC50D (3 Phase)

AFR (CFM)	EWB	EDB	Outdoor temperature																	
			19°C			25°C			30°C			35°C			40°C			46°C		
			TC	SHC	PI	TC	SHC	PI	TC	SHC	PI	TC	SHC	PI	TC	SHC	PI	TC	SHC	PI
780	16°C	21°C	13.67	9.29	3.50	13.19	9.04	3.78	12.70	8.80	4.09	12.19	8.55	4.44	11.19	7.95	4.82	10.33	7.48	5.31
		24°C	13.69	11.12	3.50	13.20	10.87	3.78	12.71	10.61	4.09	12.21	10.35	4.44	11.21	9.67	4.82	10.37	9.12	5.31
		27°C	13.80	12.61	3.50	13.34	12.32	3.79	12.87	12.03	4.10	12.39	11.72	4.45	11.43	10.91	4.83	10.63	10.25	5.33
		30°C	14.22	14.22	3.52	13.81	13.81	3.81	13.40	13.40	4.13	12.96	12.96	4.49	12.02	12.02	4.87	11.24	11.24	5.38
	19°C	24°C	15.08	8.67	3.55	14.55	8.45	3.84	14.02	8.23	4.16	13.46	7.99	4.52	12.37	7.44	4.90	11.44	7.01	5.40
		27°C	15.09	9.92	3.55	14.56	9.70	3.84	14.03	9.47	4.17	13.47	9.24	4.52	12.38	8.65	4.90	11.45	8.19	5.40
		30°C	15.11	12.24	3.55	14.59	11.98	3.85	14.08	11.71	4.17	13.54	11.43	4.52	12.47	10.69	4.91	11.57	10.12	5.41
		33°C	15.29	15.29	3.56	14.80	14.80	3.86	14.32	14.32	4.18	13.83	13.83	4.54	12.79	12.79	4.93	11.96	11.96	5.44
	22°C	27°C	16.59	8.49	3.62	16.02	8.28	3.92	15.43	8.07	4.25	14.83	7.85	4.60	13.64	7.32	5.00	12.62	6.90	5.50
		30°C	16.60	10.34	3.62	16.02	10.12	3.92	15.44	9.89	4.25	14.83	9.66	4.61	13.64	9.04	5.00	12.63	8.57	5.50
		33°C	16.61	12.08	3.62	16.03	11.85	3.92	15.45	11.61	4.25	14.84	11.37	4.61	13.66	10.68	5.00	12.66	10.14	5.51
		36°C	16.66	13.70	3.62	16.11	13.42	3.92	15.55	13.14	4.25	14.98	12.85	4.62	13.82	12.05	5.01	12.85	11.43	5.52
930	16°C	21°C	14.23	9.69	3.53	13.71	9.44	3.81	13.19	9.19	4.13	12.65	8.93	4.48	11.61	8.31	4.86	10.71	7.82	5.35
		24°C	14.27	11.76	3.53	13.76	11.48	3.82	13.24	11.21	4.13	12.71	10.92	4.48	11.67	10.19	4.86	10.79	9.62	5.36
		27°C	14.44	13.35	3.54	13.96	13.04	3.83	13.47	12.71	4.15	12.99	12.33	4.50	11.99	11.45	4.88	11.17	10.71	5.39
		30°C	15.04	15.04	3.56	14.61	14.61	3.86	14.16	14.16	4.18	13.70	13.70	4.54	12.70	12.70	4.93	11.87	11.87	5.45
	19°C	24°C	15.67	9.16	3.58	15.11	8.93	3.88	14.55	8.70	4.20	13.96	8.46	4.56	12.82	7.88	4.94	11.85	7.43	5.45
		27°C	15.70	10.55	3.59	15.14	10.32	3.88	14.57	10.09	4.20	13.99	9.85	4.56	12.85	9.21	4.95	11.88	8.72	5.45
		30°C	15.77	13.02	3.59	15.23	12.74	3.89	14.68	12.45	4.21	14.12	12.15	4.57	13.00	11.36	4.96	12.06	10.73	5.46
		33°C	16.04	16.04	3.60	15.55	15.55	3.90	15.05	15.05	4.23	14.55	14.55	4.60	13.48	13.48	4.99	12.60	12.60	5.51
	22°C	27°C	17.22	8.97	3.65	16.61	8.76	3.95	16.00	8.54	4.29	15.36	8.31	4.65	14.12	7.75	5.04	13.06	7.31	5.55
		30°C	17.24	11.01	3.65	16.63	10.78	3.96	16.01	10.54	4.29	15.38	10.29	4.65	14.13	9.64	5.04	13.07	9.15	5.55
		33°C	17.27	12.90	3.65	16.67	12.65	3.96	16.06	12.40	4.29	15.43	12.13	4.65	14.19	11.38	5.05	13.16	10.80	5.56
		36°C	17.38	14.58	3.66	16.82	14.31	3.97	16.23	14.01	4.30	15.64	13.68	4.67	14.43	12.80	5.07	13.45	12.08	5.59
1030	16°C	21°C	14.75	10.11	3.56	14.21	9.85	3.84	13.67	9.59	4.16	13.10	9.32	4.51	12.01	8.68	4.89	11.07	8.17	5.39
		24°C	14.83	12.28	3.56	14.29	11.99	3.85	13.75	11.70	4.17	13.20	11.39	4.52	12.12	10.63	4.90	11.20	10.02	5.40
		27°C	15.07	14.07	3.57	14.58	13.71	3.86	14.08	13.33	4.19	13.58	12.91	4.54	12.55	11.96	4.93	11.69	11.17	5.44
		30°C	15.82	15.82	3.60	15.36	15.36	3.90	14.89	14.89	4.23	14.40	14.40	4.59	13.33	13.33	4.99	12.45	12.45	5.51
	19°C	24°C	16.24	9.69	3.61	15.65	9.45	3.91	15.05	9.21	4.24	14.44	8.96	4.60	13.25	8.35	4.98	12.24	7.88	5.49
		27°C	16.28	11.21	3.62	15.70	10.96	3.91	15.11	10.70	4.24	14.50	10.44	4.60	13.31	9.76	4.99	12.30	9.24	5.50
		30°C	16.42	13.80	3.62	15.84	13.50	3.92	15.27	13.19	4.25	14.69	12.86	4.61	13.52	12.01	5.00	12.55	11.32	5.52
		33°C	16.77	16.77	3.64	16.28	16.28	3.95	15.78	15.78	4.28	15.26	15.26	4.65	14.14	14.14	5.05	13.22	13.22	5.58
	22°C	27°C	17.82	9.48	3.68	17.18	9.27	3.99	16.54	9.04	4.32	15.87	8.80	4.69	14.58	8.22	5.08	13.47	7.76	5.60
		30°C	17.85	11.69	3.68	17.22	11.47	3.99	16.57	11.22	4.33	15.90	10.96	4.69	14.61	10.27	5.09	13.52	9.73	5.60
		33°C	17.92	13.70	3.69	17.30	13.46	4.00	16.66	13.18	4.33	16.01	12.89	4.70	14.72	12.08	5.10	13.64	11.46	5.61
		36°C	18.07	15.47	3.70	17.51	15.19	4.01	16.90	14.86	4.35	16.30	14.49	4.72	15.06	13.51	5.12	14.05	12.72	5.65
1200	16°C	21°C	14.75	10.19	3.59	14.23	9.95	3.86	13.71	9.70	4.18	13.17	9.45	4.54	12.10	8.81	4.95	11.18	8.30	5.50
		24°C	14.80	12.46	3.59	14.27	12.20	3.87	13.76	11.93	4.18	13.23	11.65	4.55	12.16	10.89	4.95	11.26	10.28	5.51
		27°C	15.04	14.29	3.60	14.58	13.93	3.88	14.12	13.57	4.20	13.64	13.16	4.57	12.64	12.44	4.98	11.81	11.74	5.54
		30°C	15.85	15.85	3.64	15.41	15.41	3.92	14.97	14.97	4.24	14.50	14.50	4.62	13.45	13.45	5.03	12.59	12.59	5.60
	19°C	24°C	16.23	9.78	3.65	15.67	9.54	3.93	15.11	9.31	4.25	14.53	9.08	4.62	13.36	8.48	5.03	12.36	8.01	5.58
		27°C	16.28	11.34	3.65	15.71	11.10	3.93	15.15	10.87	4.25	14.57	10.63	4.62	13.40	9.96	5.03	12.40	9.46	5.59
		30°C	16.36	14.08	3.66	15.81	13.78	3.94	15.28	13.49	4.26	14.73	13.17	4.63	13.60	12.31	5.04	12.67	11.60	5.60
		33°C	16.79	16.79	3.68	16.31	16.31	3.96	15.86	15.86	4.29	15.38	15.38	4.67	14.28	14.28	5.09	13.39	13.39	5.66
	22°C	27°C	17.84	9.59	3.72	17.22	9.37	4.01	16.82	9.15	4.33	15.99	8.92	4.70	14.72	8.34	5.12	13.65	7.89	5.67
		30°C	17.88	11.86	3.72	17.26	11.61	4.01	16.85	11.37	4.34	16.03	11.13	4.70	14.76	10.44	5.12	13.68	9.93	5.68
		33°C	17.92	13.97	3.72	17.31	13.72	4.01	16.89	13.48	4.34	16.08	13.21	4.71	14.81	12.42	5.12	13.77	11.80	5.68
		36°C	18.09	15.83	3.73	17.51	15.52	4.02	16.95	15.19	4.35	16.40	14.82	4.73	15.19	13.85	5.15	14.21	13.08	5.72

00061120AB5050

Remark:
 AFR: Air flow rate (CFM)
 EWB: Entering Wet Bulb Temp. (°C)
 EDB: Entering Dry Bulb Temp. (°C)
 TC: Total Cooling Capacity (kW)
 SHC: Sensible Heat Capacity (kW)
 PI: Power Input

Notes:
 1. Ratings shown are gross capacities which do not include a deduction for indoor fan motor heat.
 2. [Blue shaded cell] shows nominal capacities.
 3. Direct interpolation is permissible. Do not extrapolate.
 4. Unit is able to operate at ambient from 0 °C to 46°C without pressure trip.

R22 Models - Heatpump

ACK20ER / ALC20CR

COOLING MODE

AFR (CFM)	EWB	EDB	Outdoor temperature																	
			19°C			25°C			30°C			35°C			40°C			46°C		
			TC	SHC	PI	TC	SHC	PI	TC	SHC	PI	TC	SHC	PI	TC	SHC	PI	TC	SHC	PI
400	16°C	21°C	5.39	4.02	1.49	5.20	3.91	1.61	5.00	3.81	1.74	4.80	3.70	1.89	4.41	3.44	2.05	4.07	3.24	2.26
		24°C	5.40	4.81	1.49	5.20	4.70	1.61	5.01	4.59	1.74	4.81	4.48	1.89	4.42	4.18	2.05	4.09	3.94	2.26
		27°C	5.44	5.44	1.49	5.26	5.26	1.61	5.07	5.07	1.75	4.88	4.88	1.90	4.50	4.50	2.06	4.19	4.19	2.27
		30°C	5.61	5.61	1.50	5.44	5.44	1.62	5.28	5.28	1.76	5.11	5.11	1.91	4.74	4.74	2.08	4.43	4.43	2.29
	19°C	24°C	5.94	3.75	1.51	5.74	3.65	1.64	5.52	3.56	1.77	5.31	3.46	1.92	4.88	3.22	2.09	4.51	3.03	2.30
		27°C	5.95	4.29	1.51	5.74	4.19	1.64	5.53	4.10	1.77	5.31	4.00	1.92	4.88	3.74	2.09	4.51	3.54	2.30
		30°C	5.96	5.29	1.51	5.75	5.18	1.64	5.55	5.07	1.78	5.34	4.94	1.93	4.91	4.62	2.09	4.56	4.38	2.31
		33°C	6.03	6.03	1.52	5.83	5.83	1.64	5.64	5.64	1.78	5.45	5.45	1.93	5.04	5.04	2.10	4.71	4.71	2.32
	22°C	27°C	6.54	3.67	1.54	6.31	3.58	1.67	6.08	3.49	1.81	5.84	3.40	1.96	5.37	3.16	2.13	4.98	2.98	2.34
		30°C	6.54	4.47	1.54	6.32	4.38	1.67	6.08	4.28	1.81	5.85	4.18	1.96	5.38	3.91	2.13	4.98	3.71	2.35
		33°C	6.54	5.22	1.54	6.32	5.12	1.67	6.09	5.02	1.81	5.85	4.92	1.96	5.38	4.62	2.13	4.99	4.39	2.35
		36°C	6.57	5.92	1.54	6.35	5.80	1.67	6.13	5.68	1.81	5.91	5.56	1.97	5.45	5.21	2.13	5.06	4.94	2.35
430	16°C	21°C	5.61	4.19	1.50	5.40	4.08	1.62	5.20	3.97	1.76	4.99	3.86	1.91	4.58	3.59	2.07	4.22	3.38	2.28
		24°C	5.62	5.08	1.50	5.42	4.96	1.63	5.22	4.85	1.76	5.01	4.72	1.91	4.60	4.41	2.07	4.25	4.16	2.28
		27°C	5.69	5.69	1.51	5.50	5.50	1.63	5.31	5.31	1.77	5.12	5.12	1.92	4.73	4.73	2.08	4.40	4.40	2.30
		30°C	5.93	5.93	1.52	5.76	5.76	1.64	5.58	5.58	1.78	5.40	5.40	1.94	5.00	5.00	2.10	4.68	4.68	2.32
	19°C	24°C	6.18	3.96	1.53	5.96	3.86	1.65	5.73	3.76	1.79	5.50	3.66	1.94	5.05	3.41	2.11	4.67	3.21	2.32
		27°C	6.19	4.56	1.53	5.97	4.46	1.65	5.74	4.36	1.79	5.51	4.26	1.94	5.06	3.98	2.11	4.68	3.77	2.32
		30°C	6.22	5.63	1.53	6.00	5.51	1.66	5.79	5.38	1.79	5.56	5.25	1.95	5.12	4.91	2.11	4.75	4.64	2.33
		33°C	6.32	6.32	1.53	6.13	6.13	1.66	5.93	5.93	1.80	5.74	5.74	1.96	5.31	5.31	2.13	4.97	4.97	2.35
	22°C	27°C	6.79	3.88	1.56	6.55	3.79	1.68	6.30	3.69	1.83	6.05	3.59	1.98	5.56	3.35	2.15	5.14	3.16	2.37
		30°C	6.79	4.76	1.56	6.55	4.66	1.69	6.31	4.56	1.83	6.06	4.45	1.98	5.57	4.17	2.15	5.15	3.96	2.37
		33°C	6.81	5.58	1.56	6.57	5.47	1.69	6.33	5.36	1.83	6.08	5.24	1.98	5.59	4.92	2.15	5.18	4.67	2.37
		36°C	6.85	6.30	1.56	6.63	6.19	1.69	6.40	6.06	1.83	6.16	5.92	1.99	5.69	5.54	2.16	5.30	5.22	2.38
530	16°C	21°C	5.81	4.37	1.51	5.60	4.26	1.64	5.39	4.15	1.77	5.16	4.03	1.92	4.74	3.75	2.09	4.36	3.53	2.30
		24°C	5.84	5.31	1.52	5.63	5.18	1.64	5.42	5.06	1.78	5.20	4.92	1.93	4.78	4.60	2.09	4.41	4.33	2.30
		27°C	5.94	5.94	1.52	5.74	5.74	1.65	5.55	5.55	1.78	5.35	5.35	1.94	4.95	4.95	2.10	4.61	4.61	2.32
		30°C	6.24	6.24	1.53	6.05	6.05	1.66	5.87	5.87	1.80	5.67	5.67	1.96	5.25	5.25	2.13	4.91	4.91	2.35
	19°C	24°C	6.40	4.19	1.54	6.17	4.09	1.67	5.93	3.98	1.81	5.69	3.88	1.96	5.22	3.61	2.12	4.82	3.41	2.34
		27°C	6.42	4.85	1.54	6.19	4.74	1.67	5.96	4.63	1.81	5.72	4.51	1.96	5.25	4.22	2.13	4.85	3.99	2.34
		30°C	6.47	5.97	1.54	6.24	5.84	1.67	6.02	5.70	1.81	5.79	5.56	1.96	5.33	5.19	2.13	4.95	4.90	2.35
		33°C	6.61	6.61	1.55	6.42	6.42	1.68	6.22	6.22	1.82	6.02	6.02	1.98	5.57	5.57	2.15	5.21	5.21	2.38
	22°C	27°C	7.02	4.10	1.57	6.77	4.01	1.70	6.52	3.91	1.84	6.26	3.81	2.00	5.75	3.55	2.17	5.31	3.35	2.38
		30°C	7.04	5.06	1.57	6.79	4.96	1.70	6.53	4.85	1.84	6.27	4.74	2.00	5.76	4.44	2.17	5.33	4.21	2.39
		33°C	7.06	5.92	1.57	6.82	5.82	1.70	6.57	5.70	1.85	6.31	5.57	2.00	5.80	5.22	2.17	5.38	4.96	2.39
		36°C	7.12	6.69	1.57	6.90	6.57	1.71	6.66	6.42	1.85	6.42	6.26	2.01	5.93	5.84	2.18	5.54	5.50	2.41
600	16°C	21°C	5.81	4.41	1.53	5.61	4.30	1.65	5.40	4.20	1.78	5.19	4.09	1.94	4.77	3.81	2.11	4.41	3.59	2.34
		24°C	5.83	5.39	1.53	5.62	5.27	1.65	5.42	5.16	1.78	5.21	5.04	1.94	4.79	4.71	2.11	4.44	4.44	2.35
		27°C	5.93	5.93	1.53	5.75	5.75	1.65	5.56	5.56	1.79	5.38	5.38	1.95	4.98	4.98	2.12	4.65	4.65	2.36
		30°C	6.25	6.25	1.55	6.07	6.07	1.67	5.90	5.90	1.81	5.72	5.72	1.97	5.30	5.30	2.15	4.96	4.96	2.39
	19°C	24°C	6.40	4.23	1.56	6.18	4.13	1.67	5.96	4.03	1.81	5.72	3.92	1.97	5.27	3.67	2.14	4.87	3.46	2.38
		27°C	6.42	4.90	1.56	6.19	4.80	1.68	5.97	4.70	1.81	5.74	4.59	1.97	5.28	4.31	2.14	4.89	4.09	2.38
		30°C	6.45	6.09	1.56	6.23	5.96	1.68	6.02	5.83	1.82	5.81	5.69	1.97	5.36	5.32	2.15	4.99	4.99	2.39
		33°C	6.62	6.62	1.57	6.43	6.43	1.69	6.25	6.25	1.83	6.06	6.06	1.99	5.63	5.63	2.17	5.28	5.28	2.41
	22°C	27°C	7.03	4.15	1.58	6.79	4.05	1.71	6.55	3.96	1.85	6.30	3.86	2.00	5.80	3.61	2.18	5.38	3.41	2.42
		30°C	7.05	5.13	1.59	6.80	5.02	1.71	6.56	4.92	1.85	6.32	4.81	2.00	5.82	4.51	2.18	5.39	4.29	2.42
		33°C	7.06	6.04	1.59	6.82	5.93	1.71	6.58	5.83	1.85	6.34	5.71	2.01	5.84	5.37	2.18	5.43	5.10	2.42
		36°C	7.13	6.85	1.59	6.90	6.71	1.71	6.68	6.57	1.85	6.46	6.41	2.01	5.99	5.99	2.19	5.60	5.60	2.44

HEATING MODE

ID DB °C	Outdoor WB °C													
	-9		-6		-5		6		12		15		18	
	TC(kW)	SC(kW)	TC(kW)	SC(kW)	TC(kW)	SC(kW)	TC(kW)	SC(kW)	TC(kW)	SC(kW)	TC(kW)	SC(kW)	TC(kW)	SC(kW)
15	2.322	2.322	2.983	2.983	3.204	3.204	5.629	5.629	6.952	6.952	7.614	7.614	8.275	8.275
17	2.245	2.245	2.917	2.917	3.141	3.141	5.489	5.489	6.762	6.762	7.401	7.401	8.04	8.04
19	2.167	2.167	2.85	2.85	3.078	3.078	5.349	5.349	6.572	6.572	7.188	7.188	7.805	7.805
21	2.09	2.09	2.784	2.784	3.015	3.015	5.209	5.209	6.381	6.381	6.975	6.975	7.569	7.569
23	2.104	2.104	2.74	2.74	2.952	2.952	5.058	5.058	6.191	6.191	6.762	6.762	7.334	7.334
25	2.118	2.118	2.697	2.697	2.89	2.89	4.907	4.907	6	6	6.549	6.549	7.098	7.098
27	2.132	2.132	2.653	2.653	2.827	2.827	4.756	4.756	5.81	5.81	6.336	6.336	6.863	6.863

FROST REGION

Remark:

- AFR: Air flow rate (CFM)
- EWB: Entering Wet Bulb Temp. (°C)
- EDB: Entering Dry Bulb Temp. (°C)
- TC: Total Cooling Capacity (kW)
- SHC: Sensible Heat Capacity (kW)
- PI: Power Input

Notes:

1. Ratings shown are gross capacities which do not include a deduction for indoor fan motor heat.
2. [Redacted]
3. Direct interpolation is permissible. Do not extrapolate.
4. Unit is able to operate at ambient from 0 °C to 46°C without pressure trip.

00061210AA2020

ACK25ER / ALC25CR
COOLING MODE

AFR (CFM)	EWB	EDB	Outdoor temperature																	
			19°C			25°C			30°C			35°C			40°C			46°C		
			TC	SHC	PI	TC	SHC	PI	TC	SHC	PI	TC	SHC	PI	TC	SHC	PI	TC	SHC	PI
430	16°C	21°C	6.91	4.63	1.93	6.66	4.51	2.09	6.42	4.38	2.26	6.16	4.26	2.45	5.65	3.96	2.66	5.22	3.73	2.93
		24°C	6.92	5.54	1.93	6.67	5.41	2.09	6.42	5.29	2.26	6.17	5.16	2.45	5.67	4.81	2.66	5.24	4.54	2.93
		27°C	6.97	6.28	1.93	6.74	6.14	2.09	6.50	5.99	2.27	6.26	5.84	2.46	5.77	5.43	2.67	5.37	5.10	2.94
		30°C	7.19	7.19	1.94	6.98	6.98	2.10	6.77	6.77	2.28	6.55	6.55	2.48	6.07	6.07	2.69	5.68	5.68	2.97
	19°C	24°C	7.62	4.32	1.96	7.35	4.21	2.12	7.08	4.10	2.30	6.80	3.98	2.49	6.25	3.71	2.71	5.78	3.49	2.98
		27°C	7.62	4.94	1.96	7.36	4.83	2.12	7.09	4.72	2.30	6.81	4.61	2.49	6.26	4.31	2.71	5.79	4.08	2.98
		30°C	7.64	6.10	1.96	7.37	5.97	2.12	7.11	5.84	2.30	6.84	5.70	2.50	6.30	5.33	2.71	5.84	5.04	2.99
		33°C	7.73	7.73	1.97	7.48	7.48	2.13	7.23	7.23	2.31	6.99	6.99	2.51	6.46	6.46	2.72	6.04	6.04	3.01
	22°C	27°C	8.38	4.23	2.00	8.09	4.13	2.16	7.80	4.02	2.34	7.49	3.91	2.54	6.89	3.64	2.76	6.38	3.44	3.04
		30°C	8.39	5.15	2.00	8.10	5.04	2.16	7.80	4.93	2.34	7.49	4.81	2.54	6.89	4.50	2.76	6.38	4.27	3.04
		33°C	8.39	6.02	2.00	8.10	5.90	2.16	7.80	5.79	2.34	7.50	5.67	2.54	6.90	5.32	2.76	6.40	5.05	3.04
		36°C	8.42	6.82	2.00	8.14	6.69	2.17	7.86	6.55	2.35	7.57	6.40	2.55	6.98	6.00	2.77	6.49	5.69	3.05
530	16°C	21°C	7.19	4.83	1.95	6.93	4.70	2.11	6.67	4.58	2.28	6.39	4.45	2.47	5.87	4.14	2.68	5.41	3.90	2.96
		24°C	7.21	5.86	1.95	6.95	5.72	2.11	6.69	5.58	2.28	6.42	5.44	2.48	5.90	5.08	2.68	5.45	4.79	2.96
		27°C	7.30	6.65	1.95	7.05	6.50	2.11	6.81	6.33	2.29	6.56	6.14	2.48	6.06	5.71	2.70	5.65	5.34	2.98
		30°C	7.60	7.60	1.97	7.38	7.38	2.13	7.16	7.16	2.31	6.92	6.92	2.51	6.41	6.41	2.72	6.00	6.00	3.01
	19°C	24°C	7.92	4.57	1.98	7.64	4.45	2.14	7.35	4.33	2.32	7.05	4.22	2.52	6.48	3.93	2.73	5.99	3.70	3.01
		27°C	7.93	5.26	1.98	7.65	5.14	2.14	7.36	5.03	2.32	7.07	4.91	2.52	6.49	4.59	2.73	6.00	4.34	3.01
		30°C	7.97	6.49	1.98	7.69	6.35	2.15	7.42	6.20	2.33	7.13	6.05	2.52	6.57	5.66	2.74	6.09	5.35	3.02
		33°C	8.10	8.10	1.99	7.86	7.86	2.15	7.61	7.61	2.34	7.35	7.35	2.54	6.81	6.81	2.76	6.37	6.37	3.04
	22°C	27°C	8.70	4.47	2.02	8.39	4.37	2.18	8.08	4.25	2.37	7.76	4.14	2.57	7.13	3.86	2.78	6.60	3.64	3.07
		30°C	8.71	5.49	2.02	8.40	5.37	2.18	8.09	5.25	2.37	7.77	5.13	2.57	7.14	4.80	2.78	6.61	4.56	3.07
		33°C	8.73	6.43	2.02	8.42	6.30	2.19	8.11	6.18	2.37	7.80	6.04	2.57	7.17	5.67	2.79	6.65	5.38	3.07
		36°C	8.78	7.27	2.02	8.50	7.13	2.19	8.20	6.98	2.38	7.90	6.82	2.58	7.29	6.38	2.80	6.80	6.02	3.09
600	16°C	21°C	7.45	5.04	1.96	7.18	4.91	2.12	6.91	4.78	2.30	6.62	4.64	2.49	6.07	4.33	2.70	5.60	4.07	2.98
		24°C	7.49	6.12	1.97	7.22	5.97	2.13	6.95	5.83	2.30	6.67	5.67	2.50	6.12	5.30	2.71	5.66	4.99	2.98
		27°C	7.61	7.01	1.97	7.37	6.83	2.13	7.12	6.84	2.31	6.86	6.43	2.51	6.34	5.96	2.72	5.91	5.56	3.01
		30°C	7.99	7.99	1.99	7.76	7.76	2.15	7.52	7.52	2.34	7.27	7.27	2.54	6.74	6.74	2.76	6.29	6.29	3.04
	19°C	24°C	8.20	4.83	2.00	7.91	4.71	2.16	7.61	4.59	2.34	7.30	4.47	2.54	6.70	4.16	2.75	6.18	3.93	3.03
		27°C	8.23	5.59	2.00	7.93	5.46	2.16	7.63	5.33	2.34	7.33	5.20	2.54	6.73	4.87	2.75	6.22	4.60	3.04
		30°C	8.30	6.88	2.00	8.00	6.73	2.17	7.72	6.57	2.35	7.42	6.41	2.55	6.83	5.99	2.76	6.34	5.64	3.05
		33°C	8.48	8.48	2.01	8.23	8.23	2.18	7.97	7.97	2.36	7.71	7.71	2.57	7.14	7.14	2.79	6.68	6.68	3.08
	22°C	27°C	9.00	4.72	2.03	8.68	4.62	2.20	8.36	4.51	2.39	8.02	4.39	2.59	7.37	4.09	2.81	6.81	3.87	3.09
		30°C	9.02	5.83	2.03	8.70	5.72	2.20	8.37	5.59	2.39	8.04	5.46	2.59	7.38	5.12	2.81	6.83	4.85	3.09
		33°C	9.05	6.83	2.04	8.74	6.71	2.21	8.42	6.57	2.39	8.09	6.42	2.59	7.44	6.02	2.81	6.89	5.71	3.10
		36°C	9.13	7.71	2.04	8.85	7.57	2.21	8.54	7.40	2.40	8.23	7.22	2.60	7.61	6.73	2.83	7.10	6.34	3.12
680	16°C	21°C	7.45	5.08	1.98	7.19	4.96	2.13	6.93	4.84	2.31	6.66	4.71	2.51	6.12	4.39	2.73	5.65	4.13	3.04
		24°C	7.48	6.21	1.98	7.21	6.08	2.14	6.95	5.94	2.31	6.68	5.80	2.51	6.14	5.43	2.74	5.69	5.12	3.04
		27°C	7.60	7.12	1.99	7.37	6.94	2.14	7.13	6.76	2.32	6.89	6.56	2.52	6.39	6.20	2.75	5.97	5.85	3.06
		30°C	8.01	8.01	2.01	7.79	7.79	2.16	7.56	7.56	2.34	7.33	7.33	2.55	6.80	6.80	2.78	6.36	6.36	3.09
	19°C	24°C	8.20	4.87	2.02	7.92	4.75	2.17	7.63	4.64	2.35	7.34	4.52	2.55	6.75	4.22	2.78	6.25	3.99	3.08
		27°C	8.22	5.65	2.02	7.94	5.53	2.17	7.66	5.41	2.35	7.36	5.29	2.55	6.77	4.96	2.78	6.27	4.71	3.08
		30°C	8.26	7.02	2.02	7.99	6.87	2.17	7.72	6.72	2.35	7.44	6.56	2.56	6.87	6.13	2.78	6.40	5.78	3.09
		33°C	8.49	8.49	2.03	8.24	8.24	2.19	8.01	8.01	2.37	7.77	7.77	2.58	7.22	7.22	2.81	6.77	6.77	3.12
	22°C	27°C	9.01	4.78	2.05	8.70	4.67	2.21	8.40	4.56	2.39	8.08	4.45	2.60	7.44	4.16	2.83	6.90	3.93	3.13
		30°C	9.03	5.91	2.06	8.72	5.79	2.21	8.42	5.67	2.39	8.10	5.54	2.60	7.46	5.20	2.83	6.91	4.95	3.13
		33°C	9.05	6.96	2.06	8.74	6.84	2.21	8.43	6.72	2.40	8.12	6.58	2.60	7.49	6.19	2.83	6.96	5.88	3.14
		36°C	9.14	7.89	2.06	8.85	7.73	2.22	8.56	7.57	2.40	8.29	7.39	2.61	7.67	6.90	2.84	7.18	6.51	3.16

HEATING MODE

ID DB°C	Outdoor WB°C													
	-9		-6		-5		6		12		15		18	
	TC(kW)	SC(kW)	TC(kW)	SC(kW)	TC(kW)	SC(kW)	TC(kW)	SC(kW)	TC(kW)	SC(kW)	TC(kW)	SC(kW)	TC(kW)	SC(kW)
15	3.626	3.626	4.379	4.379	4.63	4.63	7.39	7.39	8.896	8.896	9.649	9.649	10.402	10.402
17	3.574	3.574	4.302	4.302	4.545	4.545	7.21	7.21	8.656	8.656	9.381	9.381	10.106	10.106
19	3.522	3.522	4.226	4.226	4.46	4.46	7.03	7.03	8.415	8.415	9.113	9.113	9.811	9.811
21	3.471	3.471	4.149	4.149	4.376	4.376	6.85	6.85	8.174	8.174	8.845	8.845	9.515	9.515
23	3.427	3.427	4.075	4.075	4.291	4.291	6.658	6.658	7.934	7.934	8.576	8.576	9.219	9.219
25	3.382	3.382	4	4	4.206	4.206	6.467	6.467	7.693	7.693	8.308	8.308	8.923	8.923
27	3.338	3.338	3.926	3.926	4.121	4.121	6.276	6.276	7.452	7.452	8.04	8.04	8.628	8.628
FROST REGION														

Remark:
AFR: Air flow rate (CFM)
EWB: Entering Wet Bulb Temp. (°C)
EDB: Entering Dry Bulb Temp. (°C)
TC: Total Cooling Capacity (kW)
SHC: Sensible Heat Capacity (kW)
PI: Power Input

Notes:
1. Ratings shown are gross capacities which do not include a deduction for indoor fan motor heat.
2.
3. Direct interpolation is permissible. Do not extrapolate.
4. Unit is able to operate at ambient from 0 °C to 46°C without pressure trip.

ACK28ER / ALC28CR
COOLING MODE

AFR (CFM)	EWB	EDB	Outdoor temperature																	
			19°C			25°C			30°C			35°C			40°C			46°C		
			TC	SHC	PI	TC	SHC	PI	TC	SHC	PI	TC	SHC	PI	TC	SHC	PI	TC	SHC	PI
530	16°C	21°C	7.46	5.42	2.07	7.20	5.28	2.24	6.93	5.14	2.42	6.65	4.99	2.62	6.11	4.64	2.85	5.64	4.37	3.14
		24°C	7.47	6.49	2.07	7.21	6.34	2.24	6.94	6.19	2.42	6.66	6.04	2.63	6.12	5.64	2.85	5.66	5.32	3.14
		27°C	7.53	7.36	2.07	7.28	7.19	2.24	7.02	7.02	2.43	6.76	6.76	2.63	6.24	6.24	2.86	5.80	5.80	3.15
		30°C	7.76	7.76	2.08	7.54	7.54	2.25	7.31	7.31	2.44	7.07	7.07	2.65	6.56	6.56	2.88	6.13	6.13	3.18
	19°C	24°C	8.23	5.06	2.10	7.94	4.93	2.27	7.65	4.80	2.46	7.35	4.66	2.67	6.75	4.34	2.90	6.24	4.09	3.19
		27°C	8.23	5.79	2.10	7.94	5.66	2.27	7.65	5.53	2.46	7.35	5.39	2.67	6.76	5.05	2.90	6.25	4.78	3.19
		30°C	8.25	7.14	2.10	7.96	6.99	2.27	7.68	6.84	2.46	7.39	6.67	2.67	6.80	6.24	2.90	6.31	5.90	3.20
		33°C	8.35	8.35	2.11	8.07	8.07	2.28	7.81	7.81	2.47	7.55	7.55	2.68	6.98	6.98	2.92	6.53	6.53	3.22
	22°C	27°C	9.05	4.95	2.14	8.74	4.83	2.32	8.42	4.71	2.51	8.09	4.58	2.72	7.44	4.27	2.95	6.89	4.02	3.25
		30°C	9.06	6.03	2.14	8.74	5.91	2.32	8.42	5.77	2.51	8.09	5.63	2.72	7.44	5.27	2.95	6.89	5.00	3.25
		33°C	9.06	7.05	2.14	8.75	6.91	2.32	8.43	6.78	2.51	8.10	6.64	2.72	7.45	6.23	2.96	6.91	5.92	3.26
		36°C	9.09	7.99	2.14	8.79	7.83	2.32	8.48	7.67	2.51	8.18	7.50	2.73	7.54	7.03	2.96	7.01	6.67	3.27
620	16°C	21°C	7.76	5.65	2.09	7.48	5.51	2.26	7.20	5.36	2.44	6.90	5.21	2.65	6.54	4.85	2.87	5.84	4.56	3.17
		24°C	7.79	6.86	2.09	7.51	6.70	2.26	7.23	6.54	2.44	6.93	6.37	2.65	6.37	5.95	2.87	5.89	5.61	3.17
		27°C	7.88	7.79	2.09	7.62	7.61	2.26	7.35	7.35	2.45	7.09	7.09	2.66	6.54	6.54	2.89	6.10	6.10	3.19
		30°C	8.21	8.21	2.11	7.97	7.97	2.28	7.73	7.73	2.47	7.48	7.48	2.69	6.93	6.93	2.92	6.48	6.48	3.22
	19°C	24°C	8.55	5.35	2.12	8.25	5.21	2.29	7.94	5.08	2.49	7.62	4.94	2.69	7.00	4.60	2.92	6.46	4.34	3.22
		27°C	8.57	6.16	2.12	8.26	6.02	2.29	7.95	5.89	2.49	7.63	5.75	2.70	7.01	5.37	2.92	6.48	5.09	3.22
		30°C	8.61	7.60	2.12	8.31	7.43	2.30	8.01	7.27	2.49	7.70	7.09	2.70	7.09	6.63	2.93	6.58	6.26	3.23
		33°C	8.75	8.75	2.13	8.48	8.48	2.31	8.21	8.21	2.50	7.94	7.94	2.72	7.36	7.36	2.95	6.88	6.88	3.26
	22°C	27°C	9.40	5.23	2.16	9.07	5.11	2.34	8.73	4.98	2.53	8.38	4.85	2.75	7.70	4.52	2.98	7.12	4.27	3.28
		30°C	9.41	6.42	2.16	9.08	6.29	2.34	8.74	6.15	2.54	8.39	6.01	2.75	7.71	5.63	2.98	7.13	5.34	3.28
		33°C	9.42	7.53	2.16	9.10	7.38	2.34	8.76	7.23	2.54	8.42	7.08	2.75	7.74	6.64	2.99	7.18	6.30	3.29
		36°C	9.48	8.51	2.16	9.18	8.35	2.35	8.86	8.17	2.54	8.53	7.98	2.76	7.87	7.47	3.00	7.34	7.05	3.30
725	16°C	21°C	8.05	5.90	2.10	7.76	5.75	2.27	7.46	5.60	2.46	7.15	5.44	2.67	6.56	5.07	2.89	6.04	4.77	3.19
		24°C	8.09	7.17	2.10	7.80	7.00	2.28	7.51	6.83	2.47	7.20	6.65	2.67	6.61	6.20	2.90	6.11	5.85	3.20
		27°C	8.22	8.21	2.11	7.95	7.95	2.28	7.69	7.69	2.48	7.41	7.41	2.69	6.85	6.85	2.92	6.38	6.38	3.22
		30°C	8.63	8.63	2.13	8.38	8.38	2.31	8.12	8.12	2.50	7.86	7.86	2.72	7.27	7.27	2.95	6.79	6.79	3.26
	19°C	24°C	8.86	5.66	2.14	8.54	5.52	2.31	8.22	5.38	2.51	7.88	5.23	2.72	7.23	4.88	2.95	6.68	4.60	3.25
		27°C	8.89	6.55	2.14	8.57	6.40	2.31	8.25	6.25	2.51	7.91	6.09	2.72	7.27	5.70	2.95	6.71	5.39	3.25
		30°C	8.96	8.05	2.14	8.64	7.88	2.32	8.33	7.20	2.51	8.01	7.51	2.73	7.38	7.01	2.96	6.85	6.61	3.26
		33°C	9.15	9.15	2.15	8.89	8.89	2.33	8.61	8.61	2.53	8.33	8.33	2.75	7.72	7.72	2.99	7.22	7.22	3.30
	22°C	27°C	9.72	5.53	2.18	9.38	5.41	2.36	9.02	5.28	2.56	8.66	5.14	2.77	7.96	4.79	3.01	7.35	4.53	3.31
		30°C	9.74	6.82	2.18	9.40	6.69	2.36	9.04	6.55	2.56	8.68	6.40	2.77	7.97	5.99	3.01	7.38	5.68	3.31
		33°C	9.78	8.00	2.18	9.44	7.86	2.36	9.09	7.69	2.56	8.73	7.52	2.78	8.04	7.05	3.01	7.44	6.69	3.32
		36°C	9.86	9.03	2.19	9.55	8.86	2.37	9.22	8.67	2.57	8.89	8.45	2.79	8.22	7.89	3.03	7.66	7.42	3.34
860	16°C	21°C	8.05	5.95	2.12	7.76	5.81	2.28	7.48	5.66	2.47	7.19	5.51	2.69	6.60	5.14	2.93	6.10	4.84	3.25
		24°C	8.08	7.27	2.12	7.79	7.12	2.29	7.51	6.96	2.47	7.22	6.80	2.69	6.64	6.36	2.93	6.15	6.00	3.26
		27°C	8.21	8.21	2.13	7.96	7.96	2.29	7.70	7.70	2.48	7.45	7.45	2.70	6.90	6.90	2.95	6.45	6.45	3.28
		30°C	8.65	8.65	2.15	8.41	8.41	2.32	8.17	8.17	2.51	7.91	7.91	2.73	7.34	7.34	2.98	6.87	6.87	3.31
	19°C	24°C	8.86	5.71	2.16	8.55	5.57	2.32	8.25	5.44	2.51	7.93	5.30	2.73	7.29	4.95	2.97	6.75	4.68	3.30
		27°C	8.88	6.62	2.16	8.57	6.48	2.33	8.27	6.34	2.52	7.95	6.20	2.73	7.31	5.81	2.98	6.77	5.52	3.30
		30°C	8.93	8.22	2.16	8.63	8.04	2.33	8.34	7.87	2.52	8.04	7.69	2.74	7.42	7.18	2.98	6.91	6.77	3.31
		33°C	9.17	9.17	2.17	8.90	8.90	2.34	8.65	8.65	2.54	8.39	8.39	2.76	7.80	7.80	3.01	7.31	7.31	3.34
	22°C	27°C	9.74	5.60	2.20	9.40	5.47	2.37	9.07	5.34	2.56	8.73	5.21	2.78	8.04	4.87	3.03	7.45	4.61	3.36
		30°C	9.76	6.92	2.20	9.42	6.78	2.37	9.09	6.64	2.56	8.75	6.49	2.78	8.05	6.09	3.03	7.47	5.79	3.36
		33°C	9.78	8.15	2.20	9.44	8.01	2.37	9.11	7.87	2.57	8.77	7.71	2.78	8.09	7.25	3.03	7.51	6.88	3.36
		36°C	9.87	9.24	2.21	9.56	9.06	2.38	9.25	8.87	2.57	8.95	8.65	2.80	8.29	8.09	3.04	7.76	7.63	3.38

HEATING MODE

ID DB°C	Outdoor WB°C													
	-9		-6		-5		6		12		15		18	
	TC(kW)	SC(kW)	TC(kW)	SC(kW)	TC(kW)	SC(kW)	TC(kW)	SC(kW)	TC(kW)	SC(kW)	TC(kW)	SC(kW)	TC(kW)	SC(kW)
16	3.637	3.637	4.54	4.54	4.841	4.841	8.15	8.15	9.955	9.955	10.858	10.858	11.76	11.76
17	3.549	3.549	4.449	4.449	4.749	4.749	7.913	7.913	9.684	9.684	10.555	10.555	11.426	11.426
19	3.461	3.461	4.358	4.358	4.657	4.657	7.677	7.677	9.413	9.413	10.252	10.252	11.091	11.091
21	3.373	3.373	4.267	4.267	4.565	4.565	7.44	7.44	9.142	9.142	9.949	9.949	10.757	10.757
23	3.363	3.363	4.195	4.195	4.473	4.473	7.262	7.262	8.87	8.87	9.646	9.646	10.422	10.422
25	3.354	3.354	4.124	4.124	4.38	4.38	7.084	7.084	8.599	8.599	9.344	9.344	10.088	10.088
27	3.344	3.344	4.052	4.052	4.288	4.288	6.907	6.907	8.328	8.328	9.041	9.041	9.754	9.754
FROST REGION														

Remark:
AFR: Air flow rate (CFM)
EWB: Entering Wet Bulb Temp. (°C)
EDB: Entering Dry Bulb Temp. (°C)
TC: Total Cooling Capacity (kW)
SHC: Sensible Heat Capacity (kW)
PI: Power Input

Notes:
1. Ratings shown are gross capacities which do not include a deduction for indoor fan motor heat.
2.
3. Direct interpolation is permissible. Do not extrapolate.
4. Unit is able to operate at ambient from 0 °C to 46°C without pressure trip.

00061210AA2828

ACK40ER / ALC35DR
COOLING MODE

AFR (CFM)	EWB	EDB	Outdoor temperature																	
			19°C			25°C			30°C			35°C			40°C			46°C		
			TC	SHC	PI	TC	SHC	PI	TC	SHC	PI	TC	SHC	PI	TC	SHC	PI	TC	SHC	PI
620	16°C	21°C	9.67	6.93	2.29	9.33	6.75	2.47	8.98	6.57	2.68	8.62	6.38	2.90	7.92	5.94	3.15	7.31	5.59	3.47
		24°C	9.68	8.30	2.29	9.34	8.11	2.47	8.99	7.92	2.68	8.63	7.73	2.91	7.93	7.22	3.15	7.34	6.81	3.48
		27°C	9.76	9.41	2.29	9.44	9.20	2.48	9.10	8.98	2.68	8.76	8.75	2.91	8.08	8.08	3.16	7.52	7.52	3.49
		30°C	10.06	10.06	2.30	9.77	9.77	2.49	9.48	9.48	2.70	9.17	9.17	2.93	8.50	8.50	3.19	7.95	7.95	3.52
	19°C	24°C	10.67	6.47	2.32	10.29	6.31	2.51	9.92	6.14	2.72	9.52	5.97	2.96	8.75	5.56	3.21	8.09	5.23	3.53
		27°C	10.67	7.41	2.32	10.30	7.24	2.52	9.92	7.07	2.73	9.53	6.90	2.96	8.76	6.46	3.21	8.10	6.12	3.53
		30°C	10.69	9.14	2.32	10.32	8.94	2.52	9.96	8.75	2.73	9.58	8.54	2.96	8.82	7.98	3.21	8.18	7.55	3.54
		33°C	10.82	10.82	2.33	10.47	10.47	2.52	10.13	10.13	2.74	9.78	9.78	2.97	9.05	9.05	3.23	8.46	8.46	3.56
	22°C	27°C	11.74	6.34	2.37	11.33	6.18	2.56	10.92	6.03	2.78	10.49	5.86	3.01	9.65	5.46	3.27	8.93	5.15	3.60
		30°C	11.74	7.72	2.37	11.33	7.56	2.56	10.92	7.38	2.78	10.49	7.21	3.01	9.65	6.75	3.27	8.93	6.40	3.60
		33°C	11.75	9.02	2.37	11.34	8.85	2.56	10.93	8.67	2.78	10.50	8.49	3.01	9.66	7.97	3.27	8.95	7.57	3.60
		36°C	11.78	10.23	2.37	11.39	10.02	2.57	11.00	9.81	2.78	10.60	9.60	3.02	9.77	9.00	3.28	9.09	8.53	3.61
740	16°C	21°C	10.06	7.23	2.31	9.70	7.05	2.50	9.33	6.86	2.70	8.95	6.66	2.93	8.21	6.21	3.18	7.58	5.84	3.50
		24°C	10.09	8.78	2.31	9.73	8.57	2.50	9.37	8.37	2.70	8.99	8.16	2.93	8.26	7.61	3.18	7.63	7.18	3.51
		27°C	10.21	9.97	2.31	9.87	9.74	2.50	9.53	9.49	2.71	9.19	9.19	2.94	8.48	8.48	3.20	7.90	7.90	3.53
		30°C	10.64	10.64	2.33	10.33	10.33	2.52	10.02	10.02	2.74	9.69	9.69	2.97	8.98	8.98	3.23	8.39	8.39	3.56
	19°C	24°C	11.09	6.84	2.35	10.69	6.67	2.54	10.29	6.50	2.75	9.88	6.32	2.98	9.07	5.89	3.23	8.38	5.55	3.56
		27°C	11.11	7.88	2.35	10.71	7.71	2.54	10.31	7.53	2.75	9.90	7.35	2.98	9.09	6.87	3.24	8.41	6.51	3.57
		30°C	11.16	9.72	2.35	10.77	9.51	2.54	10.38	9.30	2.76	9.99	9.07	2.99	9.20	8.48	3.24	8.53	8.01	3.58
		33°C	11.34	11.34	2.36	11.00	11.00	2.55	10.65	10.65	2.77	10.30	10.30	3.01	9.54	9.54	3.27	8.92	8.92	3.61
	22°C	27°C	12.18	6.70	2.39	11.75	6.54	2.59	11.32	6.38	2.80	10.87	6.20	3.04	9.99	5.79	3.30	9.24	5.46	3.63
		30°C	12.20	8.22	2.39	11.77	8.05	2.59	11.33	7.87	2.81	10.88	7.69	3.04	10.00	7.20	3.30	9.25	6.83	3.63
		33°C	12.22	9.63	2.39	11.79	9.45	2.59	11.36	9.26	2.81	10.91	9.06	3.05	10.04	8.50	3.30	9.31	8.07	3.64
		36°C	12.29	10.89	2.39	11.90	10.68	2.60	11.48	10.46	2.81	11.06	10.22	3.05	10.21	9.56	3.31	9.52	9.02	3.66
860	16°C	21°C	10.44	7.55	2.33	10.05	7.35	2.52	9.67	7.16	2.72	9.27	6.96	2.95	8.50	6.48	3.20	7.83	6.10	3.53
		24°C	10.49	9.17	2.33	10.11	8.95	2.52	9.73	8.73	2.73	9.34	8.50	2.96	8.57	7.94	3.21	7.92	7.48	3.54
		27°C	10.66	10.51	2.34	10.31	10.24	2.53	9.96	9.95	2.74	9.61	9.61	2.97	8.88	8.88	3.23	8.27	8.27	3.56
		30°C	11.19	11.19	2.36	10.87	10.87	2.55	10.53	10.53	2.77	10.18	10.18	3.01	9.43	9.43	3.27	8.81	8.81	3.60
	19°C	24°C	11.49	7.24	2.37	11.07	7.06	2.56	10.65	6.88	2.77	10.22	6.69	3.01	9.38	6.24	3.26	8.66	5.88	3.59
		27°C	11.52	8.37	2.37	11.11	8.18	2.56	10.69	7.99	2.78	10.26	7.80	3.01	9.42	7.29	3.26	8.70	6.90	3.60
		30°C	11.62	10.31	2.37	11.20	10.08	2.57	10.80	9.85	2.78	10.39	9.60	3.02	9.57	8.97	3.27	8.88	8.45	3.61
		33°C	11.87	11.87	2.38	11.52	11.52	2.58	11.17	11.17	2.80	10.80	10.80	3.04	10.00	10.00	3.31	9.35	9.35	3.65
	22°C	27°C	12.60	7.08	2.41	12.16	6.93	2.61	11.70	6.75	2.83	11.23	6.57	3.07	10.31	6.13	3.33	9.53	5.79	3.66
		30°C	12.63	8.73	2.41	12.18	8.56	2.61	11.72	8.38	2.83	11.25	8.19	3.07	10.34	7.67	3.33	9.56	7.27	3.67
		33°C	12.67	10.23	2.41	12.24	10.05	2.61	11.79	9.84	2.83	11.32	9.62	3.07	10.42	9.02	3.33	9.65	8.56	3.67
		36°C	12.79	11.55	2.42	12.39	11.34	2.62	11.96	11.09	2.84	11.53	10.82	3.09	10.65	10.09	3.35	9.94	9.50	3.70
1030	16°C	21°C	10.43	7.61	2.35	10.07	7.43	2.53	9.70	7.25	2.74	9.32	7.06	2.97	8.56	6.58	3.24	7.91	6.20	3.60
		24°C	10.47	9.31	2.35	10.10	9.11	2.53	9.73	8.91	2.74	9.36	8.70	2.97	8.60	8.14	3.24	7.97	7.68	3.60
		27°C	10.64	10.64	2.36	10.32	10.32	2.54	9.99	9.99	2.75	9.65	9.65	2.99	8.94	8.94	3.26	8.36	8.36	3.63
		30°C	11.22	11.22	2.38	10.90	10.90	2.56	10.59	10.59	2.78	10.26	10.26	3.02	9.52	9.52	3.29	8.91	8.91	3.66
	19°C	24°C	11.48	7.30	2.39	11.09	7.13	2.57	10.69	6.96	2.78	10.28	6.78	3.02	9.45	6.33	3.29	8.75	5.98	3.65
		27°C	11.52	8.47	2.39	11.11	8.29	2.57	10.72	8.12	2.78	10.31	7.94	3.02	9.48	7.44	3.29	8.77	7.06	3.66
		30°C	11.57	10.52	2.39	11.19	10.29	2.58	10.81	10.07	2.79	10.42	9.83	3.03	9.62	9.19	3.30	8.96	8.66	3.67
		33°C	11.88	11.88	2.40	11.54	11.54	2.59	11.22	11.22	2.81	10.88	10.88	3.05	10.11	10.11	3.33	9.47	9.47	3.70
	22°C	27°C	12.62	7.16	2.43	12.19	6.99	2.62	11.76	6.83	2.84	11.31	6.66	3.08	10.42	6.23	3.35	9.66	5.89	3.71
		30°C	12.65	8.85	2.44	12.21	8.67	2.62	11.78	8.49	2.84	11.34	8.31	3.08	10.44	7.80	3.35	9.68	7.41	3.72
		33°C	12.68	10.43	2.44	12.24	10.25	2.62	11.81	10.06	2.84	11.37	9.87	3.08	10.48	9.27	3.35	9.74	8.81	3.72
		36°C	12.80	11.82	2.44	12.39	11.59	2.63	11.99	11.35	2.85	11.60	11.07	3.09	10.75	10.35	3.37	10.05	9.76	3.74

HEATING MODE

ID DB°C	Outdoor WB°C													
	-9		-6		-5		6		12		15		18	
	TC(kW)	SC(kW)	TC(kW)	SC(kW)	TC(kW)	SC(kW)	TC(kW)	SC(kW)	TC(kW)	SC(kW)	TC(kW)	SC(kW)	TC(kW)	SC(kW)
15	4.775	4.775	5.847	5.847	6.205	6.205	10.136	10.136	12.28	12.28	13.353	13.353	14.425	14.425
17	4.687	4.687	5.739	5.739	6.089	6.089	10.165	10.165	11.947	11.947	12.981	12.981	14.015	14.015
19	4.599	4.599	5.63	5.63	5.974	5.974	10.195	10.195	11.614	11.614	12.609	12.609	13.604	13.604
21	4.511	4.511	5.522	5.522	5.858	5.858	10.224	10.224	11.281	11.281	12.237	12.237	13.194	13.194
23	4.472	4.472	5.425	5.425	5.743	5.743	9.667	9.667	10.947	10.947	11.866	11.866	12.784	12.784
25	4.433	4.433	5.329	5.329	5.627	5.627	9.11	9.11	10.614	10.614	11.494	11.494	12.374	12.374
27	4.394	4.394	5.232	5.232	5.512	5.512	8.553	8.553	10.281	10.281	11.122	11.122	11.964	11.964

FROST REGION

Remark:
AFR: Air flow rate (CFM)
EWB: Entering Wet Bulb Temp. (°C)
EDB: Entering Dry Bulb Temp. (°C)
TC: Total Cooling Capacity (kW)
SHC: Sensible Heat Capacity (kW)
PI: Power Input

Notes:
1. Ratings shown are gross capacities which do not include a deduction for indoor fan motor heat.
2. 10.26
3. Direct interpolation is permissible. Do not extrapolate.
4. Unit is able to operate at ambient from 0 °C to 46°C without pressure trip.

00061210AB4035

ACK40ER / ALC40DR
COOLING MODE

AFR (CFM)	EWB	EDB	Outdoor temperature																		
			19°C			25°C			30°C			35°C			40°C			46°C			
			TC	SHC	PI	TC	SHC	PI	TC	SHC	PI	TC	SHC	PI	TC	SHC	PI	TC	SHC	PI	
620	16°C	21°C	10.94	7.53	2.74	10.55	7.33	2.96	10.16	7.14	3.20	9.75	6.93	3.47	8.95	6.45	3.77	8.27	6.07	4.15	
		24°C	10.95	9.02	2.74	10.56	8.81	2.96	10.17	8.61	3.20	9.76	8.39	3.48	8.97	7.84	3.77	8.30	7.40	4.16	
		27°C	11.04	10.22	2.74	10.67	9.99	2.96	10.30	9.76	3.21	9.91	9.51	3.48	9.14	8.85	3.78	8.51	8.31	4.17	
	19°C	30°C	11.38	11.38	2.75	11.05	11.05	2.98	10.72	10.72	3.23	10.37	10.37	3.51	9.61	9.61	3.81	8.99	8.99	4.21	
		24°C	12.06	7.03	2.78	11.64	6.85	3.01	11.21	6.67	3.26	10.77	6.48	3.53	9.90	6.04	3.83	9.15	5.69	4.23	
		27°C	12.07	8.04	2.78	11.65	7.86	3.01	11.22	7.68	3.26	10.78	7.50	3.54	9.91	7.01	3.84	9.16	6.64	4.23	
	22°C	30°C	12.09	9.93	2.78	11.67	9.72	3.01	11.26	9.50	3.26	10.83	9.27	3.54	9.97	8.67	3.84	9.25	8.20	4.23	
		33°C	12.23	12.23	2.79	11.83	11.83	3.02	11.45	11.45	3.27	11.06	11.06	3.55	10.23	10.23	3.86	9.57	9.57	4.26	
		27°C	13.27	6.88	2.83	12.81	6.72	3.06	12.34	6.55	3.32	11.86	6.37	3.60	10.91	5.93	3.91	10.10	5.59	4.31	
	740	16°C	30°C	13.28	8.39	2.83	12.82	8.21	3.06	12.35	8.02	3.32	11.86	7.83	3.60	10.91	7.33	3.91	10.10	6.95	4.31
			33°C	13.28	9.79	2.83	12.82	9.61	3.07	12.36	9.42	3.32	11.87	9.22	3.60	10.93	8.66	3.91	10.13	8.22	4.31
			36°C	13.33	11.11	2.83	12.89	10.88	3.07	12.44	10.66	3.33	11.99	10.42	3.61	11.05	9.77	3.92	10.28	9.27	4.32
19°C		21°C	11.38	7.85	2.76	10.97	7.65	2.98	10.55	7.45	3.23	10.12	7.24	3.50	9.29	6.74	3.80	8.57	6.34	4.19	
		24°C	11.41	9.53	2.76	11.00	9.31	2.99	10.59	9.09	3.24	10.16	8.86	3.51	9.34	8.27	3.81	8.63	7.80	4.19	
		27°C	11.55	10.83	2.77	11.16	10.58	2.99	10.78	10.30	3.24	10.39	10.00	3.52	9.59	9.29	3.82	8.94	8.69	4.22	
22°C		30°C	12.03	12.03	2.79	11.68	11.68	3.02	11.33	11.33	3.27	10.96	10.96	3.55	10.16	10.16	3.86	9.49	9.49	4.26	
		24°C	12.54	7.43	2.80	12.09	7.24	3.04	11.64	7.06	3.29	11.17	6.86	3.57	10.26	6.39	3.87	9.48	6.03	4.26	
		27°C	12.56	8.56	2.81	12.11	8.37	3.04	11.66	8.18	3.29	11.19	7.99	3.57	10.28	7.47	3.87	9.50	7.07	4.27	
860		16°C	30°C	12.62	10.56	2.81	12.18	10.33	3.04	11.74	10.10	3.30	11.29	9.85	3.58	10.40	9.21	3.88	9.65	8.70	4.28
			33°C	12.83	12.83	2.82	12.44	12.44	3.05	12.04	12.04	3.31	11.64	11.64	3.60	10.78	10.78	3.91	10.08	10.08	4.31
			27°C	13.77	7.28	2.86	13.29	7.10	3.09	12.80	6.93	3.35	12.29	6.74	3.64	11.29	6.28	3.95	10.44	5.93	4.35
	19°C	30°C	13.79	8.93	2.86	13.31	8.74	3.10	12.81	8.55	3.36	12.30	8.35	3.64	11.31	7.82	3.95	10.46	7.42	4.35	
		33°C	13.82	10.46	2.86	13.34	10.26	3.10	12.85	10.05	3.36	12.34	9.84	3.64	11.35	9.23	3.95	10.52	8.76	4.35	
		36°C	13.90	11.83	2.86	13.45	11.60	3.10	12.98	11.36	3.37	12.51	11.10	3.65	11.54	10.38	3.96	10.76	9.80	4.37	
	22°C	21°C	11.80	8.20	2.78	11.37	7.99	3.01	10.93	7.78	3.26	10.48	7.56	3.53	9.61	7.04	3.83	8.86	6.63	4.22	
		24°C	11.86	9.96	2.79	11.43	9.72	3.01	11.00	9.49	3.26	10.56	9.24	3.54	9.70	8.62	3.84	8.96	8.13	4.23	
		27°C	12.05	11.41	2.79	11.66	11.12	3.02	11.27	10.81	3.28	10.86	10.47	3.56	10.04	9.70	3.86	9.35	9.06	4.26	
	1030	16°C	30°C	12.66	12.66	2.82	12.29	12.29	3.05	11.91	11.91	3.31	11.52	11.52	3.60	10.66	10.66	3.91	9.96	9.96	4.31
			24°C	12.99	7.86	2.83	12.52	7.67	3.06	12.04	7.47	3.32	11.55	7.27	3.60	10.60	6.78	3.90	9.79	6.39	4.30
			27°C	13.03	9.10	2.83	12.56	8.89	3.06	12.09	8.68	3.32	11.60	8.47	3.60	10.65	7.92	3.90	9.84	7.49	4.30
19°C		30°C	13.14	11.19	2.84	12.67	10.95	3.07	12.22	10.70	3.33	11.75	10.43	3.61	10.82	9.74	3.92	10.04	9.18	4.32	
		33°C	13.42	13.42	2.85	13.03	13.03	3.09	12.63	12.63	3.35	12.21	12.21	3.64	11.31	11.31	3.95	10.58	10.58	4.36	
		27°C	14.25	7.69	2.88	13.75	7.52	3.12	13.23	7.33	3.38	12.70	7.14	3.67	11.66	6.66	3.98	10.78	6.29	4.38	
22°C		30°C	14.28	9.48	2.88	13.77	9.30	3.12	13.26	9.10	3.39	12.72	8.89	3.67	11.69	8.33	3.98	10.81	7.89	4.38	
		33°C	14.33	11.11	2.89	13.84	10.92	3.13	13.33	10.69	3.39	12.80	10.45	3.68	11.78	9.80	3.99	10.91	9.30	4.39	
		36°C	14.46	12.55	2.89	14.01	12.32	3.14	13.52	12.05	3.40	13.04	11.75	3.69	12.05	10.96	4.01	11.24	10.32	4.42	
1030		16°C	21°C	11.80	8.27	2.81	11.38	8.07	3.02	10.97	7.87	3.27	10.54	7.66	3.55	9.68	7.14	3.87	8.94	6.73	4.31
			24°C	11.84	10.11	2.81	11.42	9.89	3.03	11.01	9.68	3.27	10.58	9.45	3.56	9.73	8.84	3.88	9.01	8.34	4.31
			27°C	12.04	11.59	2.82	11.67	11.30	3.04	11.29	11.01	3.29	10.92	10.68	3.57	10.11	10.09	3.90	9.45	9.45	4.34
	19°C	30°C	12.68	12.68	2.85	12.33	12.33	3.07	11.97	11.97	3.32	11.60	11.60	3.61	10.76	10.76	3.94	10.07	10.07	4.38	
		24°C	12.99	7.93	2.86	12.54	7.74	3.08	12.09	7.55	3.33	11.62	7.36	3.61	10.69	6.88	3.94	9.89	6.50	4.37	
		27°C	13.02	9.20	2.86	12.57	9.00	3.08	12.12	8.81	3.33	11.65	8.62	3.62	10.72	8.08	3.94	9.92	7.67	4.37	
	22°C	30°C	13.09	11.42	2.86	12.65	11.18	3.08	12.22	10.94	3.33	11.78	10.68	3.62	10.88	9.98	3.95	10.13	9.41	4.39	
		33°C	13.44	13.44	2.88	13.05	13.05	3.10	12.69	12.69	3.36	12.30	12.30	3.65	11.43	11.43	3.98	10.71	10.71	4.43	
		27°C	14.27	7.78	2.91	13.78	7.60	3.14	13.30	7.42	3.39	12.79	7.24	3.68	11.78	6.76	4.00	10.92	6.40	4.44	
	22°C	30°C	14.30	9.62	2.91	13.81	9.42	3.14	13.32	9.23	3.39	12.82	9.03	3.68	11.81	8.47	4.01	10.94	8.05	4.44	
		33°C	14.34	11.33	2.91	13.85	11.13	3.14	13.35	10.93	3.39	12.86	10.72	3.68	11.85	10.07	4.01	11.02	9.57	4.45	
		36°C	14.47	12.84	2.92	14.01	12.59	3.15	13.56	12.32	3.41	13.12	12.02	3.70	12.15	11.24	4.03	11.37	10.61	4.48	

HEATING MODE

ID DB°C	Outdoor WB°C													
	-9		-6		-5		6		12		15		18	
	TC(kW)	SC(kW)	TC(kW)	SC(kW)	TC(kW)	SC(kW)	TC(kW)	SC(kW)	TC(kW)	SC(kW)	TC(kW)	SC(kW)	TC(kW)	SC(kW)
15	5.47	5.47	6.441	6.441	6.764	6.764	10.325	10.325	12.267	12.267	13.238	13.238	14.209	14.209
17	5.432	5.432	6.342	6.342	6.645	6.645	10.695	10.695	11.937	11.937	12.871	12.871	13.805	13.805
19	5.395	5.395	6.242	6.242	6.525	6.525	11.064	11.064	11.607	11.607	12.504	12.504	13.401	13.401
21	5.358	5.358	6.143	6.143	6.405	6.405	11.434	11.434	11.278	11.278	12.138	12.138	12.997	12.997
23	5.253	5.253	6.027	6.027	6.285	6.285	10.52	10.52	10.948	10.948	11.771	11.771	12.594	12.594
25	5.147	5.147	5.91	5.91	6.165	6.165	9.606	9.606	10.618	10.618	11.404	11.404	12.19	12.19
27	5.041	5.041	5.794	5.794	6.045	6.045	8.692	8.692	10.288	10.288	11.037	11.037	11.786	11.786

FROST REGION

Remark:
AFR: Air flow rate (CFM)
EWB: Entering Wet Bulb Temp. (°C)
EDB: Entering Dry Bulb Temp. (°C)
TC: Total Cooling Capacity (kW)
SHC: Sensible Heat Capacity (kW)
PI: Power Input

Notes:
1. Ratings shown are gross capacities which do not include a deduction for indoor fan motor heat.
2. 11.60
3. Direct interpolation is permissible. Do not extrapolate.
4. Unit is able to operate at ambient from 0 °C to 46°C without pressure trip.

00061210AB4040

ACK40ER / ALC40DR (3 Phase)

COOLING MODE

AFR (CFM)	EWB	EDB	Outdoor temperature																	
			19°C			25°C			30°C			35°C			40°C			46°C		
			TC	SHC	PI	TC	SHC	PI	TC	SHC	PI	TC	SHC	PI	TC	SHC	PI	TC	SHC	PI
620	16°C	21°C	10.94	7.43	2.66	10.55	7.23	2.88	10.16	7.04	3.11	9.75	6.84	3.38	8.95	6.36	3.66	8.27	5.99	4.04
		24°C	10.95	8.89	2.66	10.56	8.69	2.88	10.17	8.49	3.12	9.76	8.28	3.38	8.97	7.73	3.67	8.30	7.29	4.04
		27°C	11.04	10.08	2.66	10.67	9.86	2.88	10.30	9.62	3.12	9.91	9.38	3.39	9.14	8.73	3.68	8.51	8.19	4.06
		30°C	11.38	11.38	2.68	11.05	11.05	2.90	10.72	10.72	3.14	10.37	10.37	3.41	9.61	9.61	3.71	8.99	8.99	4.09
	19°C	24°C	12.06	6.93	2.70	11.64	6.76	2.92	11.21	6.58	3.17	10.77	6.39	3.44	9.90	5.95	3.73	9.15	5.61	4.11
		27°C	12.07	7.93	2.70	11.65	7.76	2.92	11.22	7.58	3.17	10.78	7.39	3.44	9.91	6.92	3.73	9.16	6.55	4.11
		30°C	12.09	9.79	2.70	11.67	9.58	2.93	11.26	9.37	3.17	10.83	9.14	3.44	9.97	8.55	3.73	9.25	8.09	4.12
		33°C	12.23	12.23	2.71	11.83	11.83	2.93	11.45	11.45	3.18	11.06	11.06	3.45	10.23	10.23	3.75	9.57	9.57	4.14
	22°C	27°C	13.27	6.79	2.75	12.81	6.62	2.98	12.34	6.46	3.23	11.86	6.28	3.50	10.91	5.85	3.80	10.10	5.52	4.19
		30°C	13.28	8.27	2.75	12.82	8.10	2.98	12.35	7.91	3.23	11.86	7.72	3.50	10.91	7.23	3.80	10.10	6.86	4.19
		33°C	13.28	9.66	2.75	12.82	9.48	2.98	12.36	9.29	3.23	11.87	9.10	3.50	10.93	8.54	3.80	10.13	8.11	4.19
		36°C	13.33	10.95	2.75	12.89	10.73	2.98	12.44	10.51	3.24	11.99	10.28	3.51	11.05	9.64	3.81	10.28	9.14	4.20
740	16°C	21°C	11.38	7.75	2.68	10.97	7.55	2.90	10.55	7.35	3.14	10.12	7.14	3.41	9.29	6.65	3.70	8.57	6.26	4.07
		24°C	11.41	9.40	2.68	11.00	9.18	2.90	10.59	8.96	3.15	10.16	8.74	3.41	9.34	8.15	3.70	8.63	7.69	4.08
		27°C	11.55	10.68	2.69	11.16	10.43	2.91	10.78	10.16	3.15	10.39	9.86	3.42	9.59	9.16	3.72	8.94	8.57	4.10
		30°C	12.03	12.03	2.71	11.68	11.68	2.93	11.33	11.33	3.18	10.96	10.96	3.46	10.16	10.16	3.75	9.49	9.49	4.15
	19°C	24°C	12.54	7.33	2.73	12.09	7.15	2.95	11.64	6.96	3.20	11.17	6.77	3.47	10.26	6.31	3.76	9.48	5.94	4.14
		27°C	12.56	8.44	2.73	12.11	8.26	2.95	11.66	8.07	3.20	11.19	7.88	3.47	10.28	7.36	3.76	9.50	6.97	4.15
		30°C	12.62	10.41	2.73	12.18	10.19	2.96	11.74	9.96	3.20	11.29	9.72	3.48	10.40	9.09	3.77	9.65	8.58	4.16
		33°C	12.83	12.83	2.74	12.44	12.44	2.97	12.04	12.04	3.22	11.64	11.64	3.50	10.78	10.78	3.80	10.08	10.08	4.19
	22°C	27°C	13.77	7.18	2.78	13.29	7.01	3.01	12.80	6.83	3.26	12.29	6.65	3.54	11.29	6.20	3.84	10.44	5.85	4.22
		30°C	13.79	8.81	2.78	13.31	8.62	3.01	12.81	8.43	3.26	12.30	8.23	3.54	11.31	7.71	3.84	10.46	7.32	4.23
		33°C	13.82	10.32	2.78	13.34	10.12	3.01	12.85	9.92	3.26	12.34	9.70	3.54	11.35	9.10	3.84	10.52	8.64	4.23
		36°C	13.90	11.66	2.78	13.45	11.44	3.02	12.98	11.21	3.27	12.51	10.94	3.55	11.54	10.24	3.85	10.76	9.66	4.25
860	16°C	21°C	11.80	8.08	2.70	11.37	7.88	2.93	10.93	7.67	3.17	10.48	7.46	3.43	9.61	6.95	3.72	8.86	6.54	4.10
		24°C	11.86	9.82	2.71	11.43	9.59	2.93	11.00	9.36	3.17	10.56	9.11	3.44	9.70	8.50	3.73	8.96	8.02	4.11
		27°C	12.05	11.26	2.72	11.66	10.97	2.94	11.27	10.66	3.19	10.86	10.33	3.46	10.04	9.57	3.75	9.35	8.93	4.14
		30°C	12.66	12.66	2.74	12.29	12.29	2.97	11.91	11.91	3.22	11.52	11.52	3.50	10.66	10.66	3.80	9.96	9.96	4.19
	19°C	24°C	12.99	7.75	2.75	12.52	7.56	2.98	12.04	7.37	3.22	11.55	7.17	3.50	10.60	6.68	3.79	9.79	6.30	4.18
		27°C	13.03	8.97	2.75	12.56	8.77	2.98	12.09	8.56	3.23	11.60	8.35	3.50	10.65	7.81	3.80	9.84	7.39	4.18
		30°C	13.14	11.04	2.76	12.67	10.80	2.99	12.22	10.55	3.23	11.75	10.29	3.51	10.82	9.61	3.81	10.04	9.06	4.20
		33°C	13.42	13.42	2.77	13.03	13.03	3.00	12.63	12.63	3.26	12.21	12.21	3.54	11.31	11.31	3.84	10.58	10.58	4.24
	22°C	27°C	14.25	7.59	2.80	13.75	7.42	3.03	13.23	7.23	3.29	12.70	7.04	3.57	11.66	6.57	3.87	10.78	6.21	4.26
		30°C	14.28	9.35	2.80	13.77	9.18	3.04	13.26	8.98	3.29	12.72	8.77	3.57	11.69	8.21	3.87	10.81	7.79	4.26
		33°C	14.33	10.96	2.81	13.84	10.77	3.04	13.33	10.54	3.30	12.80	10.31	3.57	11.78	9.66	3.88	10.91	9.17	4.27
		36°C	14.46	12.38	2.81	14.01	12.15	3.05	13.52	11.88	3.31	13.04	11.59	3.59	12.05	10.81	3.90	11.24	10.18	4.30
1030	16°C	21°C	11.80	8.16	2.73	11.38	7.96	2.94	10.97	7.76	3.18	10.54	7.56	3.46	9.68	7.04	3.77	8.94	6.64	4.19
		24°C	11.84	9.97	2.73	11.42	9.76	2.94	11.01	9.55	3.18	10.58	9.32	3.46	9.73	8.72	3.77	9.01	8.22	4.19
		27°C	12.04	11.44	2.74	11.67	11.15	2.95	11.29	10.86	3.20	10.92	10.53	3.48	10.11	9.95	3.79	9.45	9.39	4.22
		30°C	12.68	12.68	2.77	12.33	12.33	2.98	11.97	11.97	3.23	11.60	11.60	3.51	10.76	10.76	3.83	10.07	10.07	4.26
	19°C	24°C	12.99	7.82	2.78	12.54	7.63	2.99	12.09	7.45	3.23	11.62	7.26	3.51	10.69	6.78	3.83	9.89	6.41	4.25
		27°C	13.02	9.07	2.78	12.57	8.88	2.99	12.12	8.69	3.24	11.65	8.50	3.51	10.72	7.97	3.83	9.92	7.57	4.25
		30°C	13.09	11.27	2.78	12.65	11.03	3.00	12.22	10.79	3.24	11.78	10.54	3.52	10.88	9.85	3.84	10.13	9.28	4.26
		33°C	13.44	13.44	2.80	13.05	13.05	3.02	12.69	12.69	3.27	12.30	12.30	3.55	11.43	11.43	3.87	10.71	10.71	4.30
	22°C	27°C	14.27	7.67	2.83	13.78	7.49	3.05	13.30	7.32	3.30	12.79	7.14	3.58	11.78	6.67	3.89	10.92	6.31	4.32
		30°C	14.30	9.49	2.83	13.81	9.29	3.05	13.32	9.10	3.30	12.82	8.90	3.58	11.81	8.35	3.90	10.94	7.94	4.32
		33°C	14.34	11.18	2.83	13.85	10.98	3.05	13.35	10.78	3.30	12.86	10.57	3.58	11.85	9.93	3.90	11.02	9.44	4.32
		36°C	14.47	12.67	2.84	14.01	12.42	3.06	13.56	12.16	3.31	13.12	11.86	3.60	12.15	11.08	3.92	11.37	10.46	4.35

HEATING MODE

ID DB°C	Outdoor WB°C													
	-9		-6		-5		6		12		15		18	
	TC(kW)	SC(kW)	TC(kW)	SC(kW)	TC(kW)	SC(kW)	TC(kW)	SC(kW)	TC(kW)	SC(kW)	TC(kW)	SC(kW)	TC(kW)	SC(kW)
15	5.536	5.536	6.635	6.635	7.002	7.002	11.034	11.034	13.233	13.233	14.332	14.332	15.432	15.432
17	5.469	5.469	6.524	6.524	6.875	6.875	11.156	11.156	12.875	12.875	13.934	13.934	14.993	14.993
19	5.403	5.403	6.412	6.412	6.748	6.748	11.279	11.279	12.518	12.518	13.536	13.536	14.555	14.555
21	5.336	5.336	6.3	6.3	6.621	6.621	11.401	11.401	12.161	12.161	13.138	13.138	14.116	14.116
23	5.257	5.257	6.185	6.185	6.494	6.494	10.706	10.706	11.803	11.803	12.74	12.74	13.677	13.677
25	5.178	5.178	6.07	6.07	6.367	6.367	10.01	10.01	11.446	11.446	12.342	12.342	13.238	13.238
27	5.098	5.098	5.955	5.955	6.24	6.24	9.314	9.314	11.089	11.089	11.944	11.944	12.8	12.8

FROST REGION

Remark:

- AFR: Air flow rate (CFM)
- EWB: Entering Wet Bulb Temp. (°C)
- EDB: Entering Dry Bulb Temp. (°C)
- TC: Total Cooling Capacity (kW)
- SHC: Sensible Heat Capacity (kW)
- PI: Power Input

Notes:

1. Ratings shown are gross capacities which do not include a deduction for indoor fan motor heat.
2. [Blue shaded cell]
3. Direct interpolation is permissible. Do not extrapolate.
4. Unit is able to operate at ambient from 0 °C to 46°C without pressure trip.

00061220AB4040

ACK50ER / ALC50DR (3 Phase)

COOLING MODE

AFR (CFM)	EWB	EDB	Outdoor temperature																		
			19°C			25°C			30°C			35°C			40°C			46°C			
			TC	SHC	PI	TC	SHC	PI	TC	SHC	PI	TC	SHC	PI	TC	SHC	PI	TC	SHC	PI	
780	16°C	21°C	13.29	9.03	3.65	12.82	8.79	3.94	12.35	8.56	4.27	11.85	8.31	4.63	10.88	7.74	5.02	10.05	7.28	5.54	
		24°C	13.31	10.81	3.65	12.84	10.57	3.95	12.36	10.32	4.27	11.87	10.06	4.63	10.91	9.40	5.03	10.09	8.87	5.54	
		27°C	13.42	12.26	3.65	12.97	11.98	3.95	12.52	11.70	4.28	12.04	11.40	4.64	11.11	10.61	5.04	10.34	9.96	5.56	
	19°C	30°C	13.83	13.83	3.67	13.43	13.43	3.97	13.03	13.03	4.31	12.61	12.61	4.68	11.69	11.69	5.08	10.93	10.93	5.62	
		24°C	14.66	8.43	3.71	14.15	8.22	4.01	13.63	8.00	4.35	13.09	7.77	4.71	12.03	7.24	5.11	11.12	6.82	5.63	
		27°C	14.67	9.65	3.71	14.16	9.43	4.01	13.64	9.21	4.35	13.10	8.99	4.71	12.04	8.41	5.11	11.14	7.97	5.64	
	22°C	30°C	14.70	11.90	3.71	14.19	11.65	4.01	13.69	11.39	4.35	13.17	11.12	4.72	12.12	10.40	5.12	11.25	9.84	5.65	
		33°C	14.87	14.87	3.72	14.39	14.39	4.02	13.92	13.92	4.36	13.45	13.45	4.74	12.44	12.44	5.14	11.63	11.63	5.68	
		27°C	16.13	8.25	3.77	15.57	8.05	4.09	15.01	7.85	4.43	14.42	7.63	4.81	13.26	7.11	5.21	12.27	6.71	5.74	
	930	16°C	30°C	16.14	10.06	3.77	15.58	9.84	4.09	15.01	9.62	4.43	14.42	9.39	4.81	13.27	8.79	5.21	12.28	8.34	5.74
			33°C	16.15	11.74	3.77	15.59	11.52	4.09	15.02	11.29	4.43	14.43	11.06	4.81	13.28	10.38	5.21	12.31	9.86	5.75
			36°C	16.20	13.32	3.78	15.66	13.05	4.09	15.12	12.78	4.44	14.57	12.50	4.82	13.44	11.72	5.23	12.49	11.12	5.76
19°C		21°C	13.83	9.42	3.68	13.33	9.18	3.98	12.83	8.93	4.31	12.30	8.68	4.67	11.29	8.08	5.07	10.42	7.61	5.59	
		24°C	13.88	11.43	3.68	13.38	11.16	3.98	12.88	10.90	4.31	12.36	10.62	4.68	11.35	9.91	5.07	10.49	9.35	5.59	
		27°C	14.04	12.98	3.69	13.57	12.68	3.99	13.10	12.36	4.33	12.63	11.99	4.69	11.66	11.13	5.10	10.86	10.42	5.62	
22°C		30°C	14.63	14.63	3.72	14.20	14.20	4.03	13.77	13.77	4.37	13.32	13.32	4.74	12.35	12.35	5.15	11.54	11.54	5.69	
		24°C	15.24	8.91	3.74	14.70	8.69	4.05	14.15	8.46	4.39	13.58	8.23	4.76	12.47	7.67	5.16	11.52	7.23	5.68	
		27°C	15.27	10.26	3.74	14.72	10.04	4.05	14.17	9.81	4.39	13.60	9.58	4.76	12.50	8.95	5.16	11.55	8.48	5.69	
1030		16°C	30°C	15.34	12.66	3.75	14.81	12.39	4.06	14.28	12.11	4.39	13.73	11.81	4.77	12.64	11.05	5.17	11.73	10.44	5.70
			33°C	15.60	15.60	3.76	15.12	15.12	4.07	14.64	14.64	4.42	14.15	14.15	4.80	13.11	13.11	5.21	12.26	12.26	5.75
			27°C	16.74	8.72	3.81	16.16	8.52	4.13	15.55	8.30	4.47	14.94	8.08	4.85	13.73	7.54	5.26	12.70	7.11	5.79
	19°C	30°C	16.77	10.71	3.81	16.17	10.48	4.13	15.57	10.25	4.47	14.95	10.01	4.85	13.74	9.38	5.26	12.71	8.90	5.80	
		33°C	16.80	12.54	3.81	16.21	12.30	4.13	15.62	12.05	4.48	15.00	11.80	4.86	13.80	11.07	5.27	12.79	10.51	5.80	
		36°C	16.90	14.18	3.82	16.35	13.91	4.14	15.78	13.62	4.49	15.21	13.31	4.87	14.03	12.45	5.29	13.08	11.75	5.83	
	22°C	21°C	14.34	9.83	3.71	13.82	9.58	4.01	13.29	9.33	4.34	12.74	9.06	4.71	11.68	8.44	5.11	10.77	7.95	5.63	
		24°C	14.42	11.94	3.71	13.90	11.66	4.02	13.37	11.37	4.35	12.83	11.07	4.72	11.79	10.33	5.12	10.89	9.74	5.64	
		27°C	14.65	13.68	3.72	14.17	13.33	4.03	13.69	12.96	4.37	13.20	12.56	4.74	12.20	11.63	5.15	11.37	10.86	5.68	
	1200	16°C	30°C	15.39	15.39	3.76	14.94	14.94	4.07	14.48	14.48	4.42	14.00	14.00	4.79	12.96	12.96	5.21	12.11	12.11	5.75
			24°C	15.79	9.43	3.77	15.22	9.19	4.08	14.64	8.96	4.42	14.04	8.71	4.80	12.89	8.12	5.20	11.90	7.66	5.73
			27°C	15.84	10.91	3.77	15.27	10.66	4.09	14.69	10.41	4.43	14.10	10.15	4.80	12.95	9.49	5.21	11.96	8.98	5.74
19°C		30°C	15.97	13.42	3.78	15.40	13.13	4.09	14.85	12.83	4.44	14.28	12.51	4.81	13.15	11.68	5.22	12.21	11.01	5.76	
		33°C	16.31	16.31	3.80	15.83	15.83	4.12	15.35	15.35	4.47	14.84	14.84	4.85	13.75	13.75	5.27	12.86	12.86	5.82	
		27°C	17.33	9.22	3.84	16.71	9.02	4.16	16.08	8.79	4.51	15.43	8.56	4.89	14.18	7.99	5.30	13.10	7.54	5.84	
22°C		30°C	17.36	11.37	3.84	16.74	11.15	4.16	16.11	10.91	4.51	15.47	10.66	4.89	14.21	9.98	5.31	13.14	9.46	5.85	
		33°C	17.42	13.32	3.85	16.82	13.09	4.17	16.20	12.81	4.52	15.56	12.53	4.90	14.32	11.75	5.32	13.27	11.15	5.86	
		36°C	17.58	15.04	3.86	17.03	14.77	4.18	16.44	14.45	4.54	15.85	14.09	4.92	14.64	13.14	5.34	13.66	12.37	5.90	
22°C		21°C	14.34	9.91	3.75	13.84	9.67	4.03	13.33	9.44	4.36	12.81	9.19	4.74	11.77	8.56	5.17	10.87	8.07	5.74	
		24°C	14.39	12.12	3.75	13.88	11.86	4.04	13.38	11.60	4.36	12.86	11.33	4.74	11.83	10.59	5.17	10.95	9.99	5.75	
		27°C	14.63	13.90	3.76	14.18	13.55	4.05	13.73	13.19	4.38	13.27	12.80	4.77	12.29	12.10	5.20	11.48	11.41	5.79	
	30°C	15.42	15.42	3.79	14.99	14.99	4.09	14.55	14.55	4.43	14.10	14.10	4.82	13.08	13.08	5.25	12.24	12.24	5.84		
	24°C	15.78	9.51	3.81	15.24	9.28	4.10	14.69	9.06	4.44	14.13	8.83	4.82	12.99	8.24	5.25	12.02	7.79	5.83		
	27°C	15.83	11.02	3.81	15.28	10.79	4.10	14.73	10.57	4.44	14.16	10.33	4.82	13.03	9.69	5.25	12.06	9.20	5.83		
	30°C	15.91	13.70	3.81	15.37	13.40	4.11	14.86	13.12	4.45	14.32	12.80	4.83	13.22	11.97	5.26	12.32	11.28	5.85		
	33°C	16.33	16.33	3.83	15.86	15.86	4.14	15.42	15.42	4.48	14.96	14.96	4.87	13.89	13.89	5.31	13.02	13.02	5.90		
	36°C	17.35	9.32	3.88	16.75	9.11	4.18	16.16	8.90	4.52	15.55	8.68	4.91	14.32	8.11	5.34	13.27	7.67	5.92		

HEATING MODE

ID DB°C	Outdoor WB°C													
	-9		-6		-5		6		12		15		18	
	TC(kW)	SC(kW)	TC(kW)	SC(kW)	TC(kW)	SC(kW)	TC(kW)	SC(kW)	TC(kW)	SC(kW)	TC(kW)	SC(kW)	TC(kW)	SC(kW)
15	6.327	6.327	7.575	7.575	7.991	7.991	12.567	12.567	15.062	15.062	16.31	16.31	17.558	17.558
17	6.253	6.253	7.448	7.448	7.846	7.846	12.643	12.643	14.656	14.656	15.857	15.857	17.059	17.059
19	6.18	6.18	7.321	7.321	7.702	7.702	12.718	12.718	14.249	14.249	15.404	15.404	16.56	16.56
21	6.106	6.106	7.194	7.194	7.557	7.557	12.794	12.794	13.842	13.842	14.952	14.952	16.061	16.061
23	6.013	6.013	7.063	7.063	7.412	7.412	12.069	12.069	13.436	13.436	14.499	14.499	15.562	15.562
25	5.92	5.92	6.931	6.931	7.268	7.268	11.345	11.345	13.029	13.029	14.046	14.046	15.062	15.062
27	5.828	5.828	6.799	6.799	7.123	7.123	10.62	10.62	12.622	12.622	13.593	13.593	14.563	14.563

FROST REGION

Remark:
 AFR: Air flow rate (CFM)
 EWB: Entering Wet Bulb Temp. (°C)
 EDB: Entering Dry Bulb Temp. (°C)
 TC: Total Cooling Capacity (kW)
 SHC: Sensible Heat Capacity (kW)
 PI: Power Input

Notes:
 1. Ratings shown are gross capacities which do not include a deduction for indoor fan motor heat.
 2.
 3. Direct interpolation is permissible. Do not extrapolate.
 4. Unit is able to operate at ambient from 0 °C to 46°C without pressure trip.

00061220AB5050

R410A Models - Cooling Only
A5CK20E / A5LC20C

AFR (CFM)	EWB	EDB	Outdoor temperature																	
			19°C			25°C			30°C			35°C			40°C			46°C		
			TC	SHC	PI	TC	SHC	PI	TC	SHC	PI	TC	SHC	PI	TC	SHC	PI	TC	SHC	PI
400	16°C	21°C	5.06	3.82	1.32	4.88	3.72	1.43	4.70	3.62	1.55	4.51	3.51	1.68	4.14	3.27	1.82	3.82	3.08	2.01
		24°C	5.06	4.57	1.32	4.88	4.47	1.43	4.70	4.36	1.55	4.51	4.25	1.68	4.15	3.97	1.82	3.84	3.75	2.01
		27°C	5.10	5.10	1.32	4.93	4.93	1.43	4.76	4.76	1.55	4.58	4.58	1.68	4.23	4.23	1.83	3.93	3.93	2.02
		30°C	5.26	5.26	1.33	5.11	5.11	1.44	4.95	4.95	1.56	4.80	4.80	1.70	4.44	4.44	1.84	4.16	4.16	2.04
	19°C	24°C	5.58	3.56	1.34	5.38	3.47	1.45	5.18	3.38	1.58	4.98	3.28	1.71	4.58	3.06	1.85	4.23	2.88	2.04
		27°C	5.58	4.08	1.34	5.38	3.98	1.45	5.19	3.89	1.58	4.98	3.80	1.71	4.58	3.55	1.85	4.24	3.37	2.04
		30°C	5.59	5.03	1.34	5.40	4.92	1.45	5.21	4.81	1.58	5.01	4.70	1.71	4.61	4.39	1.86	4.28	4.16	2.05
		33°C	5.66	5.66	1.35	5.47	5.47	1.46	5.29	5.29	1.58	5.11	5.11	1.72	4.73	4.73	1.86	4.42	4.42	2.06
	22°C	27°C	6.14	3.49	1.37	5.92	3.40	1.48	5.71	3.32	1.61	5.48	3.23	1.74	5.04	3.01	1.89	4.67	2.83	2.08
		30°C	6.14	4.25	1.37	5.93	4.16	1.48	5.71	4.06	1.61	5.49	3.97	1.74	5.05	3.71	1.89	4.67	3.52	2.08
		33°C	6.14	4.96	1.37	5.93	4.87	1.48	5.71	4.77	1.61	5.49	4.67	1.74	5.05	4.39	1.89	4.68	4.17	2.08
		36°C	6.16	5.63	1.37	5.96	5.52	1.48	5.75	5.40	1.61	5.54	5.28	1.75	5.11	4.95	1.89	4.75	4.70	2.09
430	16°C	21°C	5.26	3.98	1.33	5.07	3.88	1.44	4.88	3.77	1.56	4.68	3.67	1.69	4.29	3.41	1.84	3.96	3.21	2.02
		24°C	5.28	4.83	1.33	5.09	4.72	1.44	4.90	4.60	1.56	4.70	4.49	1.70	4.32	4.19	1.84	3.99	3.95	2.03
		27°C	5.34	5.34	1.34	5.16	5.16	1.45	4.98	4.98	1.57	4.80	4.80	1.70	4.43	4.43	1.85	4.13	4.13	2.04
		30°C	5.56	5.56	1.35	5.40	5.40	1.46	5.24	5.24	1.58	5.07	5.07	1.72	4.69	4.69	1.87	4.39	4.39	2.06
	19°C	24°C	5.80	3.76	1.36	5.59	3.67	1.47	5.38	3.57	1.59	5.16	3.48	1.72	4.74	3.24	1.87	4.38	3.05	2.06
		27°C	5.81	4.34	1.36	5.60	4.24	1.47	5.39	4.14	1.59	5.17	4.05	1.72	4.75	3.78	1.87	4.39	3.58	2.06
		30°C	5.83	5.35	1.36	5.63	5.23	1.47	5.43	5.12	1.59	5.22	4.99	1.73	4.81	4.67	1.87	4.46	4.41	2.07
		33°C	5.93	5.93	1.36	5.75	5.75	1.48	5.57	5.57	1.60	5.38	5.38	1.74	4.99	4.99	1.89	4.66	4.66	2.09
	22°C	27°C	6.37	3.69	1.38	6.14	3.60	1.50	5.92	3.51	1.62	5.68	3.41	1.76	5.22	3.18	1.91	4.83	3.00	2.10
		30°C	6.38	4.52	1.38	6.15	4.43	1.50	5.92	4.33	1.62	5.69	4.23	1.76	5.23	3.96	1.91	4.83	3.76	2.10
		33°C	6.39	5.30	1.38	6.17	5.20	1.50	5.94	5.09	1.62	5.71	4.98	1.76	5.25	4.68	1.91	4.87	4.44	2.10
		36°C	6.43	5.99	1.38	6.22	5.88	1.50	6.00	5.76	1.63	5.78	5.62	1.77	5.34	5.26	1.92	4.98	4.96	2.11
530	16°C	21°C	5.46	4.15	1.34	5.26	4.05	1.45	5.05	3.94	1.57	4.84	3.83	1.71	4.44	3.57	1.85	4.10	3.36	2.04
		24°C	5.48	5.05	1.35	5.29	4.93	1.46	5.09	4.81	1.58	4.88	4.68	1.71	4.48	4.37	1.85	4.14	4.12	2.04
		27°C	5.57	5.57	1.35	5.39	5.39	1.46	5.21	5.21	1.58	5.02	5.02	1.72	4.64	4.64	1.87	4.32	4.32	2.06
		30°C	5.85	5.85	1.36	5.68	5.68	1.48	5.51	5.51	1.60	5.32	5.32	1.74	4.93	4.93	1.89	4.60	4.60	2.08
	19°C	24°C	6.01	3.98	1.37	5.79	3.89	1.48	5.57	3.79	1.60	5.34	3.68	1.74	4.90	3.43	1.89	4.53	3.24	2.08
		27°C	6.02	4.61	1.37	5.81	4.50	1.48	5.59	4.40	1.60	5.36	4.29	1.74	4.92	4.01	1.89	4.55	3.80	2.08
		30°C	6.07	5.67	1.37	5.86	5.55	1.48	5.65	5.42	1.61	5.43	5.29	1.74	5.00	4.94	1.89	4.64	4.64	2.09
		33°C	6.20	6.20	1.38	6.02	6.02	1.49	5.84	5.84	1.62	5.64	5.64	1.76	5.23	5.23	1.91	4.89	4.89	2.11
	22°C	27°C	6.59	3.90	1.39	6.36	3.81	1.51	6.12	3.72	1.64	5.87	3.62	1.77	5.39	3.38	1.92	4.98	3.19	2.12
		30°C	6.60	4.80	1.39	6.37	4.71	1.51	6.13	4.61	1.64	5.88	4.51	1.77	5.40	4.22	1.92	5.00	4.00	2.12
		33°C	6.63	5.63	1.39	6.40	5.53	1.51	6.16	5.42	1.64	5.92	5.30	1.78	5.45	4.96	1.93	5.05	4.71	2.12
		36°C	6.69	6.36	1.40	6.48	6.24	1.52	6.25	6.10	1.64	6.03	5.95	1.78	5.57	5.55	1.94	5.19	5.19	2.14
600	16°C	21°C	5.45	4.19	1.36	5.26	4.09	1.46	5.07	3.99	1.58	4.87	3.88	1.72	4.48	3.62	1.87	4.13	3.41	2.08
		24°C	5.47	5.12	1.36	5.28	5.01	1.46	5.09	4.90	1.58	4.89	4.79	1.72	4.50	4.48	1.87	4.17	4.17	2.08
		27°C	5.56	5.56	1.36	5.39	5.39	1.47	5.22	5.22	1.59	5.05	5.05	1.73	4.68	4.68	1.88	4.37	4.37	2.10
		30°C	5.86	5.86	1.38	5.70	5.70	1.48	5.54	5.54	1.61	5.36	5.36	1.75	4.98	4.98	1.90	4.66	4.66	2.12
	19°C	24°C	6.00	4.02	1.38	5.79	3.92	1.49	5.59	3.83	1.61	5.37	3.73	1.75	4.94	3.48	1.90	4.57	3.29	2.11
		27°C	6.02	4.66	1.38	5.81	4.56	1.49	5.60	4.47	1.61	5.39	4.37	1.75	4.96	4.09	1.90	4.59	3.89	2.11
		30°C	6.05	5.79	1.38	5.85	5.66	1.49	5.65	5.54	1.61	5.45	5.41	1.75	5.03	5.03	1.91	4.69	4.69	2.12
		33°C	6.21	6.21	1.39	6.03	6.03	1.50	5.86	5.86	1.62	5.69	5.69	1.77	5.28	5.28	1.92	4.95	4.95	2.14
	22°C	27°C	6.60	3.94	1.41	6.37	3.85	1.52	6.15	3.76	1.64	5.91	3.67	1.78	5.45	3.43	1.94	5.05	3.24	2.15
		30°C	6.61	4.87	1.41	6.39	4.77	1.52	6.16	4.67	1.64	5.93	4.57	1.78	5.46	4.29	1.94	5.06	4.08	2.15
		33°C	6.63	5.74	1.41	6.40	5.64	1.52	6.17	5.54	1.64	5.95	5.43	1.78	5.48	5.10	1.94	5.09	4.85	2.15
		36°C	6.69	6.51	1.41	6.48	6.38	1.52	6.27	6.24	1.65	6.07	6.07	1.79	5.62	5.62	1.95	5.26	5.26	2.16

00065110AA2020

A5CK25E / A5LC25C

AFR (CFM)	EWB	EDB	Outdoor temperature																	
			19°C			25°C			30°C			35°C			40°C			46°C		
			TC	SHC	PI	TC	SHC	PI	TC	SHC	PI	TC	SHC	PI	TC	SHC	PI	TC	SHC	PI
430	16°C	21°C	6.13	4.34	1.47	5.92	4.23	1.59	5.70	4.11	1.73	5.47	3.99	1.87	5.02	3.72	2.03	4.64	3.50	2.24
		24°C	6.14	5.20	1.47	5.92	5.08	1.59	5.70	4.96	1.73	5.48	4.84	1.87	5.03	4.52	2.03	4.65	4.26	2.24
		27°C	6.19	5.89	1.48	5.98	5.76	1.60	5.77	5.62	1.73	5.56	5.48	1.88	5.13	5.10	2.04	4.77	4.77	2.25
		30°C	6.38	6.38	1.48	6.20	6.20	1.61	6.01	6.01	1.74	5.82	5.82	1.89	5.39	5.39	2.06	5.04	5.04	2.27
	19°C	24°C	6.77	4.05	1.50	6.53	3.95	1.62	6.29	3.84	1.76	6.04	3.73	1.90	5.55	3.48	2.07	5.13	3.28	2.28
		27°C	6.77	4.64	1.50	6.53	4.53	1.62	6.29	4.43	1.76	6.04	4.32	1.91	5.56	4.04	2.07	5.14	3.83	2.28
		30°C	6.78	5.72	1.50	6.55	5.60	1.62	6.31	5.47	1.76	6.08	5.34	1.91	5.59	5.00	2.07	5.19	4.73	2.28
		33°C	6.86	6.86	1.50	6.64	6.64	1.63	6.42	6.42	1.76	6.20	6.20	1.91	5.74	5.74	2.08	5.37	5.37	2.30
	22°C	27°C	7.44	3.97	1.52	7.19	3.87	1.65	6.92	3.77	1.79	6.65	3.67	1.94	6.12	3.42	2.11	5.66	3.22	2.32
		30°C	7.45	4.83	1.52	7.19	4.73	1.65	6.92	4.62	1.79	6.65	4.51	1.94	6.12	4.22	2.11	5.67	4.01	2.32
		33°C	7.45	5.64	1.52	7.19	5.54	1.65	6.93	5.43	1.79	6.66	5.31	1.94	6.13	4.99	2.11	5.68	4.74	2.32
		36°C	7.47	6.40	1.53	7.23	6.27	1.65	6.98	6.14	1.79	6.72	6.01	1.95	6.20	5.63	2.11	5.76	5.34	2.33
530	16°C	21°C	6.38	4.53	1.49	6.15	4.41	1.61	5.92	4.29	1.74	5.68	4.17	1.89	5.21	3.88	2.05	4.81	3.66	2.26
		24°C	6.40	5.49	1.49	6.17	5.37	1.61	5.94	5.24	1.74	5.70	5.11	1.89	5.24	4.76	2.05	4.84	4.50	2.26
		27°C	6.48	6.24	1.49	6.26	6.10	1.61	6.05	5.94	1.75	5.83	5.76	1.90	5.38	5.35	2.06	5.01	5.01	2.27
		30°C	6.75	6.75	1.50	6.55	6.55	1.63	6.35	6.35	1.76	6.								

A5CK28E / A5LC28C

AFR (CFM)	EWB	EDB	Outdoor temperature																	
			19°C			25°C			30°C			35°C			40°C			46°C		
			TC	SHC	PI	TC	SHC	PI	TC	SHC	PI	TC	SHC	PI	TC	SHC	PI	TC	SHC	PI
620	16°C	21°C	7.46	5.49	2.12	7.20	5.35	2.29	6.93	5.21	2.48	6.65	5.06	2.69	6.11	4.71	2.92	5.64	4.43	3.22
		24°C	7.47	6.58	2.12	7.21	6.43	2.29	6.94	6.28	2.48	6.66	6.12	2.69	6.12	5.72	2.92	5.66	5.39	3.22
		27°C	7.53	7.46	2.12	7.28	7.28	2.30	7.03	7.03	2.49	6.76	6.76	2.70	6.24	6.24	2.93	5.80	5.80	3.23
		30°C	7.76	7.76	2.13	7.54	7.54	2.31	7.31	7.31	2.51	7.08	7.08	2.72	6.56	6.56	2.96	6.14	6.14	3.26
	19°C	24°C	8.23	5.13	2.15	7.94	5.00	2.33	7.65	4.87	2.53	7.35	4.73	2.74	6.75	4.40	2.97	6.24	4.15	3.28
		27°C	8.24	5.87	2.15	7.95	5.74	2.33	7.66	5.60	2.53	7.35	5.47	2.74	6.76	5.12	2.97	6.25	4.85	3.28
		30°C	8.25	7.24	2.15	7.97	7.09	2.33	7.68	6.93	2.53	7.39	6.76	2.74	6.81	6.32	2.98	6.31	5.99	3.28
		33°C	8.35	8.35	2.16	8.08	8.08	2.34	7.81	7.81	2.54	7.55	7.55	2.75	6.98	6.98	2.99	6.53	6.53	3.30
	22°C	27°C	9.06	5.02	2.19	8.74	4.90	2.38	8.42	4.78	2.58	8.10	4.64	2.79	7.44	4.33	3.03	6.89	4.08	3.34
		30°C	9.06	6.12	2.19	8.75	5.99	2.38	8.43	5.85	2.58	8.10	5.71	2.79	7.45	5.35	3.03	6.89	5.07	3.34
		33°C	9.06	7.14	2.19	8.75	7.01	2.38	8.43	6.87	2.58	8.10	6.73	2.79	7.46	6.32	3.03	6.91	6.00	3.34
		36°C	9.09	8.10	2.19	8.79	7.94	2.38	8.49	7.77	2.58	8.18	7.60	2.80	7.54	7.13	3.04	7.01	6.76	3.35
620	16°C	21°C	7.76	5.73	2.14	7.48	5.58	2.31	7.20	5.43	2.51	6.90	5.28	2.72	6.34	4.91	2.95	5.84	4.62	3.25
		24°C	7.79	6.95	2.14	7.51	6.79	2.31	7.23	6.62	2.51	6.93	6.46	2.72	6.37	6.02	2.95	5.89	5.69	3.25
		27°C	7.88	7.88	2.15	7.62	7.62	2.32	7.35	7.35	2.51	7.09	7.09	2.73	6.54	6.54	2.96	6.10	6.10	3.27
		30°C	8.21	8.21	2.16	7.97	7.97	2.34	7.73	7.73	2.54	7.48	7.48	2.75	6.93	6.93	2.99	6.48	6.48	3.30
	19°C	24°C	8.55	5.42	2.17	8.25	5.28	2.35	7.94	5.14	2.55	7.62	5.00	2.76	7.00	4.66	3.00	6.46	4.39	3.30
		27°C	8.57	6.24	2.17	8.26	6.10	2.35	7.95	5.96	2.55	7.63	5.82	2.77	7.01	5.44	3.00	6.48	5.15	3.31
		30°C	8.61	7.70	2.18	8.31	7.53	2.36	8.01	7.36	2.55	7.70	7.18	2.77	7.09	6.71	3.01	6.58	6.34	3.31
		33°C	8.75	8.75	2.18	8.48	8.48	2.37	8.21	8.21	2.57	7.94	7.94	2.79	7.36	7.36	3.03	6.88	6.88	3.34
	22°C	27°C	9.40	5.30	2.21	9.07	5.18	2.40	8.73	5.05	2.60	8.38	4.91	2.82	7.70	4.58	3.06	7.12	4.32	3.37
		30°C	9.41	6.51	2.21	9.08	6.37	2.40	8.74	6.23	2.60	8.39	6.09	2.82	7.71	5.70	3.06	7.13	5.41	3.37
		33°C	9.42	7.63	2.22	9.10	7.48	2.40	8.76	7.33	2.60	8.42	7.17	2.82	7.74	6.73	3.06	7.18	6.39	3.37
		36°C	9.48	8.62	2.22	9.18	8.46	2.41	8.86	8.28	2.61	8.53	8.09	2.83	7.87	7.57	3.07	7.34	7.14	3.39
725	16°C	21°C	8.05	5.97	2.16	7.76	5.82	2.33	7.46	5.67	2.53	7.15	5.51	2.74	6.56	5.13	2.97	6.04	4.83	3.27
		24°C	8.09	7.26	2.16	7.80	7.09	2.33	7.51	6.91	2.53	7.20	6.73	2.74	6.61	6.28	2.97	6.11	5.92	3.28
		27°C	8.22	8.22	2.17	7.95	7.95	2.34	7.69	7.69	2.54	7.41	7.41	2.76	6.85	6.85	2.99	6.38	6.38	3.30
		30°C	8.63	8.63	2.18	8.38	8.38	2.37	8.12	8.12	2.57	7.86	7.86	2.79	7.27	7.27	3.03	6.79	6.79	3.34
	19°C	24°C	8.86	5.73	2.19	8.54	5.59	2.37	8.22	5.45	2.57	7.88	5.30	2.79	7.23	4.94	3.02	6.68	4.66	3.33
		27°C	8.89	6.63	2.19	8.57	6.48	2.37	8.25	6.33	2.57	7.91	6.17	2.79	7.27	5.77	3.03	6.71	5.46	3.33
		30°C	8.96	8.16	2.20	8.64	7.98	2.38	8.33	7.80	2.58	8.01	7.60	2.80	7.38	7.10	3.03	6.85	6.69	3.35
		33°C	9.15	9.15	2.21	8.89	8.89	2.39	8.61	8.61	2.60	8.33	8.33	2.82	7.72	7.72	3.06	7.22	7.22	3.38
	22°C	27°C	9.72	5.61	2.23	9.38	5.48	2.42	9.02	5.35	2.62	8.66	5.21	2.84	7.96	4.86	3.08	7.35	4.59	3.39
		30°C	9.74	6.91	2.23	9.40	6.78	2.42	9.04	6.63	2.62	8.68	6.48	2.84	7.97	6.07	3.08	7.38	5.75	3.40
		33°C	9.78	8.10	2.24	9.44	7.96	2.42	9.09	7.79	2.63	8.73	7.62	2.85	8.04	7.14	3.09	7.44	6.78	3.40
		36°C	9.86	9.15	2.24	9.55	8.98	2.43	9.22	8.78	2.64	8.89	8.56	2.86	8.22	7.99	3.11	7.66	7.52	3.43
860	16°C	21°C	8.05	6.03	2.18	7.76	5.88	2.34	7.48	5.74	2.54	7.19	5.59	2.75	6.60	5.21	3.00	6.10	4.90	3.34
		24°C	8.08	7.37	2.18	7.79	7.21	2.35	7.51	7.05	2.54	7.22	6.89	2.76	6.64	6.44	3.00	6.15	6.08	3.34
		27°C	8.21	8.21	2.18	7.96	7.96	2.35	7.70	7.70	2.55	7.45	7.45	2.77	6.90	6.90	3.02	6.45	6.45	3.36
		30°C	8.65	8.65	2.20	8.41	8.41	2.38	8.17	8.17	2.57	7.91	7.91	2.80	7.34	7.34	3.05	6.87	6.87	3.40
	19°C	24°C	8.86	5.78	2.21	8.55	5.64	2.38	8.25	5.51	2.58	7.93	5.37	2.80	7.29	5.01	3.05	6.75	4.74	3.39
		27°C	8.88	6.70	2.22	8.57	6.56	2.39	8.27	6.42	2.58	7.95	6.28	2.80	7.31	5.89	3.05	6.77	5.59	3.39
		30°C	8.93	8.33	2.22	8.63	8.15	2.39	8.34	7.98	2.58	8.04	7.79	2.81	7.42	7.28	3.06	6.91	6.86	3.40
		33°C	9.17	9.17	2.23	8.90	8.90	2.40	8.65	8.65	2.60	8.39	8.39	2.83	7.80	7.80	3.09	7.31	7.31	3.43
	22°C	27°C	9.74	5.67	2.26	9.40	5.54	2.43	9.07	5.41	2.63	8.73	5.28	2.85	8.04	4.93	3.10	7.45	4.67	3.44
		30°C	9.76	7.01	2.26	9.42	6.87	2.43	9.09	6.72	2.63	8.75	6.58	2.85	8.05	6.17	3.11	7.47	5.87	3.44
		33°C	9.78	8.26	2.26	9.44	8.11	2.43	9.11	7.97	2.63	8.77	7.81	2.86	8.09	7.34	3.11	7.51	6.97	3.45
		36°C	9.87	9.36	2.26	9.56	9.17	2.44	9.25	8.98	2.64	8.95	8.76	2.87	8.29	8.19	3.12	7.76	7.73	3.47

00065110AA2828

A5CK40E / A5LC35D

AFR (CFM)	EWB	EDB	Outdoor temperature																	
			19°C			25°C			30°C			35°C			40°C			46°C		
			TC	SHC	PI	TC	SHC	PI	TC	SHC	PI	TC	SHC	PI	TC	SHC	PI	TC	SHC	PI
620	16°C	21°C	8.07	6.16	2.14	7.78	6.00	2.32	7.49	5.84	2.51	7.19	5.67	2.72	6.60	5.28	2.95	6.10	4.97	3.25
		24°C	8.08	7.38	2.14	7.79	7.21	2.32	7.50	7.05	2.51	7.20	6.87	2.72	6.62	6.42	2.95	6.12	6.05	3.26
		27°C	8.14	8.14	2.15	7.87	7.87	2.32	7.60	7.60	2.52	7.31	7.31	2.73	6.74	6.74	2.96	6.27	6.27	3.27
		30°C	8.39	8.39	2.16	8.15	8.15	2.34	7.91	7.91	2.53	7.65	7.65	2.75	7.09	7.09	2.99	6.63	6.63	3.30
	19°C	24°C	8.90	5.76	2.18	8.59	5.61	2.36	8.27	5.46	2.55	7.94	5.31	2.77	7.30	4.94	3.00	6.75	4.65	3.31
		27°C	8.91	6.59	2.18	8.59	6.44	2.36	8.28	6.29	2.55	7.95	6.14	2.77	7.31	5.74	3.00	6.76	5.44	3.31
		30°C	8.92	8.13	2.18	8.61	7.95	2.36	8.31	7.78	2.56	7.99	7.59	2.77	7.36	7.10	3.01	6.83	6.72	3.32
		33°C	9.03	9.03	2.18	8.73	8.73	2.36	8.45	8.45	2.56	8.16	8.16	2.78	7.55	7.55	3.02	7.06	7.06	3.34
	22°C	27°C	9.79	5.63	2.22	9.45	5.50	2.40	9.11	5.36	2.60	8.75	5.21	2.82	8.05	4.86	3.06	7.45	4.58	3.37
		30°C	9.79	6.87	2.22	9.46	6.72	2.40	9.11	6.57	2.60	8.75	6.41	2.82	8.05	6.00	3.06	7.45	5.69	3.37
		33°C	9.80	8.02	2.22	9.46	7.87	2.40	9.12	7.71	2.60	8.76	7.55	2.82	8.06	7.09	3.06	7.47	6.73	3.38
		36°C	9.83	9.09	2.22	9.51	8.91	2.40	9.18	8.72	2.61	8.84	8.53	2.83	8.15	8.00	3.07	7.58	7.58	3.39
740	16°C	21°C	8.40	6.43	2.16	8.09	6.26	2.34	7.79	6.10	2.53	7.47	5.93	2.75	6.85	5.52	2.98	6.32	5.19	3.28
		24°C	8.42	7.81	2.16	8.12	7.62	2.34	7.81	7.44	2.53	7.50	7.25	2.75	6.89	6.77	2.98	6.37	6.37	3.29
		27°C	8.52	8.52	2.17	8.24	8.24	2.35	7.95	7.95	2.54	7.67	7.67	2.76	7.08	7.08	2.99	6.59	6.59	3.30
		30°C	8.88	8.88	2.18	8.62	8.62	2.36	8.36	8.36	2.56	8.09	8.09							

A5CK40E / A5LC35D (3 Phase)

AFR (CFM)	EWB	EDB	Outdoor temperature																	
			19°C			25°C			30°C			35°C			40°C			46°C		
			TC	SHC	PI	TC	SHC	PI	TC	SHC	PI	TC	SHC	PI	TC	SHC	PI	TC	SHC	PI
620	16°C	21°C	8.57	6.14	2.10	8.26	5.98	2.28	7.96	5.82	2.47	7.64	5.65	2.67	7.01	5.26	2.90	6.47	4.95	3.20
		24°C	8.58	7.35	2.11	8.27	7.19	2.28	7.97	7.02	2.47	7.65	6.84	2.67	7.03	6.39	2.90	6.50	6.03	3.20
		27°C	8.65	8.34	2.11	8.36	8.15	2.28	8.06	7.96	2.47	7.76	7.75	2.68	7.16	7.16	2.91	6.66	6.66	3.21
		30°C	8.91	8.91	2.12	8.66	8.66	2.29	8.39	8.39	2.49	8.12	8.12	2.70	7.53	7.53	2.93	7.04	7.04	3.24
		24°C	9.45	5.73	2.14	9.12	5.59	2.31	8.78	5.44	2.51	8.44	5.29	2.72	7.75	4.92	2.95	7.17	4.64	3.25
		27°C	9.45	6.56	2.14	9.12	6.41	2.31	8.79	6.27	2.51	8.44	6.11	2.72	7.76	5.72	2.95	7.18	5.42	3.25
	19°C	30°C	9.47	8.09	2.14	9.14	7.92	2.32	8.82	7.75	2.51	8.48	7.56	2.72	7.81	7.07	2.95	7.25	6.69	3.26
		33°C	9.58	9.58	2.14	9.27	9.27	2.32	8.97	8.97	2.52	8.66	8.66	2.73	8.02	8.02	2.97	7.49	7.49	3.28
		27°C	10.39	5.61	2.18	10.04	5.48	2.36	9.67	5.34	2.56	9.29	5.19	2.77	8.54	4.84	3.01	7.91	4.56	3.31
		30°C	10.40	6.84	2.18	10.04	6.69	2.36	9.67	6.54	2.56	9.29	6.39	2.77	8.55	5.98	3.01	7.91	5.67	3.31
		33°C	10.40	7.99	2.18	10.04	7.83	2.36	9.68	7.68	2.56	9.30	7.52	2.77	8.56	7.06	3.01	7.93	6.71	3.32
		36°C	10.44	9.06	2.18	10.09	8.88	2.36	9.74	8.69	2.56	9.39	8.50	2.78	8.66	7.97	3.02	8.05	7.56	3.33
740	16°C	21°C	8.91	6.41	2.12	8.59	6.24	2.30	8.27	6.07	2.49	7.93	5.90	2.70	7.27	5.50	2.92	6.71	5.17	3.22
		24°C	8.94	7.78	2.12	8.62	7.59	2.30	8.30	7.41	2.49	7.96	7.22	2.70	7.31	6.74	2.93	6.76	6.36	3.23
		27°C	9.05	8.83	2.13	8.74	8.62	2.30	8.44	8.40	2.50	8.14	8.14	2.71	7.51	7.51	2.94	7.00	7.00	3.25
		30°C	9.43	9.43	2.14	9.15	9.15	2.32	8.87	8.87	2.52	8.59	8.59	2.74	7.95	7.95	2.97	7.44	7.44	3.28
		24°C	9.82	6.06	2.16	9.47	5.91	2.34	9.11	5.75	2.53	8.75	5.60	2.74	8.03	5.21	2.98	7.42	4.91	3.28
		27°C	9.84	6.98	2.16	9.49	6.83	2.34	9.13	6.67	2.53	8.77	6.51	2.75	8.05	6.09	2.98	7.44	5.76	3.28
	19°C	30°C	9.88	8.61	2.16	9.54	8.42	2.34	9.20	8.24	2.54	8.85	8.03	2.75	8.15	7.51	2.98	7.56	7.10	3.29
		33°C	10.05	10.05	2.17	9.74	9.74	2.35	9.43	9.43	2.55	9.12	9.12	2.77	8.45	8.45	3.01	7.90	7.90	3.32
		27°C	10.79	5.93	2.20	10.41	5.79	2.38	10.02	5.65	2.58	9.62	5.49	2.80	8.84	5.12	3.04	8.18	4.84	3.34
		30°C	10.80	7.28	2.20	10.42	7.13	2.38	10.03	6.97	2.58	9.64	6.81	2.80	8.86	6.38	3.04	8.19	6.05	3.34
		33°C	10.82	8.53	2.20	10.45	8.37	2.38	10.06	8.20	2.58	9.67	8.02	2.80	8.89	7.53	3.04	8.24	7.15	3.35
		36°C	10.89	9.64	2.20	10.54	9.46	2.39	10.17	9.26	2.59	9.80	9.05	2.81	9.04	8.47	3.05	8.43	7.99	3.37
860	16°C	21°C	9.24	6.68	2.14	8.90	6.51	2.32	8.56	6.34	2.51	8.21	6.17	2.72	7.53	5.74	2.95	6.94	5.40	3.25
		24°C	9.29	8.12	2.14	8.95	7.93	2.32	8.62	7.74	2.51	8.27	7.53	2.72	7.59	7.03	2.95	7.02	6.63	3.25
		27°C	9.44	9.31	2.15	9.13	9.07	2.33	8.82	8.81	2.52	8.51	8.51	2.74	7.86	7.86	2.97	7.33	7.33	3.28
		30°C	9.91	9.91	2.17	9.62	9.62	2.35	9.33	9.33	2.55	9.02	9.02	2.77	8.35	8.35	3.01	7.80	7.80	3.32
		24°C	10.17	6.41	2.18	9.81	6.25	2.36	9.43	6.09	2.55	9.05	5.93	2.77	8.30	5.53	3.00	7.67	5.21	3.31
		27°C	10.20	7.42	2.18	9.84	7.25	2.36	9.47	7.08	2.55	9.09	6.91	2.77	8.34	6.46	3.00	7.71	6.11	3.31
	19°C	30°C	10.29	9.13	2.18	9.92	8.93	2.36	9.57	8.73	2.56	9.20	8.51	2.78	8.47	7.95	3.01	7.87	7.49	3.32
		33°C	10.51	10.51	2.19	10.20	10.20	2.38	9.89	9.89	2.58	9.56	9.56	2.80	8.86	8.86	3.04	8.29	8.29	3.36
		27°C	11.16	6.27	2.22	10.77	6.13	2.40	10.36	5.98	2.60	9.95	5.82	2.82	9.14	5.43	3.06	8.44	5.13	3.37
		30°C	11.19	7.73	2.22	10.79	7.59	2.40	10.38	7.42	2.60	9.97	7.25	2.82	9.16	6.79	3.06	8.47	6.44	3.37
		33°C	11.23	9.06	2.22	10.84	8.90	2.41	10.44	8.72	2.61	10.03	8.52	2.83	9.23	7.99	3.07	8.55	7.58	3.38
		36°C	11.33	10.23	2.23	10.97	10.05	2.41	10.59	9.83	2.62	10.21	9.58	2.84	9.43	8.94	3.08	8.80	8.41	3.40
1030	16°C	21°C	9.24	6.74	2.16	8.92	6.58	2.33	8.59	6.42	2.52	8.25	6.25	2.74	7.58	5.82	2.98	7.00	5.49	3.31
		24°C	9.27	8.24	2.16	8.94	8.07	2.33	8.62	7.89	2.52	8.29	7.70	2.74	7.62	7.21	2.98	7.06	6.80	3.32
		27°C	9.43	9.43	2.17	9.14	9.14	2.34	8.85	8.85	2.53	8.55	8.55	2.75	7.92	7.92	3.00	7.40	7.40	3.34
		30°C	9.94	9.94	2.19	9.66	9.66	2.36	9.38	9.38	2.56	9.09	9.09	2.78	8.43	8.43	3.03	7.89	7.89	3.37
		24°C	10.17	6.47	2.20	9.82	6.31	2.37	9.47	6.16	2.56	9.10	6.00	2.78	8.37	5.61	3.03	7.75	5.30	3.36
		27°C	10.20	7.50	2.20	9.84	7.34	2.37	9.49	7.19	2.56	9.13	7.03	2.78	8.40	6.59	3.03	7.77	6.26	3.36
	19°C	30°C	10.25	9.32	2.20	9.91	9.12	2.37	9.57	8.92	2.57	9.23	8.71	2.79	8.52	8.14	3.04	7.94	7.67	3.37
		33°C	10.52	10.52	2.21	10.22	10.22	2.39	9.94	9.94	2.58	9.64	9.64	2.81	8.95	8.95	3.06	8.39	8.39	3.41
		27°C	11.18	6.34	2.24	10.79	6.20	2.41	10.42	6.05	2.61	10.02	5.90	2.83	9.23	5.52	3.08	8.55	5.22	3.42
		30°C	11.20	7.84	2.24	10.82	7.68	2.41	10.44	7.52	2.61	10.04	7.36	2.83	9.25	6.91	3.08	8.57	6.57	3.42
		33°C	11.23	9.24	2.24	10.84	9.08	2.42	10.46	8.91	2.61	10.07	8.74	2.84	9.28	8.21	3.09	8.63	7.80	3.42
		36°C	11.33	10.47	2.25	10.97	10.26	2.42	10.62	10.05	2.62	10.28	9.80	2.85	9.52	9.16	3.10	8.91	8.65	3.44

00065120AB4035

A5CK40E / A5LC40D

AFR (CFM)	EWB	EDB	Outdoor temperature																	
			19°C			25°C			30°C			35°C			40°C			46°C		
			TC	SHC	PI	TC	SHC	PI	TC	SHC	PI	TC	SHC	PI	TC	SHC	PI	TC	SHC	PI
620	16°C	21°C	10.78	7.12	2.98	10.39	6.93	3.22	10.01	6.74	3.49	9.61	6.55	3.78	8.82	6.10	4.10	8.14	5.73	4.52
		24°C	10.79	8.52	2.98	10.41	8.33	3.22	10.02	8.13	3.49	9.62	7.93	3.78	8.84	7.41	4.11	8.18	6.99	4.53
		27°C	10.88	9.66	2.98	10.51	9.44	3.23	10.14	9.22	3.50	9.76	8.98	3.79	9.01	8.36	4.12	8.38	7.85	4.54
		30°C	11.21	11.21	3.00	10.89	10.89	3.25	10.56	10.56	3.52	10.22	10.22	3.82	9.47	9.47	4.15	8.86	8.86	4.59
		24°C	11.89	6.64	3.03	11.47	6.47	3.28	11.05	6.30	3.55	10.61	6.12	3.85	9.75	5.70	4.18	9.02	5.37	4.60
		27°C	11.89	7.60	3.03	11.48	7.43	3.28	11.06	7.26	3.55	10.62	7.08	3.85	9.76	6.63	4.18	9.03	6.28	4.60
	19°C	30°C	11.91	9.38	3.03	11.50	9.18	3.28	11.09	8.98	3.55	10.67	8.76	3.85	9.83	8.19	4.18	9.12	7.75	4.61
		33°C	12.05	12.05	3.03	11.66	11.66	3.29	11.28	11.28	3.56	10.90	10.90	3.87	10.08	10.08	4.20	9.43	9.43	4.64
		27°C	13.08	6.50	3.08	12.62	6.34	3.34	12.16	6.19	3.62	11.69	6.02	3.92	10.75	5.61	4.26	9.95	5.28	4.69
		30°C	13.08	7.92	3.08	12.63	7.75	3.34	12.17	7.58	3.62	11.69								

A5CK40E / A5LC40D (3 Phase)

AFR (CFM)	EWB	EDB	Outdoor temperature																	
			19°C			25°C			30°C			35°C			40°C			46°C		
			TC	SHC	PI	TC	SHC	PI	TC	SHC	PI	TC	SHC	PI	TC	SHC	PI	TC	SHC	PI
620	16°C	21°C	10.78	7.12	2.92	10.39	6.93	3.16	10.01	6.74	3.42	9.61	6.55	3.71	8.82	6.10	4.02	8.14	5.73	4.43
		24°C	10.79	8.52	2.92	10.41	8.33	3.16	10.02	8.13	3.42	9.62	7.93	3.71	8.84	7.41	4.02	8.18	6.99	4.43
		27°C	10.88	9.66	2.92	10.51	9.44	3.16	10.14	9.22	3.42	9.76	8.98	3.72	9.01	8.36	4.03	8.38	7.85	4.45
		30°C	11.21	11.21	2.94	10.89	10.89	3.18	10.56	10.56	3.45	10.22	10.22	3.74	9.47	9.47	4.07	8.86	8.86	4.49
		24°C	11.89	6.64	2.96	11.47	6.47	3.21	11.05	6.30	3.48	10.61	6.12	3.77	9.75	5.70	4.09	9.02	5.37	4.51
		27°C	11.89	7.60	2.96	11.48	7.43	3.21	11.06	7.26	3.48	10.62	7.08	3.77	9.76	6.63	4.09	9.03	6.28	4.51
	19°C	30°C	11.91	9.38	2.97	11.50	9.18	3.21	11.09	8.98	3.48	10.67	8.76	3.77	9.83	8.19	4.10	9.12	7.75	4.52
		33°C	12.05	12.05	2.97	11.66	11.66	3.22	11.28	11.28	3.49	10.90	10.90	3.79	10.08	10.08	4.12	9.43	9.43	4.54
		27°C	13.08	6.50	3.02	12.62	6.34	3.27	12.16	6.19	3.54	11.69	6.02	3.84	10.75	5.81	4.17	9.95	5.28	4.59
		30°C	13.08	7.92	3.02	12.63	7.75	3.27	12.17	7.58	3.54	11.69	7.40	3.84	10.75	6.93	4.17	9.95	6.57	4.60
		33°C	13.09	9.25	3.02	12.63	9.08	3.27	12.17	8.90	3.54	11.70	8.71	3.85	10.77	8.18	4.17	9.98	7.77	4.60
		36°C	13.13	10.49	3.02	12.70	10.28	3.27	12.26	10.07	3.55	11.81	9.85	3.85	10.89	9.23	4.18	10.13	8.76	4.61
740	16°C	21°C	11.21	7.42	2.94	10.81	7.23	3.18	10.40	7.04	3.45	9.97	6.84	3.74	9.15	6.37	4.05	8.44	5.99	4.47
		24°C	11.25	9.01	2.95	10.84	8.80	3.19	10.44	8.59	3.45	10.02	8.37	3.74	9.20	7.81	4.06	8.51	7.37	4.47
		27°C	11.38	10.23	2.95	11.00	9.99	3.19	10.62	9.74	3.46	10.24	9.45	3.76	9.45	8.77	4.08	8.81	8.21	4.50
		30°C	11.86	11.86	2.97	11.51	11.51	3.22	11.16	11.16	3.49	10.80	10.80	3.79	10.01	10.01	4.12	9.35	9.35	4.55
		24°C	12.35	7.02	2.99	11.91	6.85	3.24	11.47	6.67	3.51	11.01	6.48	3.80	10.11	6.04	4.13	9.34	5.69	4.55
		27°C	12.37	8.09	2.99	11.93	7.91	3.24	11.49	7.73	3.51	11.03	7.55	3.81	10.13	7.05	4.13	9.37	6.68	4.55
	19°C	30°C	12.43	9.98	3.00	12.00	9.76	3.24	11.57	9.54	3.52	11.13	9.31	3.81	10.25	8.70	4.14	9.51	8.22	4.56
		33°C	12.64	12.64	3.01	12.26	12.26	3.26	11.87	11.87	3.53	11.47	11.47	3.84	10.63	10.63	4.17	9.93	9.93	4.60
		27°C	13.57	6.87	3.05	13.10	6.71	3.30	12.61	6.54	3.58	12.11	6.37	3.88	11.13	5.94	4.21	10.29	5.60	4.63
		30°C	13.59	8.44	3.05	13.11	8.26	3.30	12.62	8.08	3.58	12.12	7.89	3.88	11.14	7.39	4.21	10.31	7.01	4.64
		33°C	13.61	9.89	3.05	13.14	9.70	3.30	12.66	9.50	3.58	12.16	9.30	3.89	11.19	8.72	4.21	10.37	8.28	4.64
		36°C	13.70	11.17	3.05	13.26	10.96	3.31	12.79	10.73	3.59	12.33	10.48	3.90	11.37	9.81	4.23	10.60	9.26	4.67
860	16°C	21°C	11.63	7.74	2.97	11.20	7.55	3.21	10.77	7.35	3.48	10.33	7.14	3.77	9.47	6.65	4.09	8.73	6.26	4.50
		24°C	11.69	9.41	2.97	11.26	9.19	3.21	10.84	8.96	3.48	10.40	8.73	3.77	9.55	8.14	4.09	8.83	7.68	4.51
		27°C	11.88	10.78	2.98	11.49	10.51	3.23	11.10	10.21	3.50	10.70	9.90	3.79	9.89	9.17	4.12	9.22	8.56	4.54
		30°C	12.47	12.47	3.01	12.11	12.11	3.26	11.73	11.73	3.53	11.35	11.35	3.84	10.51	10.51	4.17	9.81	9.81	4.60
		24°C	12.80	7.43	3.02	12.34	7.25	3.27	11.87	7.06	3.54	11.38	6.87	3.84	10.45	6.40	4.16	9.65	6.04	4.58
		27°C	12.84	8.59	3.02	12.38	8.40	3.27	11.91	8.20	3.54	11.43	8.00	3.84	10.49	7.48	4.16	9.70	7.08	4.59
	19°C	30°C	12.94	10.58	3.02	12.48	10.35	3.28	12.04	10.11	3.55	11.58	9.86	3.85	10.66	9.21	4.18	9.89	8.68	4.61
		33°C	13.22	13.22	3.04	12.84	12.84	3.29	12.44	12.44	3.57	12.03	12.03	3.88	11.15	11.15	4.22	10.42	10.42	4.65
		27°C	14.04	7.27	3.07	13.55	7.11	3.33	13.04	6.93	3.61	12.51	6.75	3.91	11.49	6.30	4.24	10.62	5.95	4.67
		30°C	14.07	8.96	3.08	13.57	8.79	3.33	13.06	8.60	3.61	12.54	8.40	3.92	11.52	7.87	4.25	10.65	7.46	4.68
		33°C	14.12	10.50	3.08	13.63	10.32	3.34	13.13	10.10	3.62	12.62	9.88	3.92	11.61	9.26	4.25	10.75	8.79	4.69
		36°C	14.25	11.86	3.09	13.80	11.64	3.35	13.32	11.38	3.63	12.85	11.10	3.94	11.87	10.36	4.27	11.07	9.75	4.72
1030	16°C	21°C	11.63	7.81	3.00	11.22	7.62	3.23	10.81	7.44	3.49	10.38	7.24	3.79	9.54	6.75	4.13	8.81	6.36	4.59
		24°C	11.67	9.55	3.00	11.25	9.35	3.23	10.85	9.14	3.49	10.43	8.93	3.79	9.59	8.35	4.14	8.88	7.88	4.60
		27°C	11.86	10.95	3.01	11.50	10.68	3.24	11.13	10.40	3.51	10.76	10.09	3.81	9.97	9.54	4.16	9.31	9.00	4.63
		30°C	12.50	12.50	3.03	12.15	12.15	3.27	11.80	11.80	3.54	11.43	11.43	3.85	10.60	10.60	4.20	9.93	9.93	4.67
		24°C	12.80	7.49	3.05	12.35	7.31	3.28	11.91	7.14	3.55	11.45	6.96	3.85	10.53	6.50	4.20	9.75	6.14	4.66
		27°C	12.83	8.69	3.05	12.38	8.51	3.28	11.94	8.33	3.55	11.48	8.14	3.86	10.56	7.63	4.20	9.78	7.25	4.66
	19°C	30°C	12.89	10.79	3.05	12.46	10.56	3.29	12.04	10.34	3.56	11.61	10.09	3.86	10.72	9.43	4.21	9.99	8.89	4.68
		33°C	13.24	13.24	3.07	12.86	12.86	3.31	12.50	12.50	3.58	12.12	12.12	3.90	11.26	11.26	4.25	10.56	10.56	4.72
		27°C	14.06	7.35	3.11	13.58	7.18	3.34	13.10	7.01	3.62	12.61	6.84	3.93	11.61	6.39	4.27	10.76	6.05	4.74
		30°C	14.09	9.09	3.11	13.61	8.90	3.35	13.13	8.72	3.62	12.63	8.53	3.93	11.63	8.00	4.27	10.78	7.61	4.74
		33°C	14.13	10.71	3.11	13.64	10.52	3.35	13.16	10.33	3.62	12.67	10.13	3.93	11.68	9.52	4.28	10.85	9.04	4.74
		36°C	14.26	12.13	3.11	13.81	11.89	3.36	13.36	11.64	3.63	12.93	11.36	3.95	11.97	10.62	4.30	11.20	10.02	4.77

00065120AB4040

A5CK50E / A5LC50D

AFR (CFM)	EWB	EDB	Outdoor temperature																	
			19°C			25°C			30°C			35°C			40°C			46°C		
			TC	SHC	PI	TC	SHC	PI	TC	SHC	PI	TC	SHC	PI	TC	SHC	PI	TC	SHC	PI
780	16°C	21°C	11.88	8.18	3.34	11.46	7.97	3.61	11.04	7.76	3.91	10.59	7.53	4.24	9.73	7.01	4.60	8.98	6.59	5.07
		24°C	11.90	9.80	3.34	11.48	9.58	3.61	11.05	9.35	3.91	10.61	9.12	4.24	9.75	8.52	4.60	9.02	8.04	5.07
		27°C	11.99	11.11	3.34	11.59	10.86	3.61	11.19	10.60	3.92	10.76	10.33	4.25	9.93	9.61	4.61	9.24	9.03	5.09
		30°C	12.36	12.36	3.36	12.01	12.01	3.64	11.64	11.64	3.94	11.27	11.27	4.28	10.45	10.45	4.65	9.77	9.77	5.14
		24°C	13.11	7.64	3.39	12.65	7.45	3.67	12.18	7.25	3.97	11.70	7.04	4.31	10.75	6.56	4.68	9.94	6.18	5.15
		27°C	13.12	8.74	3.39	12.65	8.54	3.67	12.19	8.35	3.98	11.71	8.15	4.31	10.76	7.62	4.68	9.95	7.22	5.16
	19°C	30°C	13.14	10.79	3.39	12.68	10.56	3.67	12.23	10.32	3.98	11.77	10.08	4.32	10.84	9.42	4.68	10.05	8.92	5.16
		33°C	13.29	13.29	3.40	12.86	12.86	3.68	12.44	12.44	3.99	12.02	12.02	4.33	11.12	11.12	4.71	10.40	10.40	5.20
		27°C	14.42	7.48	3.45	13.92														

**R410A Models - Heatpump
A5CK20ER / A5LC20CR**

COOLING MODE

AFR (CFM)	EWB	EDB	Outdoor temperature																	
			19°C			25°C			30°C			35°C			40°C			46°C		
			TC	SHC	PI	TC	SHC	PI	TC	SHC	PI	TC	SHC	PI	TC	SHC	PI	TC	SHC	PI
400	16°C	21°C	5.06	3.62	1.32	4.88	3.72	1.43	4.70	3.62	1.55	4.51	3.51	1.68	4.14	3.27	1.82	3.82	3.08	2.01
		24°C	5.06	4.57	1.32	4.88	4.47	1.43	4.70	4.36	1.55	4.51	4.25	1.68	4.15	3.97	1.82	3.84	3.75	2.01
		27°C	5.10	5.10	1.32	4.93	4.93	1.43	4.76	4.76	1.55	4.58	4.58	1.68	4.23	4.23	1.83	3.93	3.93	2.02
		30°C	5.26	5.26	1.33	5.11	5.11	1.44	4.95	4.95	1.56	4.80	4.80	1.70	4.44	4.44	1.84	4.16	4.16	2.04
	19°C	24°C	5.58	3.56	1.34	5.38	3.47	1.45	5.18	3.38	1.58	4.98	3.28	1.71	4.58	3.06	1.85	4.23	2.88	2.04
		27°C	5.58	4.08	1.34	5.38	3.98	1.45	5.19	3.89	1.58	4.98	3.80	1.71	4.58	3.55	1.85	4.24	3.37	2.04
		30°C	5.59	5.03	1.34	5.40	4.92	1.45	5.21	4.81	1.58	5.01	4.70	1.71	4.61	4.39	1.86	4.28	4.16	2.05
		33°C	5.66	5.66	1.35	5.47	5.47	1.46	5.29	5.29	1.58	5.11	5.11	1.72	4.73	4.73	1.86	4.42	4.42	2.06
	22°C	27°C	6.14	3.49	1.37	5.92	3.40	1.48	5.71	3.32	1.61	5.48	3.23	1.74	5.04	3.01	1.89	4.67	2.83	2.08
		30°C	6.14	4.25	1.37	5.93	4.16	1.48	5.71	4.06	1.61	5.49	3.97	1.74	5.05	3.71	1.89	4.67	3.52	2.08
		33°C	6.14	4.96	1.37	5.93	4.87	1.48	5.71	4.77	1.61	5.49	4.67	1.74	5.05	4.39	1.89	4.68	4.17	2.08
		36°C	6.16	5.63	1.37	5.96	5.52	1.48	5.75	5.40	1.61	5.54	5.28	1.75	5.11	4.95	1.89	4.75	4.70	2.09
430	16°C	21°C	5.26	3.98	1.33	5.07	3.88	1.44	4.88	3.77	1.56	4.68	3.67	1.69	4.29	3.41	1.84	3.96	3.21	2.02
		24°C	5.28	4.83	1.33	5.09	4.72	1.44	4.90	4.60	1.56	4.70	4.49	1.70	4.32	4.19	1.84	3.99	3.95	2.03
		27°C	5.34	5.34	1.34	5.16	5.16	1.45	4.98	4.98	1.57	4.80	4.80	1.70	4.43	4.43	1.85	4.13	4.13	2.04
		30°C	5.56	5.56	1.35	5.40	5.40	1.46	5.24	5.24	1.58	5.07	5.07	1.72	4.69	4.69	1.87	4.39	4.39	2.06
	19°C	24°C	5.80	3.76	1.36	5.59	3.67	1.47	5.38	3.57	1.59	5.16	3.48	1.72	4.74	3.24	1.87	4.38	3.05	2.06
		27°C	5.81	4.34	1.36	5.60	4.24	1.47	5.39	4.14	1.59	5.17	4.05	1.72	4.75	3.78	1.87	4.39	3.58	2.06
		30°C	5.83	5.35	1.36	5.63	5.23	1.47	5.43	5.12	1.59	5.22	4.99	1.73	4.81	4.67	1.87	4.46	4.41	2.07
		33°C	5.93	5.93	1.36	5.75	5.75	1.48	5.57	5.57	1.60	5.38	5.38	1.74	4.99	4.99	1.89	4.66	4.66	2.09
	22°C	27°C	6.37	3.69	1.38	6.14	3.60	1.50	5.92	3.51	1.62	5.68	3.41	1.76	5.22	3.18	1.91	4.83	3.00	2.10
		30°C	6.38	4.52	1.38	6.15	4.43	1.50	5.92	4.33	1.62	5.69	4.23	1.76	5.23	3.96	1.91	4.83	3.76	2.10
		33°C	6.39	5.30	1.38	6.17	5.20	1.50	5.94	5.09	1.62	5.71	4.98	1.76	5.25	4.68	1.91	4.87	4.44	2.10
		36°C	6.43	5.99	1.38	6.22	5.88	1.50	6.00	5.76	1.63	5.78	5.62	1.77	5.34	5.26	1.92	4.98	4.96	2.11
530	16°C	21°C	5.46	4.15	1.34	5.26	4.05	1.45	5.05	3.94	1.57	4.84	3.83	1.71	4.44	3.57	1.85	4.10	3.36	2.04
		24°C	5.48	5.05	1.35	5.29	4.93	1.46	5.09	4.81	1.58	4.88	4.68	1.71	4.48	4.37	1.85	4.14	4.12	2.04
		27°C	5.57	5.57	1.35	5.39	5.39	1.46	5.21	5.21	1.58	5.02	5.02	1.72	4.64	4.64	1.87	4.32	4.32	2.06
		30°C	5.85	5.85	1.36	5.68	5.68	1.48	5.51	5.51	1.60	5.32	5.32	1.74	4.93	4.93	1.89	4.60	4.60	2.08
	19°C	24°C	6.01	3.98	1.37	5.79	3.89	1.48	5.57	3.79	1.60	5.34	3.68	1.74	4.90	3.43	1.89	4.53	3.24	2.08
		27°C	6.02	4.61	1.37	5.81	4.50	1.48	5.59	4.40	1.60	5.36	4.29	1.74	4.92	4.01	1.89	4.55	3.80	2.08
		30°C	6.07	5.67	1.37	5.86	5.55	1.48	5.65	5.42	1.61	5.43	5.29	1.74	5.00	4.94	1.89	4.64	4.64	2.09
		33°C	6.20	6.20	1.38	6.02	6.02	1.49	5.84	5.84	1.62	5.64	5.64	1.76	5.23	5.23	1.91	4.89	4.89	2.11
	22°C	27°C	6.59	3.90	1.39	6.36	3.81	1.51	6.12	3.72	1.64	5.87	3.62	1.77	5.39	3.38	1.92	4.98	3.19	2.12
		30°C	6.60	4.80	1.39	6.37	4.71	1.51	6.13	4.61	1.64	5.88	4.51	1.77	5.40	4.22	1.92	5.00	4.00	2.12
		33°C	6.63	5.63	1.39	6.40	5.53	1.51	6.16	5.42	1.64	5.92	5.30	1.78	5.45	4.96	1.93	5.05	4.71	2.12
		36°C	6.69	6.36	1.40	6.48	6.24	1.52	6.25	6.10	1.64	6.03	5.95	1.78	5.57	5.55	1.94	5.19	5.19	2.14
600	16°C	21°C	5.45	4.19	1.36	5.26	4.09	1.46	5.07	3.99	1.58	4.87	3.88	1.72	4.48	3.62	1.87	4.13	3.41	2.08
		24°C	5.47	5.12	1.36	5.28	5.01	1.46	5.09	4.90	1.58	4.89	4.79	1.72	4.50	4.48	1.87	4.17	4.17	2.08
		27°C	5.56	5.56	1.36	5.39	5.39	1.47	5.22	5.22	1.59	5.05	5.05	1.73	4.68	4.68	1.88	4.37	4.37	2.10
		30°C	5.86	5.86	1.38	5.70	5.70	1.48	5.54	5.54	1.61	5.36	5.36	1.75	4.98	4.98	1.90	4.66	4.66	2.12
	19°C	24°C	6.00	4.02	1.38	5.79	3.92	1.49	5.59	3.83	1.61	5.37	3.73	1.75	4.94	3.48	1.90	4.57	3.29	2.11
		27°C	6.02	4.66	1.38	5.81	4.56	1.49	5.60	4.47	1.61	5.39	4.37	1.75	4.96	4.09	1.90	4.59	3.89	2.11
		30°C	6.05	5.79	1.38	5.85	5.66	1.49	5.65	5.54	1.61	5.45	5.41	1.75	5.03	5.03	1.91	4.69	4.69	2.12
		33°C	6.21	6.21	1.39	6.03	6.03	1.50	5.86	5.86	1.62	5.69	5.69	1.77	5.28	5.28	1.92	4.95	4.95	2.14
	22°C	27°C	6.60	3.94	1.41	6.37	3.85	1.52	6.15	3.76	1.64	5.91	3.67	1.78	5.45	3.43	1.94	5.05	3.24	2.15
		30°C	6.61	4.87	1.41	6.39	4.77	1.52	6.16	4.67	1.64	5.93	4.57	1.78	5.46	4.29	1.94	5.06	4.08	2.15
		33°C	6.63	5.74	1.41	6.40	5.64	1.52	6.17	5.54	1.64	5.95	5.43	1.78	5.48	5.10	1.94	5.09	4.85	2.15
		36°C	6.69	6.51	1.41	6.48	6.38	1.52	6.27	6.24	1.65	6.07	6.07	1.79	5.62	5.62	1.95	5.26	5.26	2.16

HEATING MODE

ID DB°C	Outdoor WB°C													
	-9		-6		-5		6		12		15		18	
	TC(kW)	SC(kW)	TC(kW)	SC(kW)	TC(kW)	SC(kW)	TC(kW)	SC(kW)	TC(kW)	SC(kW)	TC(kW)	SC(kW)	TC(kW)	SC(kW)
15	3.075	3.075	3.481	3.481	3.616	3.616	5.103	5.103	5.913	5.913	6.319	6.319	6.724	6.724
17	2.995	2.995	3.475	3.475	3.538	3.538	5.096	5.096	5.847	5.847	6.255	6.255	6.662	6.662
19	2.914	2.914	3.47	3.47	3.46	3.46	5.09	5.09	5.781	5.781	6.191	6.191	6.601	6.601
21	2.834	2.834	3.402	3.402	3.382	3.382	5.029	5.029	5.715	5.715	6.127	6.127	6.539	6.539
23	2.753	2.753	3.271	3.271	3.305	3.305	4.913	4.913	5.649	5.649	6.063	6.063	6.477	6.477
25	2.672	2.672	3.14	3.14	3.227	3.227	4.797	4.797	5.583	5.583	5.999	5.999	6.415	6.415
27	2.592	2.592	3.01	3.01	3.149	3.149	4.682	4.682	5.518	5.518	5.935	5.935	6.353	6.353

FROST REGION

Remark:

- AFR: Air flow rate (CFM)
- EWB: Entering Wet Bulb Temp. (°C)
- EDB: Entering Dry Bulb Temp. (°C)
- TC: Total Cooling Capacity (kW)
- SHC: Sensible Heat Capacity (kW)
- PI: Power Input

Notes:

1. Ratings shown are gross capacities which do not include a deduction for indoor fan motor heat.
2.
3. Direct interpolation is permissible. Do not extrapolate.
4. Unit is able to operate at ambient from 0 °C to 46°C without pressure trip.

00065210AA2020

A5CK25ER / A5LC25CR
COOLING MODE

AFR (CFM)	EWB	EDB	Outdoor temperature																	
			19°C			25°C			30°C			35°C			40°C			46°C		
			TC	SHC	PI	TC	SHC	PI	TC	SHC	PI	TC	SHC	PI	TC	SHC	PI	TC	SHC	PI
430	16°C	21°C	6.13	4.34	1.47	5.92	4.23	1.59	5.70	4.11	1.73	5.47	3.99	1.87	5.02	3.72	2.03	4.64	3.50	2.24
		24°C	6.14	5.20	1.47	5.92	5.08	1.59	5.70	4.96	1.73	5.48	4.84	1.87	5.03	4.52	2.03	4.65	4.26	2.24
		27°C	6.19	5.89	1.48	5.98	5.76	1.60	5.77	5.62	1.73	5.56	5.48	1.88	5.13	5.10	2.04	4.77	4.77	2.25
		30°C	6.38	6.38	1.48	6.20	6.20	1.61	6.01	6.01	1.74	5.82	5.82	1.89	5.39	5.39	2.06	5.04	5.04	2.27
	19°C	24°C	6.77	4.05	1.50	6.53	3.95	1.62	6.29	3.84	1.76	6.04	3.73	1.90	5.55	3.48	2.07	5.13	3.28	2.28
		27°C	6.77	4.64	1.50	6.53	4.53	1.62	6.29	4.43	1.76	6.04	4.32	1.91	5.56	4.04	2.07	5.14	3.83	2.28
		30°C	6.78	5.72	1.50	6.55	5.80	1.62	6.31	5.47	1.76	6.08	5.34	1.91	5.59	5.00	2.07	5.19	4.73	2.28
		33°C	6.86	6.86	1.50	6.64	6.64	1.63	6.42	6.42	1.76	6.20	6.20	1.91	5.74	5.74	2.08	5.37	5.37	2.30
	22°C	27°C	7.44	3.97	1.52	7.19	3.87	1.65	6.92	3.77	1.79	6.65	3.67	1.94	6.12	3.42	2.11	5.66	3.22	2.32
		30°C	7.45	4.83	1.52	7.19	4.73	1.65	6.92	4.62	1.79	6.65	4.51	1.94	6.12	4.22	2.11	5.67	4.01	2.32
		33°C	7.45	5.64	1.52	7.19	5.54	1.65	6.93	5.43	1.79	6.66	5.31	1.94	6.13	4.99	2.11	5.68	4.74	2.32
		36°C	7.47	6.40	1.53	7.23	6.27	1.65	6.98	6.14	1.79	6.72	6.01	1.95	6.20	5.63	2.11	5.76	5.34	2.33
530	16°C	21°C	6.38	4.53	1.49	6.15	4.41	1.61	5.92	4.29	1.74	5.68	4.17	1.89	5.21	3.88	2.05	4.81	3.66	2.26
		24°C	6.40	5.49	1.49	6.17	5.37	1.61	5.94	5.24	1.74	5.70	5.11	1.89	5.24	4.76	2.05	4.84	4.50	2.26
		27°C	6.48	6.24	1.49	6.26	6.10	1.61	6.05	5.94	1.75	5.83	5.76	1.90	5.38	5.35	2.06	5.01	5.01	2.27
		30°C	6.75	6.75	1.50	6.55	6.55	1.63	6.35	6.35	1.76	6.15	6.15	1.92	5.70	5.70	2.08	5.32	5.32	2.30
	19°C	24°C	7.03	4.28	1.51	6.78	4.17	1.64	6.53	4.07	1.77	6.26	3.95	1.92	5.75	3.68	2.08	5.31	3.47	2.30
		27°C	7.04	4.93	1.51	6.79	4.82	1.64	6.54	4.71	1.77	6.28	4.60	1.92	5.77	4.30	2.09	5.33	4.07	2.30
		30°C	7.08	6.08	1.51	6.83	5.95	1.64	6.59	5.82	1.78	6.34	5.68	1.93	5.83	5.31	2.09	5.41	5.02	2.30
		33°C	7.20	7.20	1.52	6.98	6.98	1.65	6.75	6.75	1.79	6.53	6.53	1.94	6.05	6.05	2.11	5.65	5.65	2.32
	22°C	27°C	7.73	4.19	1.54	7.45	4.09	1.67	7.18	3.99	1.81	6.89	3.88	1.96	6.33	3.62	2.13	5.86	3.42	2.34
		30°C	7.74	5.15	1.54	7.46	5.04	1.67	7.18	4.93	1.81	6.90	4.81	1.96	6.34	4.51	2.13	5.87	4.28	2.34
		33°C	7.75	6.03	1.54	7.48	5.91	1.67	7.21	5.79	1.81	6.92	5.67	1.96	6.37	5.32	2.13	5.90	5.05	2.35
		36°C	7.80	6.82	1.54	7.55	6.69	1.67	7.28	6.55	1.81	7.02	6.39	1.97	6.47	5.98	2.14	6.04	5.65	2.36
600	16°C	21°C	6.62	4.72	1.50	6.38	4.60	1.62	6.13	4.48	1.76	5.88	4.36	1.90	5.39	4.06	2.06	4.97	3.82	2.28
		24°C	6.65	5.74	1.50	6.41	5.60	1.62	6.17	5.47	1.76	5.92	5.32	1.91	5.44	4.97	2.07	5.02	4.68	2.28
		27°C	6.76	6.58	1.51	6.54	6.41	1.63	6.32	6.23	1.77	6.09	6.04	1.92	5.63	5.59	2.08	5.25	5.22	2.30
		30°C	7.10	7.10	1.52	6.89	6.89	1.65	6.68	6.68	1.78	6.46	6.46	1.94	5.98	5.98	2.10	5.59	5.59	2.32
	19°C	24°C	7.29	4.53	1.52	7.02	4.42	1.65	6.75	4.31	1.79	6.48	4.19	1.94	5.95	3.90	2.10	5.49	3.68	2.32
		27°C	7.31	5.24	1.53	7.04	5.12	1.65	6.78	5.00	1.79	6.51	4.88	1.94	5.97	4.56	2.10	5.52	4.32	2.32
		30°C	7.37	6.45	1.53	7.11	6.31	1.65	6.85	6.17	1.79	6.59	6.01	1.94	6.07	5.61	2.11	5.63	5.29	2.33
		33°C	7.53	7.53	1.54	7.31	7.31	1.66	7.08	7.08	1.81	6.85	6.85	1.96	6.34	6.34	2.13	5.93	5.93	2.35
	22°C	27°C	7.99	4.43	1.55	7.71	4.33	1.68	7.42	4.23	1.82	7.12	4.12	1.98	6.54	3.84	2.14	6.05	3.63	2.36
		30°C	8.01	5.46	1.55	7.73	5.36	1.68	7.43	5.24	1.82	7.14	5.12	1.98	6.56	4.80	2.15	6.06	4.55	2.36
		33°C	8.04	6.40	1.56	7.76	6.29	1.69	7.48	6.16	1.83	7.18	6.02	1.98	6.61	5.65	2.15	6.12	5.36	2.37
		36°C	8.11	7.23	1.56	7.86	7.10	1.69	7.58	6.94	1.83	7.31	6.77	1.99	6.76	6.32	2.16	6.30	5.95	2.38
680	16°C	21°C	6.62	4.76	1.51	6.38	4.65	1.63	6.15	4.54	1.76	5.91	4.42	1.92	5.43	4.12	2.09	5.01	3.88	2.32
		24°C	6.64	5.83	1.51	6.40	5.70	1.63	6.17	5.58	1.76	5.94	5.44	1.92	5.46	5.09	2.09	5.05	4.80	2.32
		27°C	6.75	6.68	1.52	6.54	6.51	1.64	6.33	6.33	1.77	6.12	6.12	1.93	5.67	5.67	2.10	5.30	5.30	2.34
		30°C	7.11	7.11	1.53	6.91	6.91	1.65	6.72	6.72	1.79	6.51	6.51	1.95	6.04	6.04	2.12	5.65	5.65	2.36
	19°C	24°C	7.28	4.57	1.54	7.03	4.46	1.66	6.78	4.35	1.79	6.52	4.24	1.95	5.99	3.96	2.12	5.55	3.74	2.35
		27°C	7.30	5.30	1.54	7.05	5.19	1.66	6.80	5.08	1.79	6.54	4.97	1.95	6.01	4.66	2.12	5.56	4.42	2.36
		30°C	7.34	6.58	1.54	7.09	6.44	1.66	6.85	6.30	1.80	6.61	6.15	1.95	6.10	5.75	2.13	5.68	5.42	2.36
		33°C	7.54	7.54	1.55	7.32	7.32	1.67	7.11	7.11	1.81	6.90	6.90	1.97	6.41	6.41	2.15	6.01	6.01	2.39
	22°C	27°C	8.00	4.48	1.57	7.73	4.38	1.69	7.46	4.28	1.83	7.18	4.17	1.98	6.61	3.90	2.16	6.12	3.69	2.39
		30°C	8.02	5.54	1.57	7.75	5.43	1.69	7.47	5.32	1.83	7.19	5.20	1.98	6.62	4.88	2.16	6.14	4.64	2.39
		33°C	8.04	6.53	1.57	7.76	6.41	1.69	7.49	6.30	1.83	7.21	6.17	1.99	6.65	5.80	2.16	6.18	5.51	2.40
		36°C	8.12	7.40	1.57	7.86	7.25	1.70	7.60	7.10	1.84	7.36	6.93	1.99	6.81	6.47	2.17	6.38	6.11	2.41

HEATING MODE

ID DB°C	Outdoor WB°C													
	-9		-6		-5		6		12		15		18	
	TC(kW)	SC(kW)	TC(kW)	SC(kW)	TC(kW)	SC(kW)	TC(kW)	SC(kW)	TC(kW)	SC(kW)	TC(kW)	SC(kW)	TC(kW)	SC(kW)
15	3.497	3.497	3.958	3.958	4.112	4.112	5.802	5.802	6.724	6.724	7.185	7.185	7.646	7.646
17	3.405	3.405	4.08	4.08	4.016	4.016	5.795	5.795	6.613	6.613	7.071	7.071	7.529	7.529
19	3.314	3.314	4.201	4.201	3.921	3.921	5.788	5.788	6.501	6.501	6.956	6.956	7.412	7.412
21	3.222	3.222	4.138	4.138	3.825	3.825	5.697	5.697	6.389	6.389	6.842	6.842	7.294	7.294
23	3.13	3.13	3.889	3.889	3.73	3.73	5.52	5.52	6.278	6.278	6.727	6.727	7.177	7.177
25	3.039	3.039	3.64	3.64	3.634	3.634	5.343	5.343	6.166	6.166	6.613	6.613	7.06	7.06
27	2.947	2.947	3.391	3.391	3.539	3.539	5.167	5.167	6.054	6.054	6.498	6.498	6.942	6.942

FROST REGION

Remark:
AFR: Air flow rate (CFM)
EWB: Entering Wet Bulb Temp. (°C)
EDB: Entering Dry Bulb Temp. (°C)
TC: Total Cooling Capacity (kW)
SHC: Sensible Heat Capacity (kW)
PI: Power Input

Notes:
1. Ratings shown are gross capacities which do not include a deduction for indoor fan motor heat.
2. 6.51
3. Direct interpolation is permissible. Do not extrapolate.
4. Unit is able to operate at ambient from 0 °C to 46°C without pressure trip.

00065210AA2525

A5CK28ER / A5LC28CR
COOLING MODE

AFR (CFM)	EWB	EDB	Outdoor temperature																	
			19°C			25°C			30°C			35°C			40°C			46°C		
			TC	SHC	PI	TC	SHC	PI	TC	SHC	PI	TC	SHC	PI	TC	SHC	PI	TC	SHC	PI
620	16°C	21°C	7.46	5.49	2.12	7.20	5.35	2.29	6.93	5.21	2.48	6.65	5.06	2.69	6.11	4.71	2.92	5.64	4.43	3.22
		24°C	7.47	6.58	2.12	7.21	6.43	2.29	6.94	6.28	2.48	6.66	6.12	2.69	6.12	5.72	2.92	5.66	5.39	3.22
		27°C	7.53	7.46	2.12	7.28	7.28	2.30	7.03	7.03	2.49	6.76	6.76	2.70	6.24	6.24	2.93	5.80	5.80	3.23
		30°C	7.76	7.76	2.13	7.54	7.54	2.31	7.31	7.31	2.51	7.08	7.08	2.72	6.56	6.56	2.96	6.14	6.14	3.26
	19°C	24°C	8.23	5.13	2.15	7.94	5.00	2.33	7.65	4.87	2.53	7.35	4.73	2.74	6.75	4.40	2.97	6.24	4.15	3.28
		27°C	8.24	5.87	2.15	7.95	5.74	2.33	7.66	5.60	2.53	7.35	5.47	2.74	6.76	5.12	2.97	6.25	4.85	3.28
		30°C	8.25	7.24	2.15	7.97	7.09	2.33	7.68	6.93	2.53	7.39	6.76	2.74	6.81	6.32	2.98	6.31	5.99	3.28
		33°C	8.35	8.35	2.16	8.08	8.08	2.34	7.81	7.81	2.54	7.55	7.55	2.75	6.98	6.98	2.99	6.53	6.53	3.30
	22°C	27°C	9.06	5.02	2.19	8.74	4.90	2.38	8.42	4.78	2.58	8.10	4.64	2.79	7.44	4.33	3.03	6.89	4.08	3.34
		30°C	9.06	6.12	2.19	8.75	5.99	2.38	8.43	5.85	2.58	8.10	5.71	2.79	7.45	5.35	3.03	6.89	5.07	3.34
		33°C	9.06	7.14	2.19	8.75	7.01	2.38	8.43	6.87	2.58	8.10	6.73	2.79	7.46	6.32	3.03	6.91	6.00	3.34
		36°C	9.09	8.10	2.19	8.79	7.94	2.38	8.49	7.77	2.58	8.18	7.60	2.80	7.54	7.13	3.04	7.01	6.76	3.35
620	16°C	21°C	7.76	5.73	2.14	7.48	5.58	2.31	7.20	5.43	2.51	6.90	5.28	2.72	6.34	4.91	2.95	5.84	4.62	3.25
		24°C	7.79	6.95	2.14	7.51	6.79	2.31	7.23	6.62	2.51	6.93	6.46	2.72	6.37	6.02	2.95	5.89	5.69	3.25
		27°C	7.88	7.88	2.15	7.62	7.62	2.32	7.35	7.35	2.51	7.09	7.09	2.73	6.54	6.54	2.96	6.10	6.10	3.27
		30°C	8.21	8.21	2.16	7.97	7.97	2.34	7.73	7.73	2.54	7.48	7.48	2.75	6.93	6.93	2.99	6.48	6.48	3.30
	19°C	24°C	8.55	5.42	2.17	8.25	5.28	2.35	7.94	5.14	2.55	7.62	5.00	2.76	7.00	4.66	3.00	6.46	4.39	3.30
		27°C	8.57	6.24	2.17	8.26	6.10	2.35	7.95	5.96	2.55	7.63	5.82	2.77	7.01	5.44	3.00	6.48	5.15	3.31
		30°C	8.61	7.70	2.18	8.31	7.53	2.36	8.01	7.36	2.55	7.70	7.18	2.77	7.09	6.71	3.01	6.58	6.34	3.31
		33°C	8.75	8.75	2.18	8.48	8.48	2.37	8.21	8.21	2.57	7.94	7.94	2.79	7.36	7.36	3.03	6.88	6.88	3.34
	22°C	27°C	9.40	5.30	2.21	9.07	5.18	2.40	8.73	5.05	2.60	8.38	4.91	2.82	7.70	4.58	3.06	7.12	4.32	3.37
		30°C	9.41	6.51	2.21	9.08	6.37	2.40	8.74	6.23	2.60	8.39	6.09	2.82	7.71	5.70	3.06	7.13	5.41	3.37
		33°C	9.42	7.63	2.22	9.10	7.48	2.40	8.76	7.33	2.60	8.42	7.17	2.82	7.74	6.73	3.06	7.18	6.39	3.37
		36°C	9.48	8.62	2.22	9.18	8.46	2.41	8.86	8.28	2.61	8.53	8.09	2.83	7.87	7.57	3.07	7.34	7.14	3.39
725	16°C	21°C	8.05	5.97	2.16	7.76	5.82	2.33	7.46	5.67	2.53	7.15	5.51	2.74	6.56	5.13	2.97	6.04	4.83	3.27
		24°C	8.09	7.26	2.16	7.80	7.09	2.33	7.51	6.91	2.53	7.20	6.73	2.74	6.61	6.28	2.97	6.11	5.92	3.28
		27°C	8.22	8.22	2.17	7.95	7.95	2.34	7.69	7.69	2.54	7.41	7.41	2.76	6.85	6.85	2.99	6.38	6.38	3.30
		30°C	8.63	8.63	2.18	8.38	8.38	2.37	8.12	8.12	2.57	7.86	7.86	2.79	7.27	7.27	3.03	6.79	6.79	3.34
	19°C	24°C	8.86	5.73	2.19	8.54	5.59	2.37	8.22	5.45	2.57	7.88	5.30	2.79	7.23	4.94	3.02	6.68	4.66	3.33
		27°C	8.89	6.63	2.19	8.57	6.48	2.37	8.25	6.33	2.57	7.91	6.17	2.79	7.27	5.77	3.03	6.71	5.46	3.33
		30°C	8.96	8.16	2.20	8.64	7.98	2.38	8.33	7.80	2.58	8.01	7.60	2.80	7.38	7.10	3.03	6.85	6.69	3.35
		33°C	9.15	9.15	2.21	8.89	8.89	2.39	8.61	8.61	2.60	8.33	8.33	2.82	7.72	7.72	3.06	7.22	7.22	3.38
	22°C	27°C	9.72	5.61	2.23	9.38	5.48	2.42	9.02	5.35	2.62	8.66	5.21	2.84	7.96	4.86	3.08	7.35	4.59	3.39
		30°C	9.74	6.91	2.23	9.40	6.78	2.42	9.04	6.63	2.62	8.68	6.48	2.84	7.97	6.07	3.08	7.38	5.75	3.40
		33°C	9.78	8.10	2.24	9.44	7.96	2.42	9.09	7.79	2.63	8.73	7.62	2.85	8.04	7.14	3.09	7.44	6.78	3.40
		36°C	9.86	9.15	2.24	9.55	8.98	2.43	9.22	8.78	2.64	8.89	8.56	2.86	8.22	7.99	3.11	7.66	7.52	3.43
860	16°C	21°C	8.05	6.03	2.18	7.76	5.88	2.34	7.48	5.74	2.54	7.19	5.59	2.75	6.60	5.21	3.00	6.10	4.90	3.34
		24°C	8.08	7.37	2.18	7.79	7.21	2.35	7.51	7.05	2.54	7.22	6.89	2.76	6.64	6.44	3.00	6.15	6.08	3.34
		27°C	8.21	8.21	2.18	7.96	7.96	2.35	7.70	7.70	2.55	7.45	7.45	2.77	6.90	6.90	3.02	6.45	6.45	3.36
		30°C	8.65	8.65	2.20	8.41	8.41	2.38	8.17	8.17	2.57	7.91	7.91	2.80	7.34	7.34	3.05	6.87	6.87	3.40
	19°C	24°C	8.86	5.78	2.21	8.55	5.64	2.38	8.25	5.51	2.58	7.93	5.37	2.80	7.29	5.01	3.05	6.75	4.74	3.39
		27°C	8.88	6.70	2.22	8.57	6.56	2.39	8.27	6.42	2.58	7.95	6.28	2.80	7.31	5.89	3.05	6.77	5.59	3.39
		30°C	8.93	8.33	2.22	8.63	8.15	2.39	8.34	7.98	2.58	8.04	7.79	2.81	7.42	7.28	3.06	6.91	6.86	3.40
		33°C	9.17	9.17	2.23	8.90	8.90	2.40	8.65	8.65	2.60	8.39	8.39	2.83	7.80	7.80	3.09	7.31	7.31	3.43
	22°C	27°C	9.74	5.67	2.26	9.40	5.54	2.43	9.07	5.41	2.63	8.73	5.28	2.85	8.04	4.93	3.10	7.45	4.67	3.44
		30°C	9.76	7.01	2.26	9.42	6.87	2.43	9.09	6.72	2.63	8.75	6.58	2.85	8.05	6.17	3.11	7.47	5.87	3.44
		33°C	9.78	8.26	2.26	9.44	8.11	2.43	9.11	7.97	2.63	8.77	7.81	2.86	8.09	7.34	3.11	7.51	6.97	3.45
		36°C	9.87	9.36	2.26	9.56	9.17	2.44	9.25	8.98	2.64	8.95	8.76	2.87	8.29	8.19	3.12	7.76	7.73	3.47

HEATING MODE

ID DB°C	Outdoor WB°C													
	-9		-6		-5		6		12		15		18	
	TC(kW)	SC(kW)	TC(kW)	SC(kW)	TC(kW)	SC(kW)	TC(kW)	SC(kW)	TC(kW)	SC(kW)	TC(kW)	SC(kW)	TC(kW)	SC(kW)
15	4.889	4.889	5.534	5.534	5.749	5.749	8.112	8.112	9.401	9.401	10.046	10.046	10.69	10.69
17	4.761	4.761	5.326	5.326	5.631	5.631	8.102	8.102	9.328	9.328	9.981	9.981	10.633	10.633
19	4.633	4.633	5.119	5.119	5.513	5.513	8.093	8.093	9.255	9.255	9.915	9.915	10.576	10.576
21	4.505	4.505	4.986	4.986	5.396	5.396	8.015	8.015	9.182	9.182	9.85	9.85	10.518	10.518
23	4.377	4.377	4.928	4.928	5.278	5.278	7.87	7.87	9.109	9.109	9.785	9.785	10.461	10.461
25	4.248	4.248	4.87	4.87	5.16	5.16	7.725	7.725	9.036	9.036	9.72	9.72	10.404	10.404
27	4.12	4.12	4.812	4.812	5.043	5.043	7.579	7.579	8.963	8.963	9.655	9.655	10.346	10.346

FROST REGION

Remark:
AFR: Air flow rate (CFM)
EWB: Entering Wet Bulb Temp. (°C)
EDB: Entering Dry Bulb Temp. (°C)
TC: Total Cooling Capacity (kW)
SHC: Sensible Heat Capacity (kW)
PI: Power Input

Notes:
1. Ratings shown are gross capacities which do not include a deduction for indoor fan motor heat.
2.
3. Direct interpolation is permissible. Do not extrapolate.
4. Unit is able to operate at ambient from 0 °C to 46°C without pressure trip.

00065210AA2828

A5CK40ER / A5LC35DR
COOLING MODE

AFR (CFM)	EWB	EDB	Outdoor temperature																	
			19°C			25°C			30°C			35°C			40°C			46°C		
			TC	SHC	PI	TC	SHC	PI	TC	SHC	PI	TC	SHC	PI	TC	SHC	PI	TC	SHC	PI
620	16°C	21°C	8.07	6.16	2.14	7.78	6.00	2.32	7.49	5.84	2.51	7.19	5.67	2.72	6.60	5.28	2.95	6.10	4.97	3.25
		24°C	8.08	7.38	2.14	7.79	7.21	2.32	7.50	7.05	2.51	7.20	6.87	2.72	6.62	6.42	2.95	6.12	6.05	3.26
		27°C	8.14	8.14	2.15	7.87	7.87	2.32	7.60	7.60	2.52	7.31	7.31	2.73	6.74	6.74	2.96	6.27	6.27	3.27
		30°C	8.39	8.39	2.16	8.15	8.15	2.34	7.91	7.91	2.53	7.65	7.65	2.75	7.09	7.09	2.99	6.63	6.63	3.30
	19°C	24°C	8.90	5.76	2.18	8.59	5.61	2.36	8.27	5.46	2.55	7.94	5.31	2.77	7.30	4.94	3.00	6.75	4.65	3.31
		27°C	8.91	6.59	2.18	8.59	6.44	2.36	8.28	6.29	2.55	7.95	6.14	2.77	7.31	5.74	3.00	6.76	5.44	3.31
		30°C	8.92	8.13	2.18	8.61	7.95	2.36	8.31	7.78	2.56	7.99	7.59	2.77	7.36	7.10	3.01	6.83	6.72	3.32
		33°C	9.03	9.03	2.18	8.73	8.73	2.36	8.45	8.45	2.56	8.16	8.16	2.78	7.55	7.55	3.02	7.06	7.06	3.34
	22°C	27°C	9.79	5.63	2.22	9.45	5.50	2.40	9.11	5.36	2.60	8.75	5.21	2.82	8.05	4.86	3.06	7.45	4.58	3.37
		30°C	9.79	6.87	2.22	9.46	6.72	2.40	9.11	6.57	2.60	8.75	6.41	2.82	8.05	6.00	3.06	7.45	5.69	3.37
		33°C	9.80	8.02	2.22	9.46	7.87	2.40	9.12	7.71	2.60	8.76	7.55	2.82	8.06	7.09	3.06	7.47	6.73	3.38
		36°C	9.83	9.09	2.22	9.51	8.91	2.40	9.18	8.72	2.61	8.84	8.53	2.83	8.15	8.00	3.07	7.58	7.58	3.39
740	16°C	21°C	8.40	6.43	2.16	8.09	6.26	2.34	7.79	6.10	2.53	7.47	5.93	2.75	6.85	5.52	2.98	6.32	5.19	3.28
		24°C	8.42	7.81	2.16	8.12	7.62	2.34	7.81	7.44	2.53	7.50	7.25	2.75	6.89	6.77	2.98	6.37	6.37	3.29
		27°C	8.52	8.52	2.17	8.24	8.24	2.35	7.95	7.95	2.54	7.67	7.67	2.76	7.08	7.08	2.99	6.59	6.59	3.30
		30°C	8.88	8.88	2.18	8.62	8.62	2.36	8.36	8.36	2.56	8.09	8.09	2.78	7.49	7.49	3.03	7.00	7.00	3.34
	19°C	24°C	9.25	6.08	2.20	8.92	5.93	2.38	8.59	5.78	2.58	8.24	5.62	2.79	7.57	5.23	3.03	6.99	4.93	3.34
		27°C	9.27	7.01	2.20	8.93	6.85	2.38	8.60	6.70	2.58	8.26	6.54	2.80	7.59	6.11	3.03	7.01	5.79	3.34
		30°C	9.31	8.64	2.20	8.99	8.46	2.38	8.66	8.27	2.58	8.33	8.07	2.80	7.67	7.54	3.04	7.12	7.12	3.35
		33°C	9.46	9.46	2.21	9.18	9.18	2.39	8.88	8.88	2.60	8.59	8.59	2.82	7.96	7.96	3.06	7.44	7.44	3.38
	22°C	27°C	10.16	5.96	2.24	9.80	5.82	2.42	9.44	5.67	2.63	9.06	5.52	2.85	8.33	5.14	3.09	7.70	4.85	3.40
		30°C	10.17	7.31	2.24	9.82	7.16	2.42	9.45	7.00	2.63	9.08	6.83	2.85	8.34	6.40	3.09	7.72	6.07	3.41
		33°C	10.19	8.56	2.24	9.84	8.40	2.43	9.48	8.23	2.63	9.10	8.05	2.85	8.38	7.55	3.10	7.76	7.17	3.41
		36°C	10.26	9.68	2.24	9.92	9.50	2.43	9.58	9.30	2.64	9.23	9.08	2.86	8.52	8.50	3.11	7.94	7.94	3.43
860	16°C	21°C	8.71	6.71	2.18	8.39	6.54	2.36	8.07	6.37	2.55	7.73	6.19	2.77	7.09	5.76	3.00	6.54	5.43	3.31
		24°C	8.75	8.15	2.18	8.43	7.96	2.36	8.12	7.77	2.56	7.79	7.56	2.77	7.15	7.06	3.01	6.61	6.61	3.31
		27°C	8.89	8.89	2.19	8.60	8.60	2.37	8.31	8.31	2.57	8.01	8.01	2.79	7.41	7.41	3.02	6.90	6.90	3.34
		30°C	9.34	9.34	2.21	9.06	9.06	2.39	8.79	8.79	2.59	8.50	8.50	2.82	7.87	7.87	3.06	7.35	7.35	3.38
	19°C	24°C	9.58	6.44	2.22	9.24	6.28	2.40	8.89	6.12	2.60	8.52	5.95	2.82	7.82	5.55	3.06	7.22	5.23	3.37
		27°C	9.61	7.45	2.22	9.27	7.28	2.40	8.92	7.11	2.60	8.56	6.93	2.82	7.86	6.48	3.06	7.26	6.13	3.37
		30°C	9.69	9.16	2.22	9.35	8.96	2.41	9.01	8.76	2.61	8.67	8.54	2.83	7.98	7.98	3.07	7.41	7.41	3.38
		33°C	9.90	9.90	2.23	9.61	9.61	2.42	9.31	9.31	2.62	9.01	9.01	2.85	8.34	8.34	3.10	7.80	7.80	3.42
	22°C	27°C	10.52	6.30	2.26	10.14	6.16	2.45	9.76	6.00	2.65	9.37	5.85	2.87	8.60	5.45	3.12	7.95	5.15	3.43
		30°C	10.54	7.76	2.26	10.16	7.62	2.45	9.78	7.45	2.65	9.39	7.28	2.88	8.62	6.82	3.12	7.98	6.46	3.43
		33°C	10.57	9.10	2.26	10.21	8.94	2.45	9.83	8.75	2.66	9.45	8.56	2.88	8.69	8.02	3.12	8.05	7.61	3.44
		36°C	10.67	10.27	2.27	10.33	10.08	2.46	9.98	9.86	2.66	9.62	9.62	2.89	8.89	8.89	3.14	8.29	8.29	3.46
1030	16°C	21°C	8.71	6.77	2.20	8.40	6.61	2.37	8.09	6.44	2.56	7.77	6.27	2.78	7.14	5.85	3.03	6.60	5.51	3.37
		24°C	8.74	8.28	2.20	8.42	8.10	2.37	8.12	7.92	2.56	7.81	7.73	2.79	7.18	7.18	3.04	6.65	6.65	3.38
		27°C	8.88	8.88	2.21	8.61	8.61	2.38	8.33	8.33	2.58	8.05	8.05	2.80	7.46	7.46	3.06	6.97	6.97	3.40
		30°C	9.36	9.36	2.23	9.10	9.10	2.40	8.83	8.83	2.60	8.56	8.56	2.83	7.94	7.94	3.09	7.43	7.43	3.43
	19°C	24°C	9.58	6.49	2.24	9.25	6.34	2.41	8.92	6.18	2.61	8.57	6.03	2.83	7.89	5.63	3.08	7.30	5.32	3.42
		27°C	9.61	7.53	2.24	9.27	7.37	2.41	8.94	7.22	2.61	8.60	7.06	2.83	7.91	6.61	3.08	7.32	6.28	3.42
		30°C	9.65	9.35	2.24	9.33	9.15	2.41	9.02	8.96	2.61	8.69	8.69	2.84	8.03	8.03	3.09	7.48	7.48	3.44
		33°C	9.91	9.91	2.25	9.63	9.63	2.43	9.36	9.36	2.63	9.08	9.08	2.86	8.43	8.43	3.12	7.90	7.90	3.47
	22°C	27°C	10.53	6.37	2.28	10.17	6.22	2.46	9.81	6.08	2.66	9.44	5.92	2.88	8.69	5.54	3.14	8.06	5.24	3.48
		30°C	10.55	7.87	2.28	10.19	7.71	2.46	9.83	7.55	2.66	9.46	7.39	2.88	8.71	6.93	3.14	8.07	6.59	3.48
		33°C	10.58	9.28	2.28	10.21	9.11	2.46	9.85	8.95	2.66	9.49	8.77	2.89	8.74	8.25	3.14	8.13	7.83	3.48
		36°C	10.68	10.51	2.29	10.34	10.30	2.47	10.00	10.00	2.67	9.68	9.68	2.90	8.97	8.97	3.16	8.39	8.39	3.51

HEATING MODE

ID DB°C	Outdoor WB°C													
	-9		-6		-5		6		12		15		18	
	TC(kW)	SC(kW)	TC(kW)	SC(kW)	TC(kW)	SC(kW)	TC(kW)	SC(kW)	TC(kW)	SC(kW)	TC(kW)	SC(kW)	TC(kW)	SC(kW)
15	5.527	5.527	6.256	6.256	6.499	6.499	9.171	9.171	10.628	10.628	11.357	11.357	12.085	12.085
17	5.382	5.382	5.751	5.751	6.383	6.383	9.16	9.16	10.633	10.633	11.383	11.383	12.133	12.133
19	5.238	5.238	5.247	5.247	6.266	6.266	9.149	9.149	10.637	10.637	11.409	11.409	12.18	12.18
21	5.093	5.093	5.069	5.069	6.15	6.15	9.115	9.115	10.642	10.642	11.435	11.435	12.228	12.228
23	4.948	4.948	5.217	5.217	6.033	6.033	9.057	9.057	10.647	10.647	11.461	11.461	12.275	12.275
25	4.803	4.803	5.366	5.366	5.917	5.917	9	9	10.652	10.652	11.487	11.487	12.323	12.323
27	4.658	4.658	5.515	5.515	5.801	5.801	8.943	8.943	10.656	10.656	11.513	11.513	12.37	12.37

FROST REGION

Remark:
AFR: Air flow rate (CFM)
EWB: Entering Wet Bulb Temp. (°C)
EDB: Entering Dry Bulb Temp. (°C)
TC: Total Cooling Capacity (kW)
SHC: Sensible Heat Capacity (kW)
PI: Power Input

Notes:
1. Ratings shown are gross capacities which do not include a deduction for indoor fan motor heat.
2.
3. Direct interpolation is permissible. Do not extrapolate.
4. Unit is able to operate at ambient from 0 °C to 46°C without pressure trip.

00065210AB4035

A5CK40ER / A5LC35DR (3 Phase)

COOLING MODE

AFR (CFM)	EWB	EDB	Outdoor temperature																		
			19°C			25°C			30°C			35°C			40°C			46°C			
			TC	SHC	PI	TC	SHC	PI	TC	SHC	PI	TC	SHC	PI	TC	SHC	PI	TC	SHC	PI	
620	16°C	21°C	8.57	6.14	2.10	8.26	5.98	2.28	7.96	5.82	2.47	7.64	5.65	2.67	7.01	5.26	2.90	6.47	4.95	3.20	
		24°C	8.58	7.35	2.11	8.27	7.19	2.28	7.97	7.02	2.47	7.65	6.84	2.67	7.03	6.39	2.90	6.50	6.03	3.20	
		27°C	8.65	8.34	2.11	8.36	8.15	2.28	8.06	7.96	2.47	7.76	7.75	2.68	7.16	7.16	2.91	6.66	6.66	3.21	
	19°C	30°C	8.91	8.91	2.12	8.66	8.66	2.29	8.39	8.39	2.49	8.12	8.12	2.70	7.53	7.53	2.93	7.04	7.04	3.24	
		24°C	9.45	5.73	2.14	9.12	5.59	2.31	8.78	5.44	2.51	8.44	5.29	2.72	7.75	4.92	2.95	7.17	4.64	3.25	
		27°C	9.45	6.56	2.14	9.12	6.41	2.31	8.79	6.27	2.51	8.44	6.11	2.72	7.76	5.72	2.95	7.18	5.42	3.25	
	22°C	30°C	9.47	8.09	2.14	9.14	7.92	2.32	8.82	7.75	2.51	8.48	7.56	2.72	7.81	7.07	2.95	7.25	6.69	3.26	
		33°C	9.58	9.58	2.14	9.27	9.27	2.32	8.97	8.97	2.52	8.66	8.66	2.73	8.02	8.02	2.97	7.49	7.49	3.28	
		27°C	10.39	5.61	2.18	10.04	5.48	2.36	9.67	5.34	2.56	9.29	5.19	2.77	8.54	4.84	3.01	7.91	4.56	3.31	
	740	16°C	30°C	10.40	6.84	2.18	10.04	6.69	2.36	9.67	6.54	2.56	9.29	6.39	2.77	8.55	5.98	3.01	7.91	5.67	3.31
			33°C	10.40	7.99	2.18	10.04	7.83	2.36	9.68	7.68	2.56	9.30	7.52	2.77	8.56	7.06	3.01	7.93	6.71	3.32
			36°C	10.44	9.06	2.18	10.09	8.88	2.36	9.74	8.69	2.56	9.39	8.50	2.78	8.66	7.97	3.02	8.05	7.56	3.33
19°C		21°C	8.91	6.41	2.12	8.59	6.24	2.30	8.27	6.07	2.49	7.93	5.90	2.70	7.27	5.50	2.92	6.71	5.17	3.22	
		24°C	8.94	7.78	2.12	8.62	7.59	2.30	8.30	7.41	2.49	7.96	7.22	2.70	7.31	6.74	2.93	6.76	6.36	3.23	
		27°C	9.05	8.83	2.13	8.74	8.62	2.30	8.44	8.40	2.50	8.14	8.14	2.71	7.51	7.51	2.94	7.00	7.00	3.25	
22°C		30°C	9.43	9.43	2.14	9.15	9.15	2.32	8.87	8.87	2.52	8.59	8.59	2.74	7.95	7.95	2.97	7.44	7.44	3.28	
		24°C	9.82	6.06	2.16	9.47	5.91	2.34	9.11	5.75	2.53	8.75	5.60	2.74	8.03	5.21	2.98	7.42	4.91	3.28	
		27°C	9.84	6.98	2.16	9.49	6.83	2.34	9.13	6.67	2.53	8.77	6.51	2.75	8.05	6.09	2.98	7.44	5.76	3.28	
860		16°C	30°C	9.88	8.61	2.16	9.54	8.42	2.34	9.20	8.24	2.54	8.85	8.03	2.75	8.15	7.51	2.98	7.56	7.10	3.29
			33°C	10.05	10.05	2.17	9.74	9.74	2.35	9.43	9.43	2.55	9.12	9.12	2.77	8.45	8.45	3.01	7.90	7.90	3.32
			27°C	10.79	5.93	2.20	10.41	5.79	2.38	10.02	5.65	2.58	9.62	5.49	2.80	8.84	5.12	3.04	8.18	4.84	3.34
	19°C	30°C	10.80	7.28	2.20	10.42	7.13	2.38	10.03	6.97	2.58	9.64	6.81	2.80	8.86	6.38	3.04	8.19	6.05	3.34	
		33°C	10.82	8.53	2.20	10.45	8.37	2.38	10.06	8.20	2.58	9.67	8.02	2.80	8.89	7.53	3.04	8.24	7.15	3.35	
		27°C	10.89	9.64	2.20	10.54	9.46	2.39	10.17	9.26	2.59	9.80	9.05	2.81	9.04	8.47	3.05	8.43	7.99	3.37	
	22°C	21°C	9.24	6.68	2.14	8.90	6.51	2.32	8.56	6.34	2.51	8.21	6.17	2.72	7.53	5.74	2.95	6.94	5.40	3.25	
		24°C	9.29	8.12	2.14	8.95	7.93	2.32	8.62	7.74	2.51	8.27	7.53	2.72	7.59	7.03	2.95	7.02	6.63	3.25	
		27°C	9.44	9.31	2.15	9.13	9.07	2.33	8.82	8.81	2.52	8.51	8.51	2.74	7.86	7.86	2.97	7.33	7.33	3.28	
	1030	16°C	30°C	9.91	9.91	2.17	9.62	9.62	2.35	9.33	9.33	2.55	9.02	9.02	2.77	8.35	8.35	3.01	7.80	7.80	3.32
			24°C	10.17	6.41	2.18	9.81	6.25	2.36	9.43	6.09	2.55	9.05	5.93	2.77	8.30	5.53	3.00	7.67	5.21	3.31
			27°C	10.20	7.42	2.18	9.84	7.25	2.36	9.47	7.08	2.55	9.09	6.91	2.77	8.34	6.46	3.00	7.71	6.11	3.31
19°C		30°C	10.29	9.13	2.18	9.92	8.93	2.36	9.57	8.73	2.56	9.20	8.51	2.78	8.47	7.95	3.01	7.87	7.49	3.32	
		33°C	10.51	10.51	2.19	10.20	10.20	2.38	9.89	9.89	2.58	9.56	9.56	2.80	8.86	8.86	3.04	8.29	8.29	3.36	
		27°C	11.16	6.27	2.22	10.77	6.13	2.40	10.36	5.98	2.60	9.95	5.82	2.82	9.14	5.43	3.06	8.44	5.13	3.37	
22°C		30°C	11.19	7.73	2.22	10.79	7.59	2.40	10.38	7.42	2.60	9.97	7.25	2.82	9.16	6.79	3.06	8.47	6.44	3.37	
		33°C	11.23	9.06	2.22	10.84	8.90	2.41	10.44	8.72	2.61	10.03	8.52	2.83	9.23	7.99	3.07	8.55	7.58	3.38	
		36°C	11.33	10.23	2.23	10.97	10.05	2.41	10.59	9.83	2.62	10.21	9.58	2.84	9.43	8.94	3.08	8.80	8.41	3.40	
1030		16°C	21°C	9.24	6.74	2.16	8.92	6.58	2.33	8.59	6.42	2.52	8.25	6.25	2.74	7.58	5.82	2.98	7.00	5.49	3.31
			24°C	9.27	8.24	2.16	8.94	8.07	2.33	8.62	7.89	2.52	8.29	7.70	2.74	7.62	7.21	2.98	7.06	6.80	3.32
			27°C	9.43	9.43	2.17	9.14	9.14	2.34	8.85	8.85	2.53	8.55	8.55	2.75	7.92	7.92	3.00	7.40	7.40	3.34
	19°C	30°C	9.94	9.94	2.19	9.66	9.66	2.36	9.38	9.38	2.56	9.09	9.09	2.78	8.43	8.43	3.03	7.89	7.89	3.37	
		24°C	10.17	6.47	2.20	9.82	6.31	2.37	9.47	6.16	2.56	9.10	6.00	2.78	8.37	5.61	3.03	7.75	5.30	3.36	
		27°C	10.20	7.50	2.20	9.84	7.34	2.37	9.49	7.19	2.56	9.13	7.03	2.78	8.40	6.59	3.03	7.77	6.26	3.36	
	22°C	30°C	10.25	9.32	2.20	9.91	9.12	2.37	9.57	8.92	2.57	9.23	8.71	2.79	8.52	8.14	3.04	7.94	7.67	3.37	
		33°C	10.52	10.52	2.21	10.22	10.22	2.39	9.94	9.94	2.58	9.64	9.64	2.81	8.95	8.95	3.06	8.39	8.39	3.41	
		27°C	11.18	6.34	2.24	10.79	6.20	2.41	10.42	6.05	2.61	10.02	5.90	2.83	9.23	5.52	3.08	8.55	5.22	3.42	
	22°C	30°C	11.20	7.84	2.24	10.82	7.68	2.41	10.44	7.52	2.61	10.04	7.36	2.83	9.25	6.91	3.08	8.57	6.57	3.42	
		33°C	11.23	9.24	2.24	10.84	9.08	2.42	10.46	8.91	2.61	10.07	8.74	2.84	9.28	8.21	3.09	8.63	7.80	3.42	
		36°C	11.33	10.47	2.25	10.97	10.26	2.42	10.62	10.05	2.62	10.28	9.80	2.85	9.52	9.16	3.10	8.91	8.65	3.44	

HEATING MODE

ID DB°C	Outdoor WB°C													
	-9		-6		-5		6		12		15		18	
	TC(kW)	SC(kW)	TC(kW)	SC(kW)	TC(kW)	SC(kW)	TC(kW)	SC(kW)	TC(kW)	SC(kW)	TC(kW)	SC(kW)	TC(kW)	SC(kW)
15	5.807	5.807	6.573	6.573	6.828	6.828	9.635	9.635	11.167	11.167	11.932	11.932	12.698	12.698
17	5.655	5.655	6.419	6.419	6.672	6.672	9.624	9.624	10.993	10.993	11.755	11.755	12.518	12.518
19	5.503	5.503	6.265	6.265	6.516	6.516	9.612	9.612	10.819	10.819	11.578	11.578	12.338	12.338
21	5.351	5.351	6.111	6.111	6.359	6.359	9.467	9.467	10.645	10.645	11.401	11.401	12.158	12.158
23	5.199	5.199	5.954	5.954	6.203	6.203	9.188	9.188	10.471	10.471	11.224	11.224	11.977	11.977
25	5.046	5.046	5.797	5.797	6.046	6.046	8.908	8.908	10.297	10.297	11.047	11.047	11.797	11.797
27	4.894	4.894	5.641	5.641	5.89	5.89	8.629	8.629	10.123	10.123	10.87	10.87	11.617	11.617
FROST REGION														

Remark:

- AFR: Air flow rate (CFM)
- EWB: Entering Wet Bulb Temp. (°C)
- EDB: Entering Dry Bulb Temp. (°C)
- TC: Total Cooling Capacity (kW)
- SHC: Sensible Heat Capacity (kW)
- PI: Power Input

Notes:

1. Ratings shown are gross capacities which do not include a deduction for indoor fan motor heat.
2. [Blue highlighted cell]
3. Direct interpolation is permissible. Do not extrapolate.
4. Unit is able to operate at ambient from 0 °C to 46°C without pressure trip.

00065220AB4035

A5CK40ER / A5LC40DR

COOLING MODE

AFR (CFM)	EWB	EDB	Outdoor temperature																		
			19°C			25°C			30°C			35°C			40°C			46°C			
			TC	SHC	PI	TC	SHC	PI	TC	SHC	PI	TC	SHC	PI	TC	SHC	PI	TC	SHC	PI	
620	16°C	21°C	10.78	7.12	2.98	10.39	6.93	3.22	10.01	6.74	3.49	9.61	6.55	3.78	8.82	6.10	4.10	8.14	5.73	4.52	
		24°C	10.79	8.52	2.98	10.41	8.33	3.22	10.02	8.13	3.49	9.62	7.93	3.78	8.84	7.41	4.11	8.18	6.99	4.53	
		27°C	10.88	9.66	2.98	10.51	9.44	3.23	10.14	9.22	3.50	9.76	8.98	3.79	9.01	8.36	4.12	8.38	7.85	4.54	
	19°C	30°C	11.21	11.21	3.00	10.89	10.89	3.25	10.56	10.56	3.52	10.22	10.22	3.82	9.47	9.47	4.15	8.86	8.86	4.59	
		24°C	11.89	6.64	3.03	11.47	6.47	3.28	11.05	6.30	3.55	10.61	6.12	3.85	9.75	5.70	4.18	9.02	5.37	4.60	
		27°C	11.89	7.60	3.03	11.48	7.43	3.28	11.06	7.26	3.55	10.62	7.08	3.85	9.76	6.63	4.18	9.03	6.28	4.60	
	22°C	30°C	11.91	9.38	3.03	11.50	9.18	3.28	11.09	8.98	3.55	10.67	8.76	3.85	9.83	8.19	4.18	9.12	7.75	4.61	
		33°C	12.05	12.05	3.03	11.66	11.66	3.29	11.28	11.28	3.56	10.90	10.90	3.87	10.08	10.08	4.20	9.43	9.43	4.64	
		27°C	13.08	6.50	3.08	12.62	6.34	3.34	12.16	6.19	3.62	11.69	6.02	3.92	10.75	5.61	4.26	9.95	5.28	4.69	
	740	16°C	30°C	13.08	7.92	3.08	12.63	7.75	3.34	12.17	7.58	3.62	11.69	7.40	3.92	10.75	6.93	4.26	9.95	6.57	4.69
			33°C	13.09	9.25	3.08	12.63	9.08	3.34	12.17	8.90	3.62	11.70	8.71	3.93	10.77	8.18	4.26	9.98	7.77	4.69
			36°C	13.13	10.49	3.08	12.70	10.28	3.34	12.26	10.07	3.62	11.81	9.85	3.93	10.89	9.23	4.27	10.13	8.76	4.71
19°C		21°C	11.21	7.42	3.01	10.81	7.23	3.25	10.40	7.04	3.52	9.97	6.84	3.82	9.15	6.37	4.14	8.44	5.99	4.56	
		24°C	11.25	9.01	3.01	10.84	8.80	3.25	10.44	8.59	3.52	10.02	8.37	3.82	9.20	7.81	4.14	8.51	7.37	4.57	
		27°C	11.38	10.23	3.01	11.00	9.99	3.26	10.62	9.74	3.53	10.24	9.45	3.83	9.45	8.77	4.16	8.81	8.21	4.59	
22°C		30°C	11.86	11.86	3.03	11.51	11.51	3.29	11.16	11.16	3.56	10.80	10.80	3.87	10.01	10.01	4.21	9.35	9.35	4.64	
		24°C	12.35	7.02	3.05	11.91	6.85	3.31	11.47	6.67	3.58	11.01	6.48	3.88	10.11	6.04	4.21	9.34	5.69	4.64	
		27°C	12.37	8.09	3.06	11.93	7.91	3.31	11.49	7.73	3.58	11.03	7.55	3.89	10.13	7.05	4.21	9.37	6.68	4.64	
860		16°C	30°C	12.43	9.98	3.06	12.00	9.76	3.31	11.57	9.54	3.59	11.13	9.31	3.89	10.25	8.70	4.22	9.51	8.22	4.66
			33°C	12.64	12.64	3.07	12.26	12.26	3.33	11.87	11.87	3.61	11.47	11.47	3.92	10.63	10.63	4.26	9.93	9.93	4.70
			27°C	13.57	6.87	3.11	13.10	6.71	3.37	12.61	6.54	3.65	12.11	6.37	3.96	11.13	5.94	4.30	10.29	5.60	4.73
	19°C	30°C	13.59	8.44	3.11	13.11	8.26	3.37	12.62	8.08	3.65	12.12	7.89	3.96	11.14	7.39	4.30	10.31	7.01	4.73	
		33°C	13.61	9.89	3.11	13.14	9.70	3.37	12.66	9.50	3.66	12.16	9.30	3.97	11.19	8.72	4.30	10.37	8.28	4.74	
		36°C	13.70	11.17	3.12	13.26	10.96	3.38	12.79	10.73	3.67	12.33	10.48	3.98	11.37	9.81	4.32	10.60	9.26	4.76	
	22°C	21°C	11.63	7.74	3.03	11.20	7.55	3.28	10.77	7.35	3.55	10.33	7.14	3.85	9.47	6.65	4.17	8.73	6.26	4.60	
		24°C	11.69	9.41	3.03	11.26	9.19	3.28	10.84	8.96	3.55	10.40	8.73	3.85	9.55	8.14	4.18	8.83	7.68	4.60	
		27°C	11.88	10.78	3.04	11.49	10.51	3.29	11.10	10.21	3.57	10.70	9.90	3.87	9.89	9.17	4.20	9.22	8.56	4.64	
	1030	16°C	30°C	12.47	12.47	3.07	12.11	12.11	3.32	11.73	11.73	3.61	11.35	11.35	3.91	10.51	10.51	4.25	9.81	9.81	4.69
			24°C	12.80	7.43	3.08	12.34	7.25	3.33	11.87	7.06	3.61	11.38	6.87	3.92	10.45	6.40	4.25	9.65	6.04	4.68
			27°C	12.84	8.59	3.08	12.38	8.40	3.34	11.91	8.20	3.61	11.43	8.00	3.92	10.49	7.48	4.25	9.70	7.08	4.68
19°C		30°C	12.94	10.58	3.09	12.48	10.35	3.34	12.04	10.11	3.62	11.58	9.86	3.93	10.66	9.21	4.26	9.89	8.68	4.70	
		33°C	13.22	13.22	3.10	12.84	12.84	3.36	12.44	12.44	3.65	12.03	12.03	3.96	11.15	11.15	4.30	10.42	10.42	4.75	
		27°C	14.04	7.27	3.14	13.55	7.11	3.40	13.04	6.93	3.68	12.51	6.75	3.99	11.49	6.30	4.33	10.62	5.95	4.77	
22°C		30°C	14.07	8.96	3.14	13.57	8.79	3.40	13.06	8.60	3.69	12.54	8.40	4.00	11.52	7.87	4.33	10.65	7.46	4.77	
		33°C	14.12	10.50	3.14	13.63	10.32	3.41	13.13	10.10	3.69	12.62	9.88	4.00	11.61	9.26	4.34	10.75	8.79	4.78	
		36°C	14.25	11.86	3.15	13.80	11.64	3.42	13.32	11.38	3.70	12.85	11.10	4.02	11.87	10.36	4.36	11.07	9.75	4.81	
1030		16°C	21°C	11.63	7.81	3.06	11.22	7.62	3.29	10.81	7.44	3.56	10.38	7.24	3.87	9.54	6.75	4.22	8.81	6.36	4.69
			24°C	11.67	9.55	3.06	11.25	9.35	3.30	10.85	9.14	3.56	10.43	8.93	3.87	9.59	8.35	4.22	8.88	7.88	4.69
			27°C	11.86	10.95	3.07	11.50	10.68	3.31	11.13	10.40	3.58	10.76	10.09	3.89	9.97	9.54	4.25	9.31	9.00	4.72
	19°C	30°C	12.50	12.50	3.10	12.15	12.15	3.34	11.80	11.80	3.62	11.43	11.43	3.93	10.60	10.60	4.29	9.93	9.93	4.77	
		24°C	12.80	7.49	3.11	12.35	7.31	3.35	11.91	7.14	3.62	11.45	6.96	3.93	10.53	6.50	4.28	9.75	6.14	4.76	
		27°C	12.83	8.69	3.11	12.38	8.51	3.35	11.94	8.33	3.63	11.48	8.14	3.94	10.56	7.63	4.29	9.78	7.25	4.76	
	22°C	30°C	12.89	10.79	3.12	12.46	10.56	3.36	12.04	10.34	3.63	11.61	10.09	3.94	10.72	9.43	4.30	9.99	8.89	4.78	
		33°C	13.24	13.24	3.13	12.86	12.86	3.38	12.50	12.50	3.66	12.12	12.12	3.98	11.26	11.26	4.34	10.56	10.56	4.82	
		27°C	14.06	7.35	3.17	13.58	7.18	3.41	13.10	7.01	3.69	12.61	6.84	4.01	11.61	6.39	4.36	10.76	6.05	4.84	
	22°C	30°C	14.09	9.09	3.17	13.61	8.90	3.42	13.13	8.72	3.69	12.63	8.53	4.01	11.63	8.00	4.36	10.78	7.61	4.84	
		33°C	14.13	10.71	3.17	13.64	10.52	3.42	13.16	10.33	3.70	12.67	10.13	4.01	11.68	9.52	4.37	10.85	9.04	4.84	
		36°C	14.26	12.13	3.18	13.81	11.89	3.43	13.36	11.64	3.71	12.93	11.36	4.03	11.97	10.62	4.39	11.20	10.02	4.87	

HEATING MODE

ID DB°C	Outdoor WB°C													
	-9		-6		-5		6		12		15		18	
	TC(kW)	SC(kW)	TC(kW)	SC(kW)	TC(kW)	SC(kW)	TC(kW)	SC(kW)	TC(kW)	SC(kW)	TC(kW)	SC(kW)	TC(kW)	SC(kW)
15	6.86	6.86	7.764	7.764	8.065	8.065	11.381	11.381	13.19	13.19	14.094	14.094	14.998	14.998
17	6.68	6.68	7.612	7.612	7.912	7.912	11.367	11.367	13.151	13.151	14.075	14.075	15	15
19	6.5	6.5	7.46	7.46	7.759	7.759	11.354	11.354	13.112	13.112	14.056	14.056	15.001	15.001
21	6.32	6.32	7.302	7.302	7.606	7.606	11.284	11.284	13.073	13.073	14.038	14.038	15.003	15.003
23	6.14	6.14	7.136	7.136	7.453	7.453	11.158	11.158	13.034	13.034	14.019	14.019	15.004	15.004
25	5.96	5.96	6.971	6.971	7.3	7.3	11.032	11.032	12.996	12.996	14.001	14.001	15.006	15.006
27	5.781	5.781	6.806	6.806	7.147	7.147	10.906	10.906	12.957	12.957	13.982	13.982	15.007	15.007

FROST REGION

Remark:
 AFR: Air flow rate (CFM)
 EWB: Entering Wet Bulb Temp. (°C)
 EDB: Entering Dry Bulb Temp. (°C)
 TC: Total Cooling Capacity (kW)
 SHC: Sensible Heat Capacity (kW)
 PI: Power Input

Notes:
 1. Ratings shown are gross capacities which do not include a deduction for indoor fan motor heat.
 2. 11.43
 3. Direct interpolation is permissible. Do not extrapolate.
 4. Unit is able to operate at ambient from 0 °C to 46°C without pressure trip.

00065210AB4040

A5CK40ER / A5LC40DR (3 Phase)

COOLING MODE

AFR (CFM)	EWB	EDB	Outdoor temperature																	
			19°C			25°C			30°C			35°C			40°C			46°C		
			TC	SHC	PI	TC	SHC	PI	TC	SHC	PI	TC	SHC	PI	TC	SHC	PI	TC	SHC	PI
620	16°C	21°C	10.78	7.12	2.92	10.39	6.93	3.16	10.01	6.74	3.42	9.61	6.55	3.71	8.82	6.10	4.02	8.14	5.73	4.43
		24°C	10.79	8.52	2.92	10.41	8.33	3.16	10.02	8.13	3.42	9.62	7.93	3.71	8.84	7.41	4.02	8.18	6.99	4.43
		27°C	10.88	9.66	2.92	10.51	9.44	3.16	10.14	9.22	3.42	9.76	8.98	3.72	9.01	8.36	4.03	8.38	7.85	4.45
		30°C	11.21	11.21	2.94	10.89	10.89	3.18	10.56	10.56	3.45	10.22	10.22	3.74	9.47	9.47	4.07	8.86	8.86	4.49
	19°C	24°C	11.89	6.64	2.96	11.47	6.47	3.21	11.05	6.30	3.48	10.61	6.12	3.77	9.75	5.70	4.09	9.02	5.37	4.51
		27°C	11.89	7.60	2.96	11.48	7.43	3.21	11.06	7.26	3.48	10.62	7.08	3.77	9.76	6.63	4.09	9.03	6.28	4.51
		30°C	11.91	9.38	2.97	11.50	9.18	3.21	11.09	8.98	3.48	10.67	8.76	3.77	9.83	8.19	4.10	9.12	7.75	4.52
		33°C	12.05	12.05	2.97	11.66	11.66	3.22	11.28	11.28	3.49	10.90	10.90	3.79	10.08	10.08	4.12	9.43	9.43	4.54
	22°C	27°C	13.08	6.50	3.02	12.62	6.34	3.27	12.16	6.19	3.54	11.69	6.02	3.84	10.75	5.61	4.17	9.95	5.28	4.59
		30°C	13.08	7.92	3.02	12.63	7.75	3.27	12.17	7.58	3.54	11.69	7.40	3.84	10.75	6.93	4.17	9.95	6.57	4.60
		33°C	13.09	9.25	3.02	12.63	9.08	3.27	12.17	8.90	3.54	11.70	8.71	3.85	10.77	8.18	4.17	9.98	7.77	4.60
		36°C	13.13	10.49	3.02	12.70	10.28	3.27	12.26	10.07	3.55	11.81	9.85	3.85	10.89	9.23	4.18	10.13	8.76	4.61
740	16°C	21°C	11.21	7.42	2.94	10.81	7.23	3.18	10.40	7.04	3.45	9.97	6.84	3.74	9.15	6.37	4.05	8.44	5.99	4.47
		24°C	11.25	9.01	2.95	10.84	8.80	3.19	10.44	8.59	3.45	10.02	8.37	3.74	9.20	7.81	4.06	8.51	7.37	4.47
		27°C	11.38	10.23	2.95	11.00	9.99	3.19	10.62	9.74	3.46	10.24	9.45	3.76	9.45	8.77	4.08	8.81	8.21	4.50
		30°C	11.86	11.86	2.97	11.51	11.51	3.22	11.16	11.16	3.49	10.80	10.80	3.79	10.01	10.01	4.12	9.35	9.35	4.55
	19°C	24°C	12.35	7.02	2.99	11.91	6.85	3.24	11.47	6.67	3.51	11.01	6.48	3.80	10.11	6.04	4.13	9.34	5.69	4.55
		27°C	12.37	8.09	2.99	11.93	7.91	3.24	11.49	7.73	3.51	11.03	7.55	3.81	10.13	7.05	4.13	9.37	6.68	4.55
		30°C	12.43	9.98	3.00	12.00	9.76	3.24	11.57	9.54	3.52	11.13	9.31	3.81	10.25	8.70	4.14	9.51	8.22	4.56
		33°C	12.64	12.64	3.01	12.26	12.26	3.26	11.87	11.87	3.53	11.47	11.47	3.84	10.63	10.63	4.17	9.93	9.93	4.60
	22°C	27°C	13.57	6.87	3.05	13.10	6.71	3.30	12.61	6.54	3.58	12.11	6.37	3.88	11.13	5.94	4.21	10.29	5.60	4.63
		30°C	13.59	8.44	3.05	13.11	8.26	3.30	12.62	8.08	3.58	12.12	7.89	3.88	11.14	7.39	4.21	10.31	7.01	4.64
		33°C	13.61	9.89	3.05	13.14	9.70	3.30	12.66	9.50	3.58	12.16	9.30	3.89	11.19	8.72	4.21	10.37	8.28	4.64
		36°C	13.70	11.17	3.05	13.26	10.96	3.31	12.79	10.73	3.59	12.33	10.48	3.90	11.37	9.81	4.23	10.60	9.26	4.67
860	16°C	21°C	11.63	7.74	2.97	11.20	7.55	3.21	10.77	7.35	3.48	10.33	7.14	3.77	9.47	6.65	4.09	8.73	6.26	4.50
		24°C	11.69	9.41	2.97	11.26	9.19	3.21	10.84	8.96	3.48	10.40	8.73	3.77	9.55	8.14	4.09	8.83	7.68	4.51
		27°C	11.88	10.78	2.98	11.49	10.51	3.23	11.10	10.21	3.50	10.70	9.90	3.79	9.89	9.17	4.12	9.22	8.56	4.54
		30°C	12.47	12.47	3.01	12.11	12.11	3.26	11.73	11.73	3.53	11.35	11.35	3.84	10.51	10.51	4.17	9.81	9.81	4.60
	19°C	24°C	12.80	7.43	3.02	12.34	7.25	3.27	11.87	7.06	3.54	11.38	6.87	3.84	10.45	6.40	4.16	9.65	6.04	4.58
		27°C	12.84	8.59	3.02	12.38	8.40	3.27	11.91	8.20	3.54	11.43	8.00	3.84	10.49	7.48	4.16	9.70	7.08	4.59
		30°C	12.94	10.58	3.02	12.48	10.35	3.28	12.04	10.11	3.55	11.58	9.86	3.85	10.66	9.21	4.18	9.89	8.68	4.61
		33°C	13.22	13.22	3.04	12.84	12.84	3.29	12.44	12.44	3.57	12.03	12.03	3.88	11.15	11.15	4.22	10.42	10.42	4.65
	22°C	27°C	14.04	7.27	3.07	13.55	7.11	3.33	13.04	6.93	3.61	12.51	6.75	3.91	11.49	6.30	4.24	10.62	5.95	4.67
		30°C	14.07	8.96	3.08	13.57	8.79	3.33	13.06	8.60	3.61	12.54	8.40	3.92	11.52	7.87	4.25	10.65	7.46	4.68
		33°C	14.12	10.50	3.08	13.63	10.32	3.34	13.13	10.10	3.62	12.62	9.88	3.92	11.61	9.26	4.25	10.75	8.79	4.69
		36°C	14.25	11.86	3.09	13.80	11.64	3.35	13.32	11.38	3.63	12.85	11.10	3.94	11.87	10.36	4.27	11.07	9.75	4.72
1030	16°C	21°C	11.63	7.81	3.00	11.22	7.62	3.23	10.81	7.44	3.49	10.38	7.24	3.79	9.54	6.75	4.13	8.81	6.36	4.59
		24°C	11.67	9.55	3.00	11.25	9.35	3.23	10.85	9.14	3.49	10.43	8.93	3.79	9.59	8.35	4.14	8.88	7.88	4.60
		27°C	11.86	10.95	3.01	11.50	10.68	3.24	11.13	10.40	3.51	10.76	10.09	3.81	9.97	9.54	4.16	9.31	9.00	4.63
		30°C	12.50	12.50	3.03	12.15	12.15	3.27	11.80	11.80	3.54	11.43	11.43	3.85	10.60	10.60	4.20	9.93	9.93	4.67
	19°C	24°C	12.80	7.49	3.05	12.35	7.31	3.28	11.91	7.14	3.55	11.45	6.96	3.85	10.53	6.50	4.20	9.75	6.14	4.66
		27°C	12.83	8.69	3.05	12.38	8.51	3.28	11.94	8.33	3.55	11.48	8.14	3.86	10.56	7.63	4.20	9.78	7.25	4.66
		30°C	12.89	10.79	3.05	12.46	10.56	3.29	12.04	10.34	3.56	11.61	10.09	3.86	10.72	9.43	4.21	9.99	8.89	4.68
		33°C	13.24	13.24	3.07	12.86	12.86	3.31	12.50	12.50	3.58	12.12	12.12	3.90	11.26	11.26	4.25	10.56	10.56	4.72
	22°C	27°C	14.06	7.35	3.11	13.58	7.18	3.34	13.10	7.01	3.62	12.61	6.84	3.93	11.61	6.39	4.27	10.76	6.05	4.74
		30°C	14.09	9.09	3.11	13.61	8.90	3.35	13.13	8.72	3.62	12.63	8.53	3.93	11.63	8.00	4.27	10.78	7.61	4.74
		33°C	14.13	10.71	3.11	13.64	10.52	3.35	13.16	10.33	3.62	12.67	10.13	3.93	11.68	9.52	4.28	10.85	9.04	4.74
		36°C	14.26	12.13	3.11	13.81	11.89	3.36	13.36	11.64	3.63	12.93	11.36	3.95	11.97	10.62	4.30	11.20	10.02	4.77

HEATING MODE

ID DB°C	Outdoor WB°C													
	-9		-6		-5		6		12		15		18	
	TC(kW)	SC(kW)	TC(kW)	SC(kW)	TC(kW)	SC(kW)	TC(kW)	SC(kW)	TC(kW)	SC(kW)	TC(kW)	SC(kW)	TC(kW)	SC(kW)
15	6.939	6.939	7.854	7.854	8.159	8.159	11.513	11.513	13.343	13.343	14.258	14.258	15.172	15.172
17	6.757	6.757	7.676	7.676	7.944	7.944	11.5	11.5	12.989	12.989	13.88	13.88	14.77	14.77
19	6.575	6.575	7.499	7.499	7.73	7.73	11.486	11.486	12.636	12.636	13.502	13.502	14.367	14.367
21	6.394	6.394	7.297	7.297	7.515	7.515	11.223	11.223	12.282	12.282	13.124	13.124	13.965	13.965
23	6.212	6.212	7.07	7.07	7.301	7.301	10.711	10.711	11.929	11.929	12.746	12.746	13.562	13.562
25	6.03	6.03	6.843	6.843	7.086	7.086	10.199	10.199	11.575	11.575	12.368	12.368	13.16	13.16
27	5.848	5.848	6.616	6.616	6.871	6.871	9.686	9.686	11.222	11.222	11.99	11.99	12.757	12.757

FROST REGION

Remark:

- AFR: Air flow rate (CFM)
- EWB: Entering Wet Bulb Temp. (°C)
- EDB: Entering Dry Bulb Temp. (°C)
- TC: Total Cooling Capacity (kW)
- SHC: Sensible Heat Capacity (kW)
- PI: Power Input

Notes:

1. Ratings shown are gross capacities which do not include a deduction for indoor fan motor heat.
2.
3. Direct interpolation is permissible. Do not extrapolate.
4. Unit is able to operate at ambient from 0 °C to 46°C without pressure trip.

00065220AB4040

A5CK50ER / A5LC50DR

COOLING MODE

AFR (CFM)	EWB	EDB	Outdoor temperature																	
			19°C			25°C			30°C			35°C			40°C			46°C		
			TC	SHC	PI	TC	SHC	PI	TC	SHC	PI	TC	SHC	PI	TC	SHC	PI	TC	SHC	PI
780	16°C	21°C	11.88	8.18	3.34	11.46	7.97	3.61	11.04	7.76	3.91	10.59	7.53	4.24	9.73	7.01	4.60	8.98	6.59	5.07
		24°C	11.90	9.80	3.34	11.48	9.58	3.61	11.05	9.35	3.91	10.61	9.12	4.24	9.75	8.52	4.60	9.02	8.04	5.07
		27°C	11.99	11.11	3.34	11.59	10.86	3.61	11.19	10.60	3.92	10.76	10.33	4.25	9.93	9.61	4.61	9.24	9.03	5.09
		30°C	12.36	12.36	3.36	12.01	12.01	3.64	11.64	11.64	3.94	11.27	11.27	4.28	10.45	10.45	4.65	9.77	9.77	5.14
	19°C	24°C	13.11	7.64	3.39	12.65	7.45	3.67	12.18	7.25	3.97	11.70	7.04	4.31	10.75	6.56	4.68	9.94	6.18	5.15
		27°C	13.12	8.74	3.39	12.65	8.54	3.67	12.19	8.35	3.98	11.71	8.15	4.31	10.76	7.62	4.68	9.95	7.22	5.16
		30°C	13.14	10.79	3.39	12.68	10.56	3.67	12.23	10.32	3.98	11.77	10.08	4.32	10.84	9.42	4.68	10.05	8.92	5.16
		33°C	13.29	13.29	3.40	12.86	12.86	3.68	12.44	12.44	3.99	12.02	12.02	4.33	11.12	11.12	4.71	10.40	10.40	5.20
	22°C	27°C	14.42	7.48	3.45	13.92	7.30	3.74	13.41	7.11	4.05	12.89	6.92	4.39	11.85	6.45	4.77	10.97	6.08	5.25
		30°C	14.42	9.11	3.45	13.93	8.92	3.74	13.42	8.72	4.05	12.89	8.51	4.40	11.86	7.97	4.77	10.98	7.55	5.25
		33°C	14.43	10.64	3.45	13.93	10.44	3.74	13.43	10.23	4.05	12.90	10.02	4.40	11.87	9.41	4.77	11.00	8.94	5.26
		36°C	14.48	12.07	3.45	14.00	11.83	3.74	13.52	11.58	4.06	13.02	11.33	4.40	12.01	10.62	4.78	11.17	10.07	5.27
930	16°C	21°C	12.36	8.54	3.37	11.92	8.32	3.64	11.47	8.09	3.94	11.00	7.87	4.27	10.09	7.32	4.64	9.31	6.89	5.11
		24°C	12.40	10.36	3.37	11.96	10.12	3.64	11.51	9.88	3.95	11.04	9.63	4.28	10.15	8.98	4.64	9.38	8.48	5.11
		27°C	12.55	11.77	3.38	12.13	11.49	3.65	11.71	11.20	3.96	11.29	10.86	4.29	10.42	10.09	4.66	9.71	9.44	5.14
		30°C	13.07	13.07	3.40	12.70	12.70	3.68	12.31	12.31	3.99	11.91	11.91	4.33	11.03	11.03	4.71	10.31	10.31	5.20
	19°C	24°C	13.62	8.08	3.42	13.14	7.87	3.70	12.64	7.67	4.01	12.14	7.46	4.35	11.14	6.95	4.72	10.30	6.55	5.20
		27°C	13.65	9.30	3.42	13.16	9.10	3.70	12.67	8.89	4.01	12.16	8.68	4.35	11.17	8.11	4.72	10.33	7.68	5.20
		30°C	13.71	11.47	3.43	13.23	11.23	3.71	12.76	10.97	4.02	12.27	10.71	4.36	11.30	10.01	4.73	10.48	9.46	5.22
		33°C	13.94	13.94	3.44	13.51	13.51	3.72	13.08	13.08	4.04	12.65	12.65	4.39	11.72	11.72	4.77	10.95	10.95	5.26
	22°C	27°C	14.97	7.91	3.48	14.44	7.72	3.77	13.90	7.53	4.09	13.35	7.32	4.44	12.27	6.83	4.81	11.35	6.44	5.30
		30°C	14.99	9.70	3.48	14.46	9.50	3.77	13.92	9.29	4.09	13.37	9.07	4.44	12.28	8.50	4.81	11.36	8.06	5.30
		33°C	15.01	11.37	3.49	14.49	11.15	3.78	13.96	10.92	4.10	13.41	10.69	4.44	12.34	10.03	4.82	11.43	9.52	5.31
		36°C	15.10	12.85	3.49	14.62	12.61	3.79	14.11	12.35	4.11	13.59	12.06	4.45	12.54	11.28	4.83	11.69	10.64	5.33
1030	16°C	21°C	12.82	8.91	3.39	12.35	8.68	3.67	11.88	8.45	3.97	11.39	8.21	4.31	10.44	7.65	4.67	9.63	7.20	5.15
		24°C	12.89	10.82	3.40	12.42	10.56	3.67	11.95	10.31	3.98	11.47	10.04	4.31	10.53	9.36	4.68	9.73	8.83	5.16
		27°C	13.10	12.40	3.41	12.67	12.08	3.69	12.24	11.74	4.00	11.80	11.38	4.34	10.91	10.54	4.71	10.16	9.84	5.20
		30°C	13.75	13.75	3.44	13.35	13.35	3.72	12.94	12.94	4.04	12.51	12.51	4.38	11.59	11.59	4.76	10.82	10.82	5.26
	19°C	24°C	14.11	8.54	3.45	13.60	8.33	3.73	13.09	8.12	4.04	12.55	7.90	4.39	11.52	7.36	4.76	10.64	6.94	5.24
		27°C	14.15	9.88	3.45	13.65	9.66	3.74	13.13	9.43	4.05	12.60	9.20	4.39	11.57	8.60	4.76	10.69	8.14	5.25
		30°C	14.27	12.16	3.46	13.77	11.90	3.74	13.27	11.63	4.06	12.76	11.33	4.40	11.75	10.59	4.77	10.91	9.98	5.26
		33°C	14.58	14.58	3.47	14.15	14.15	3.77	13.72	13.72	4.09	13.27	13.27	4.44	12.29	12.29	4.82	11.49	11.49	5.32
	22°C	27°C	15.49	8.36	3.51	14.94	8.17	3.81	14.37	7.97	4.13	13.80	7.76	4.47	12.67	7.24	4.85	11.71	6.84	5.34
		30°C	15.52	10.30	3.52	14.97	10.11	3.81	14.40	9.89	4.13	13.82	9.66	4.48	12.70	9.05	4.85	11.75	8.58	5.35
		33°C	15.57	12.07	3.52	15.03	11.86	3.81	14.48	11.61	4.13	13.91	11.36	4.48	12.80	10.64	4.86	11.86	10.10	5.36
		36°C	15.71	13.63	3.53	15.22	13.38	3.82	14.69	13.09	4.15	14.16	12.77	4.50	13.09	11.91	4.89	12.21	11.21	5.39
1200	16°C	21°C	12.82	8.98	3.43	12.37	8.77	3.69	11.92	8.55	3.99	11.45	8.33	4.33	10.52	7.76	4.72	9.71	7.31	5.25
		24°C	12.86	10.98	3.43	12.40	10.75	3.69	11.96	10.51	3.99	11.50	10.26	4.34	10.57	9.60	4.73	9.79	9.06	5.26
		27°C	13.08	12.60	3.44	12.67	12.28	3.70	12.27	11.96	4.01	11.86	11.60	4.36	10.99	10.96	4.76	10.27	10.27	5.29
		30°C	13.78	13.78	3.47	13.39	13.39	3.74	13.01	13.01	4.05	12.61	12.61	4.40	11.69	11.69	4.80	10.94	10.94	5.34
	19°C	24°C	14.11	8.61	3.48	13.62	8.41	3.75	13.13	8.21	4.06	12.63	8.00	4.41	11.61	7.47	4.80	10.75	7.06	5.33
		27°C	14.15	9.99	3.49	13.65	9.78	3.75	13.17	9.58	4.06	12.66	9.36	4.41	11.65	8.78	4.80	10.78	8.34	5.33
		30°C	14.22	12.41	3.49	13.74	12.15	3.76	13.28	11.89	4.07	12.80	11.60	4.42	11.82	10.85	4.81	11.01	10.22	5.35
		33°C	14.60	14.60	3.51	14.18	14.18	3.78	13.78	13.78	4.10	13.37	13.37	4.45	12.42	12.42	4.86	11.64	11.64	5.40
	22°C	27°C	15.51	8.45	3.55	14.97	8.25	3.82	14.45	8.06	4.14	13.90	7.86	4.49	12.80	7.35	4.88	11.86	6.95	5.42
		30°C	15.54	10.45	3.55	15.01	10.23	3.83	14.48	10.02	4.14	13.93	9.81	4.49	12.83	9.20	4.89	11.89	8.75	5.42
		33°C	15.58	12.31	3.55	15.04	12.09	3.83	14.51	11.88	4.14	13.97	11.64	4.49	12.88	10.94	4.89	11.97	10.39	5.42
		36°C	15.72	13.95	3.56	15.22	13.68	3.84	14.73	13.39	4.15	14.25	13.06	4.51	13.20	12.21	4.91	12.35	11.52	5.46

HEATING MODE

ID DB°C	Outdoor WB°C													
	-9		-6		-5		6		12		15		18	
	TC(kW)	SC(kW)	TC(kW)	SC(kW)	TC(kW)	SC(kW)	TC(kW)	SC(kW)	TC(kW)	SC(kW)	TC(kW)	SC(kW)	TC(kW)	SC(kW)
15	8.209	8.209	9.291	9.291	9.651	9.651	13.619	13.619	15.783	15.783	16.866	16.866	17.948	17.948
17	7.993	7.993	9.403	9.403	9.434	9.434	13.603	13.603	15.559	15.559	16.64	16.64	17.72	17.72
19	7.778	7.778	9.515	9.515	9.217	9.217	13.587	13.587	15.334	15.334	16.414	16.414	17.493	17.493
21	7.563	7.563	9.345	9.345	9	9	13.394	13.394	15.11	15.11	16.188	16.188	17.266	17.266
23	7.348	7.348	8.894	8.894	8.784	8.784	13.025	13.025	14.885	14.885	15.962	15.962	17.039	17.039
25	7.133	7.133	8.443	8.443	8.567	8.567	12.657	12.657	14.661	14.661	15.736	15.736	16.811	16.811
27	6.917	6.917	7.992	7.992	8.35	8.35	12.288	12.288	14.436	14.436	15.51	15.51	16.584	16.584

FROST REGION

Remark:
 AFR: Air flow rate (CFM)
 EWB: Entering Wet Bulb Temp. (°C)
 EDB: Entering Dry Bulb Temp. (°C)
 TC: Total Cooling Capacity (kW)
 SHC: Sensible Heat Capacity (kW)
 PI: Power Input

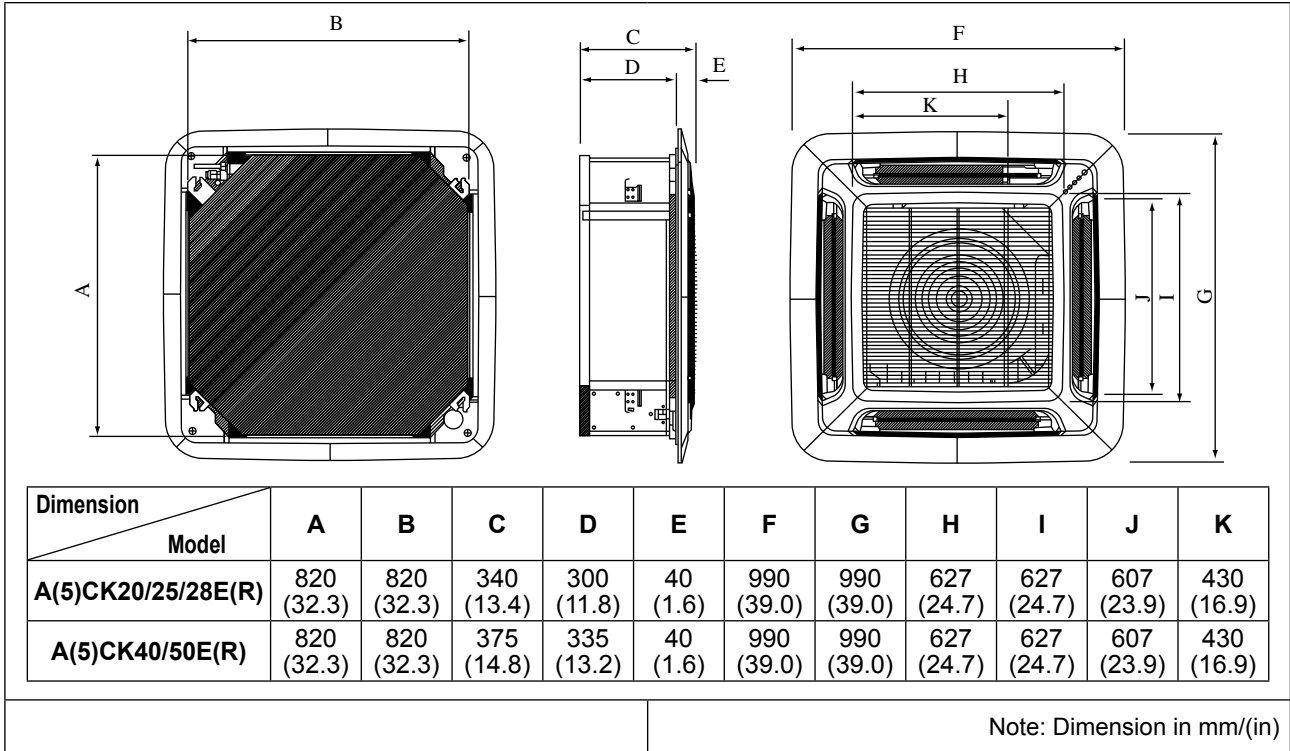
Notes:
 1. Ratings shown are gross capacities which do not include a deduction for indoor fan motor heat.
 2.
 3. Direct interpolation is permissible. Do not extrapolate.
 4. Unit is able to operate at ambient from 0 °C to 46°C without pressure trip.

00065220AB5050

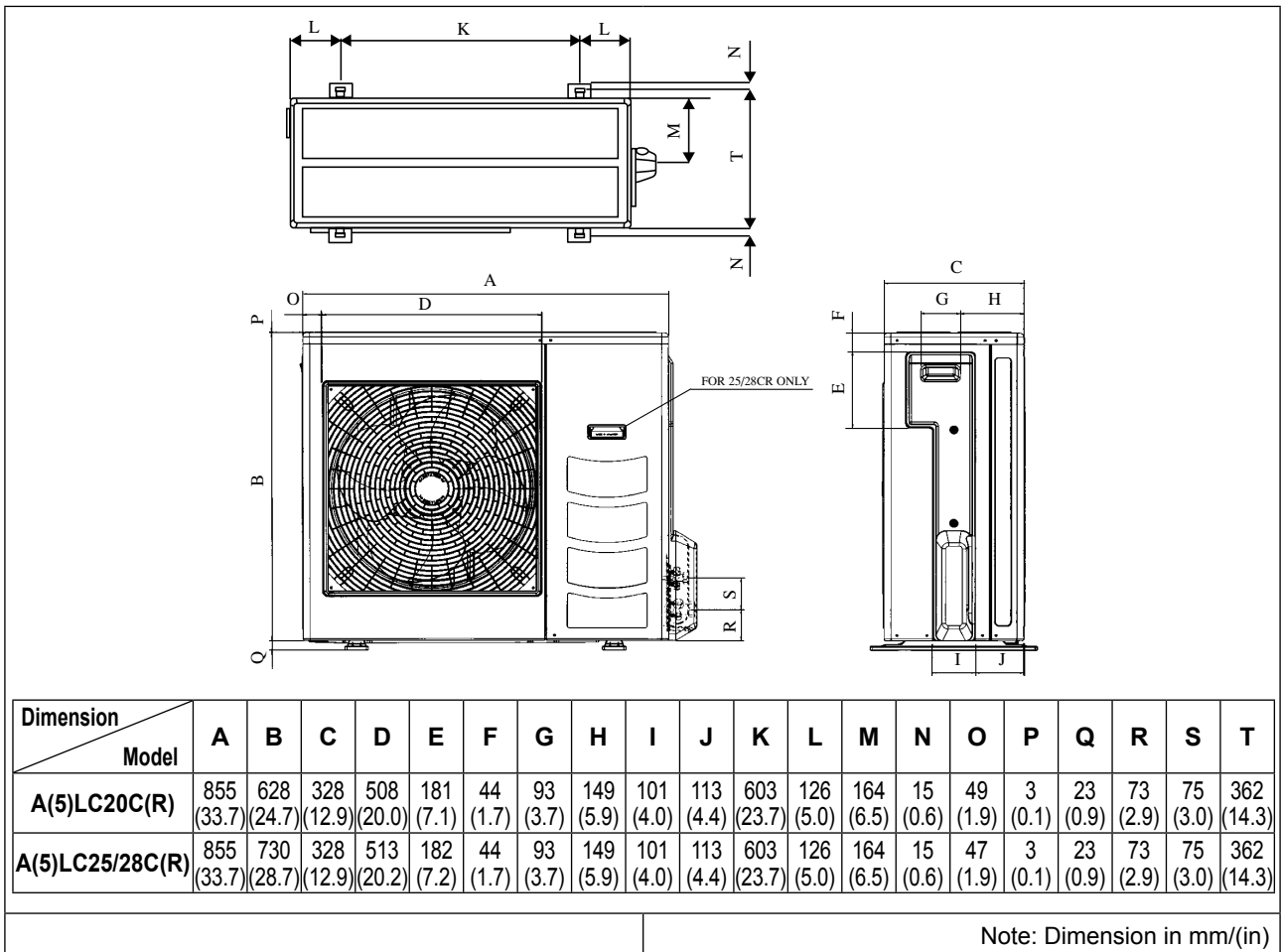
Outlines and Dimensions

Indoor Unit A(5)CK 20/25/28/40/50E(R) Series

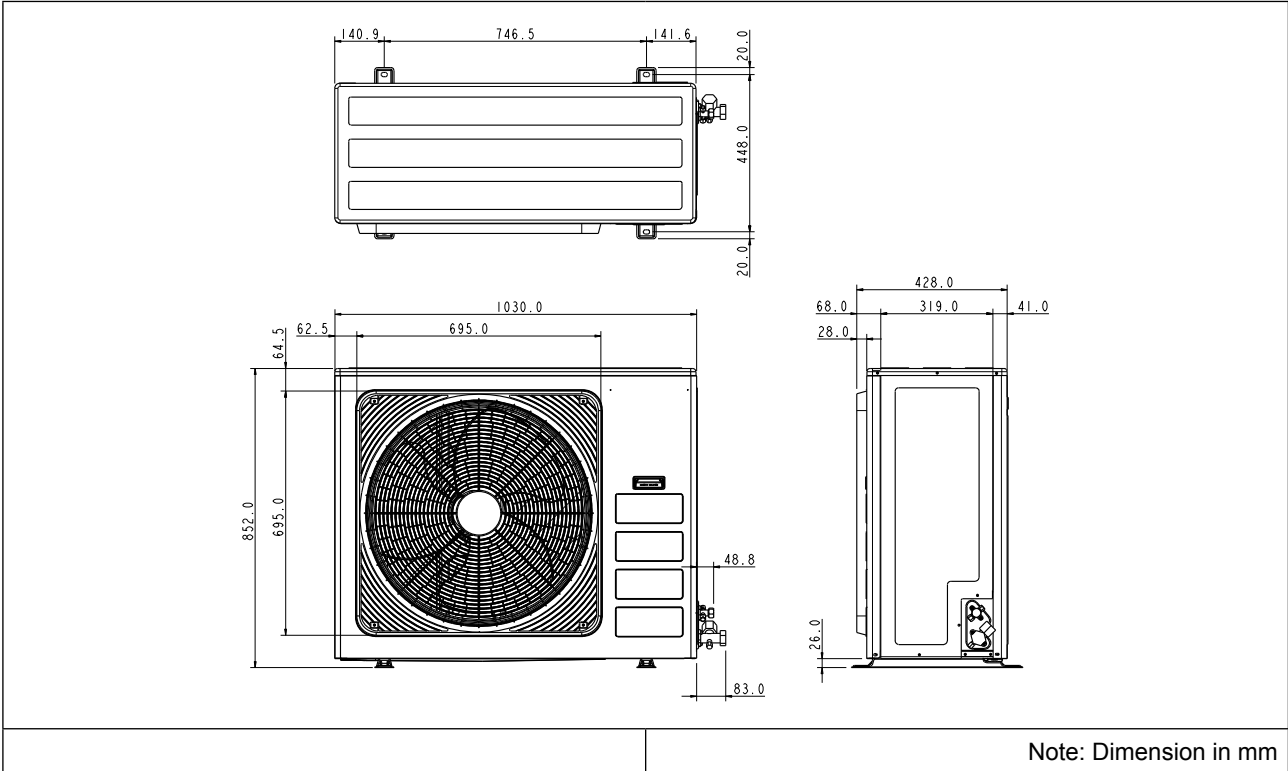
- (With Wireless Remote Control)



Outdoor Unit A(5)LC 20/25/28C(R) Series



Model: ALC/A5LC 35/40/50 D/DR



Note: Dimension in mm

Wiring Diagrams

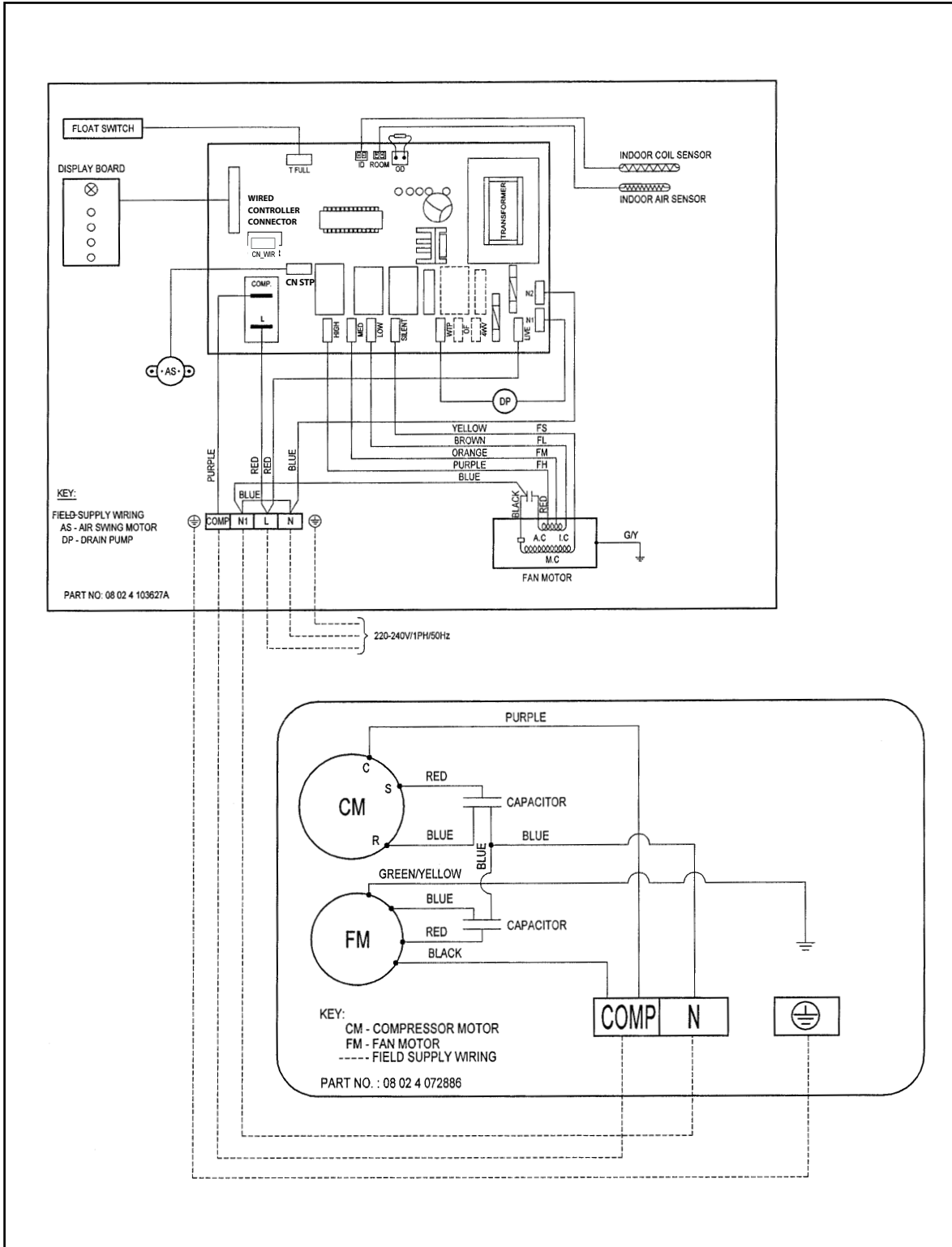
Cooling Only

Indoor Unit

Model: ACK/A5CK 20/25/28E

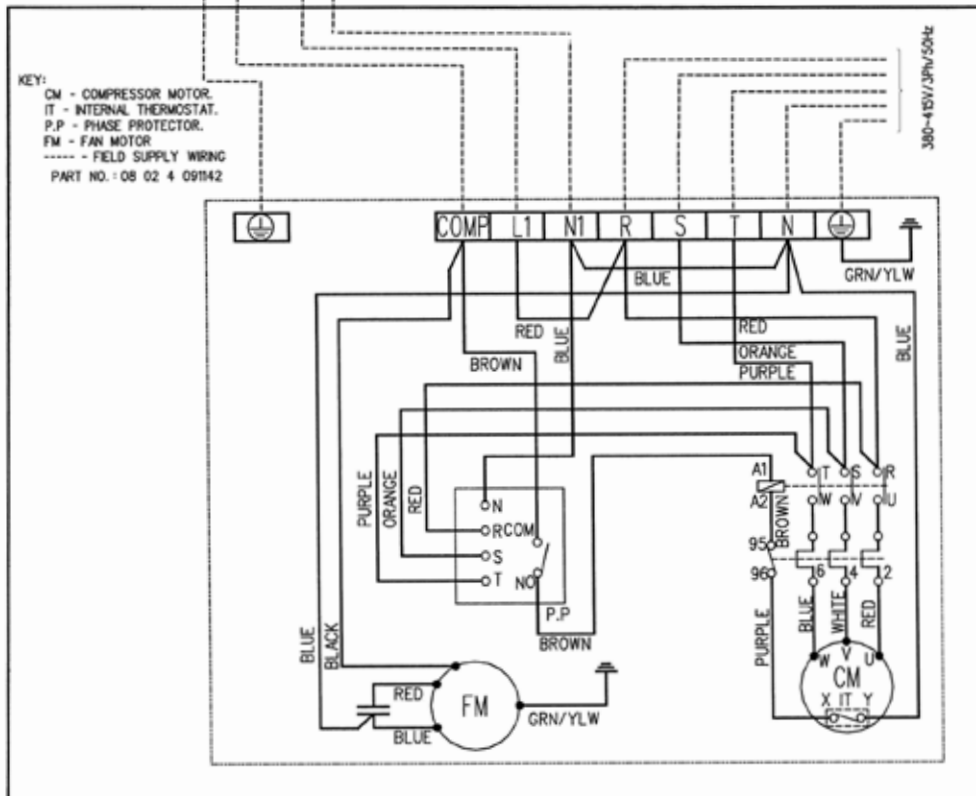
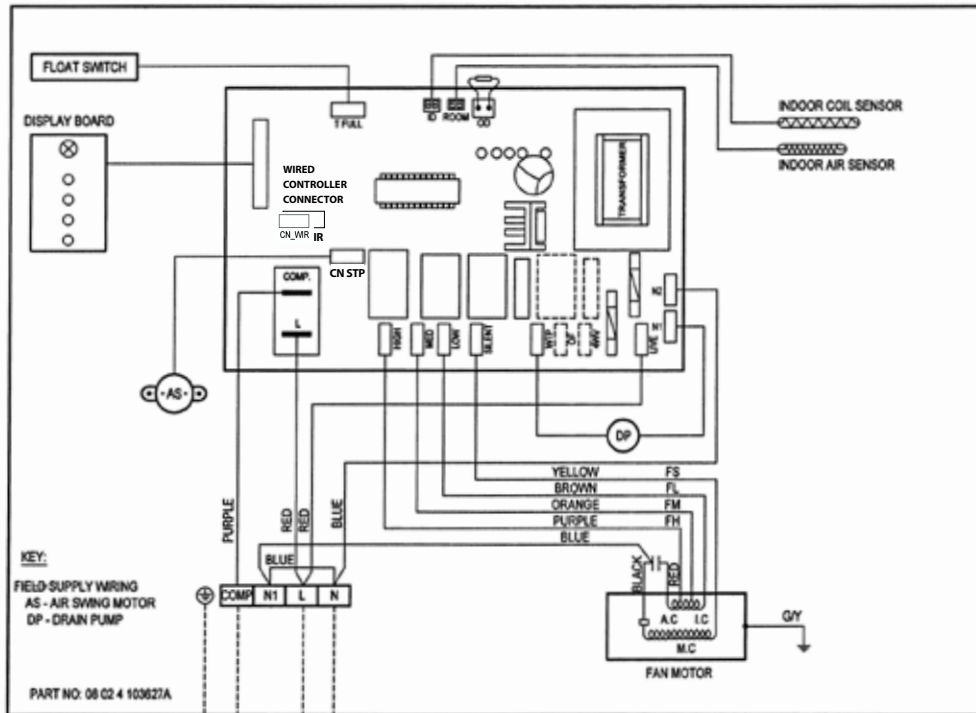
Outdoor Unit

Model: ALC/A5LC 20/25/28C



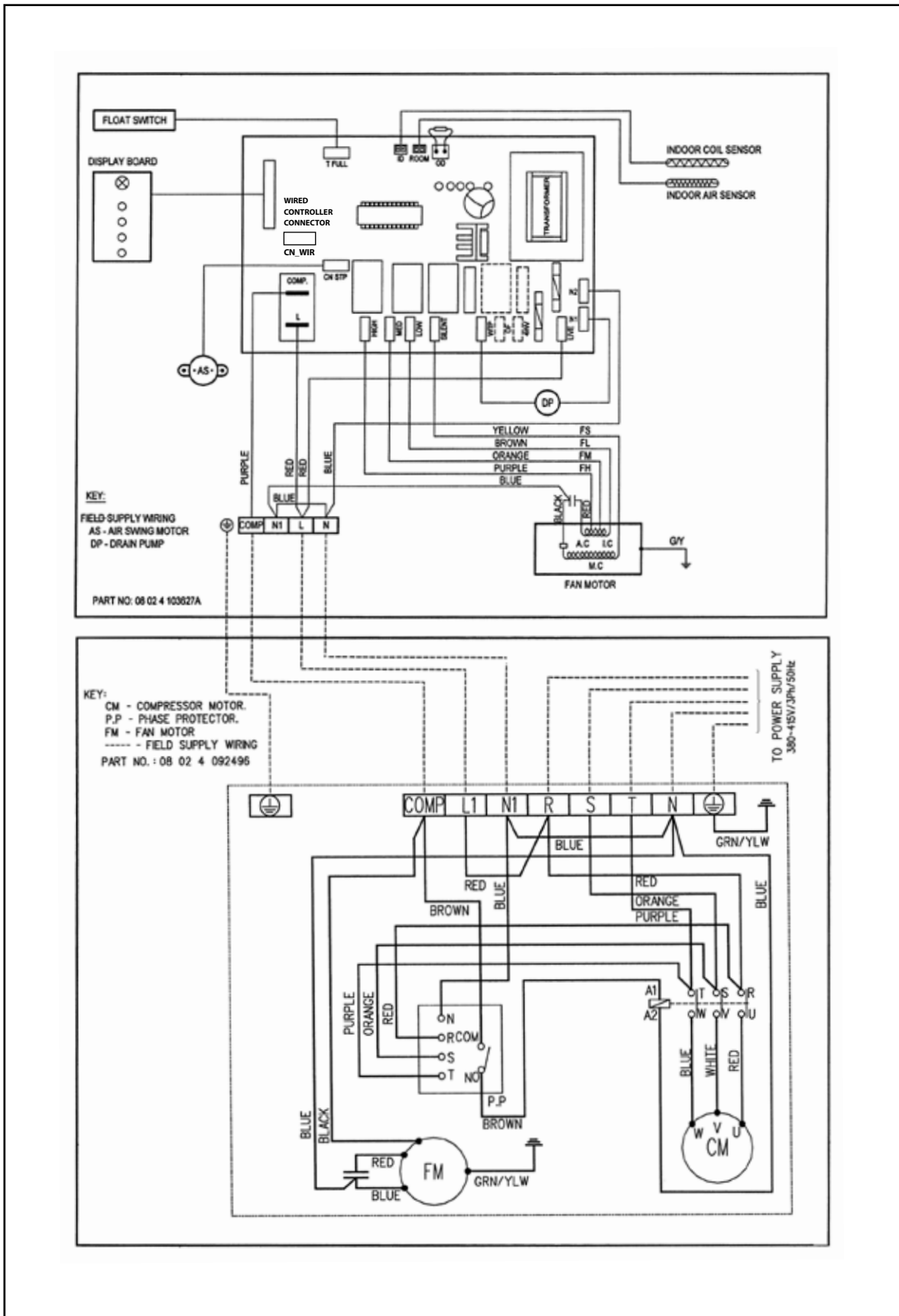
Indoor Unit
Model: A5CK 20/25E

Outdoor Unit
Model: A5LC 20/25C (3 Phase)



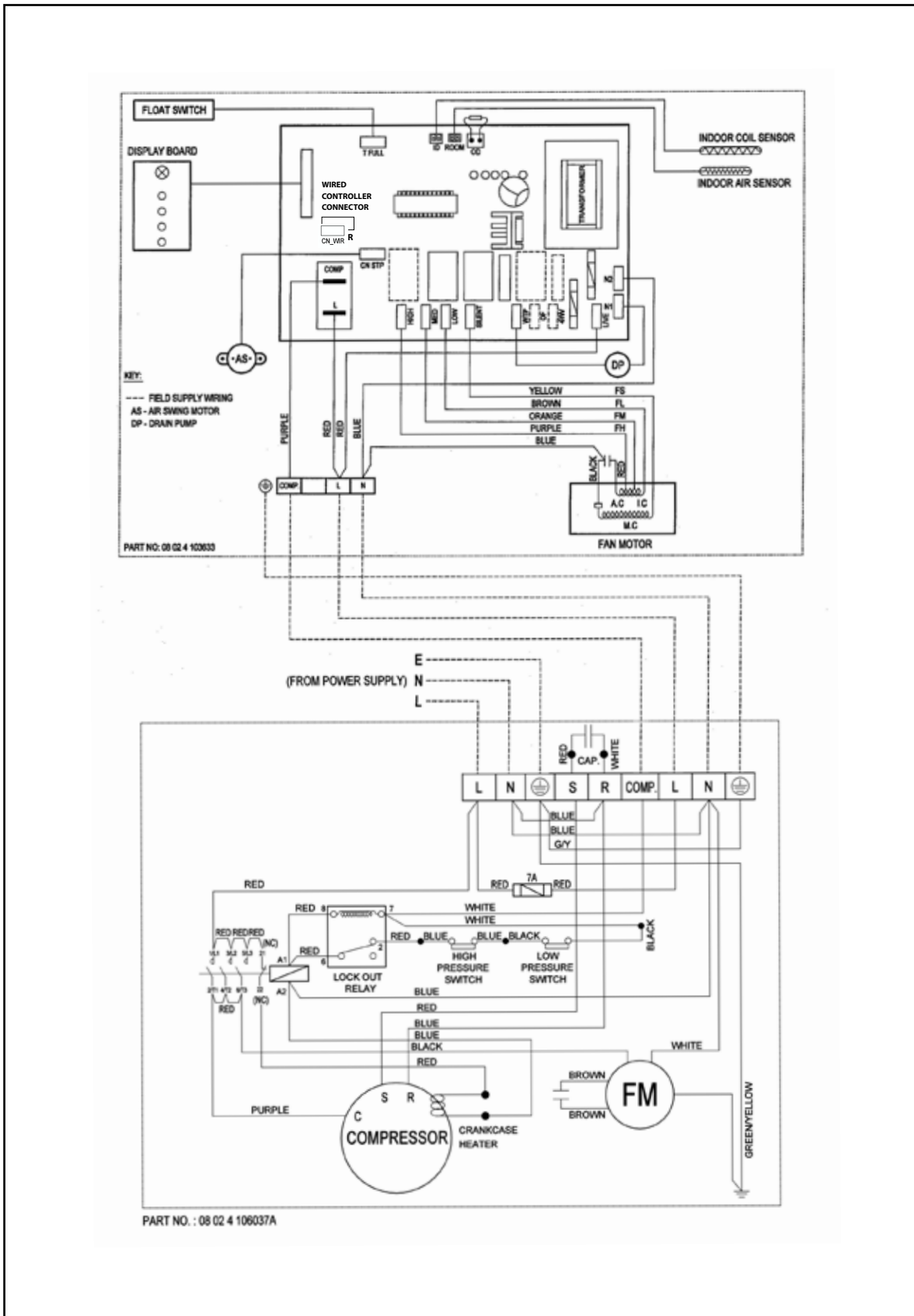
Indoor Unit
Model: A5CK 28E

Outdoor Unit
Model: A5LC 28C (3 Phase)



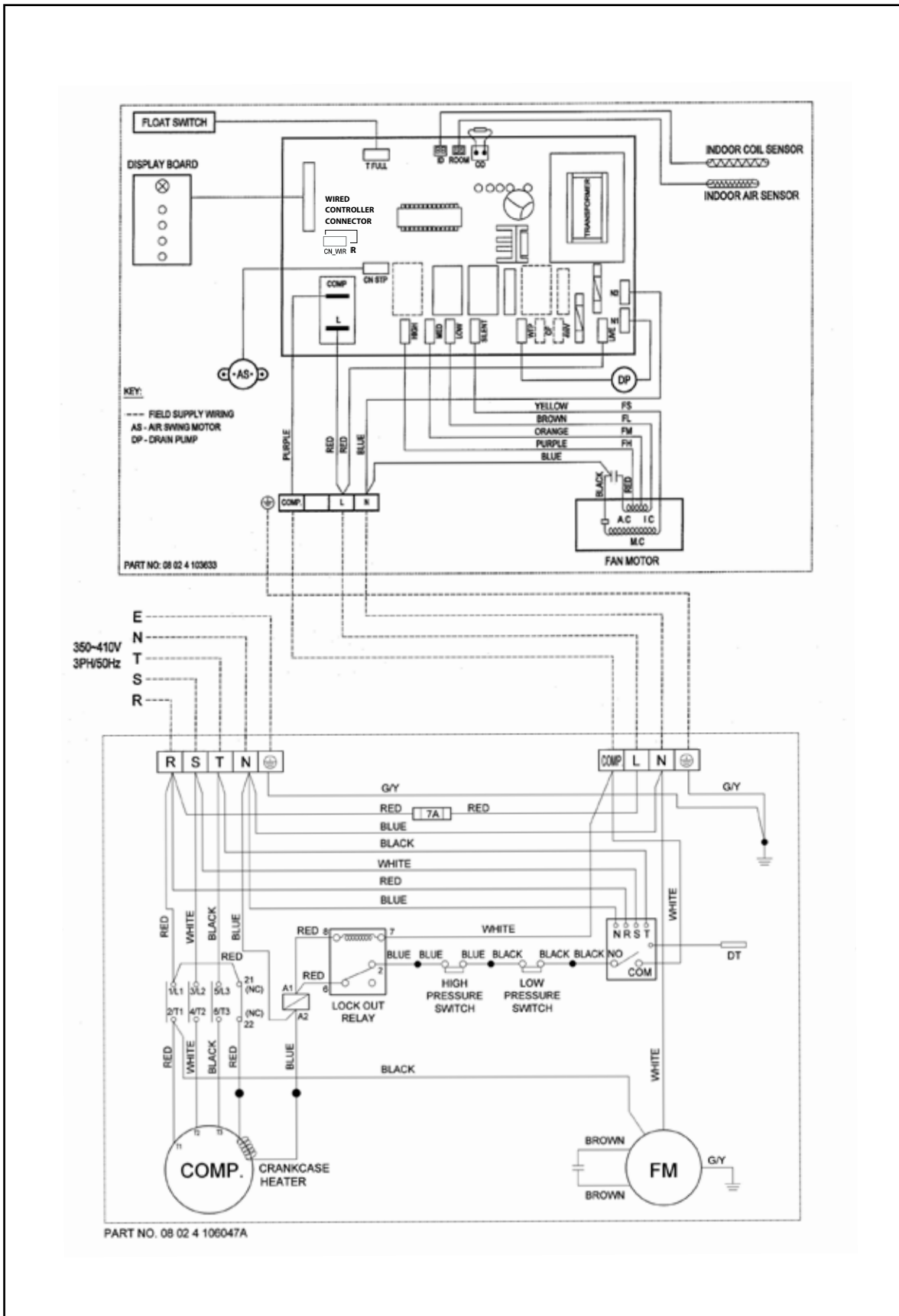
Indoor Unit
Model: ACK/A5CK 40E

Outdoor Unit
Model: ALC/A5LC 35/40D (1 Phase)



Indoor Unit
Model: ACK/A5CK 40/50E

Outdoor Unit
Model: ALC/A5LC 40/50D (3 Phase)



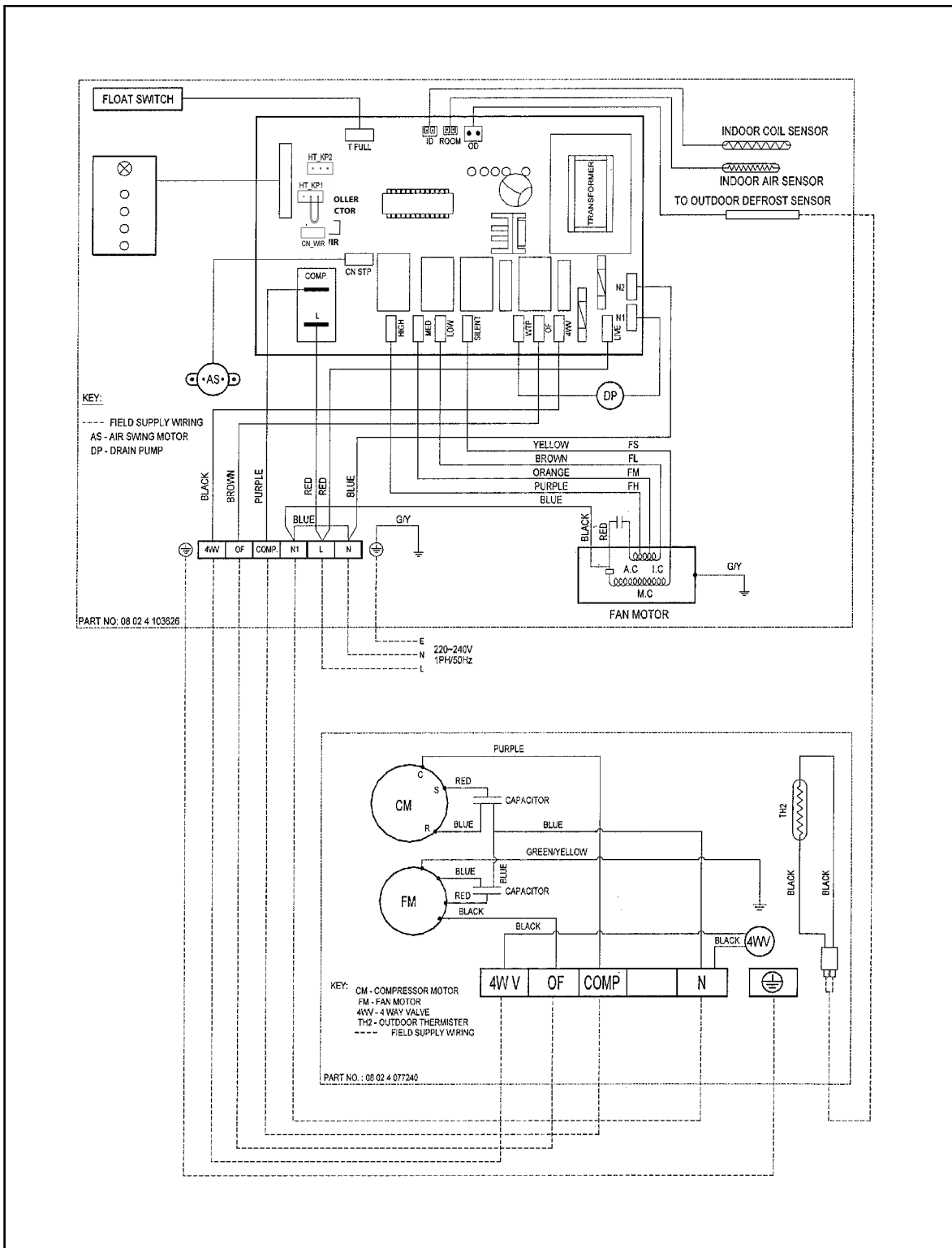
Heat Pump

Indoor Unit

Model: ACK/A5CK 20/25/28ER

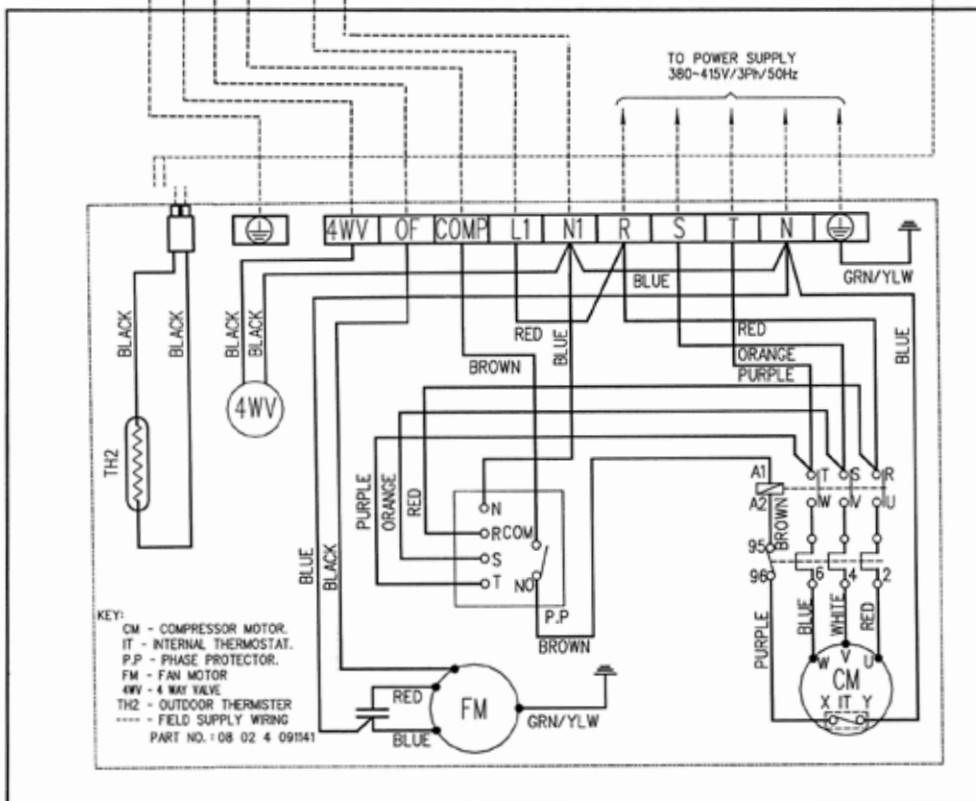
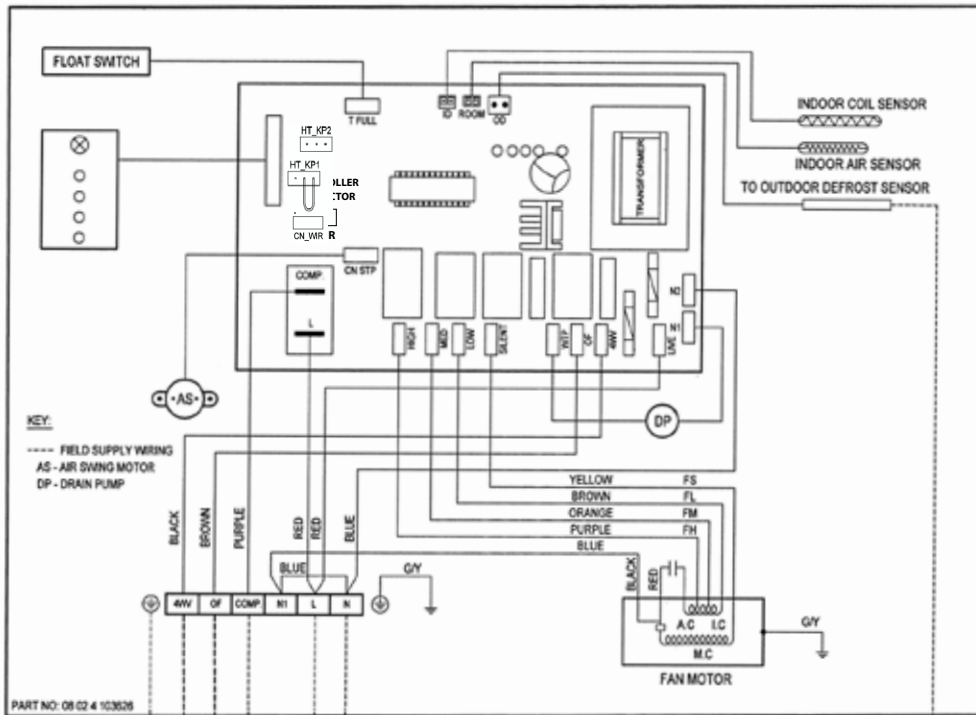
Outdoor Unit

Model: ALC/A5LC 20/25/28CR



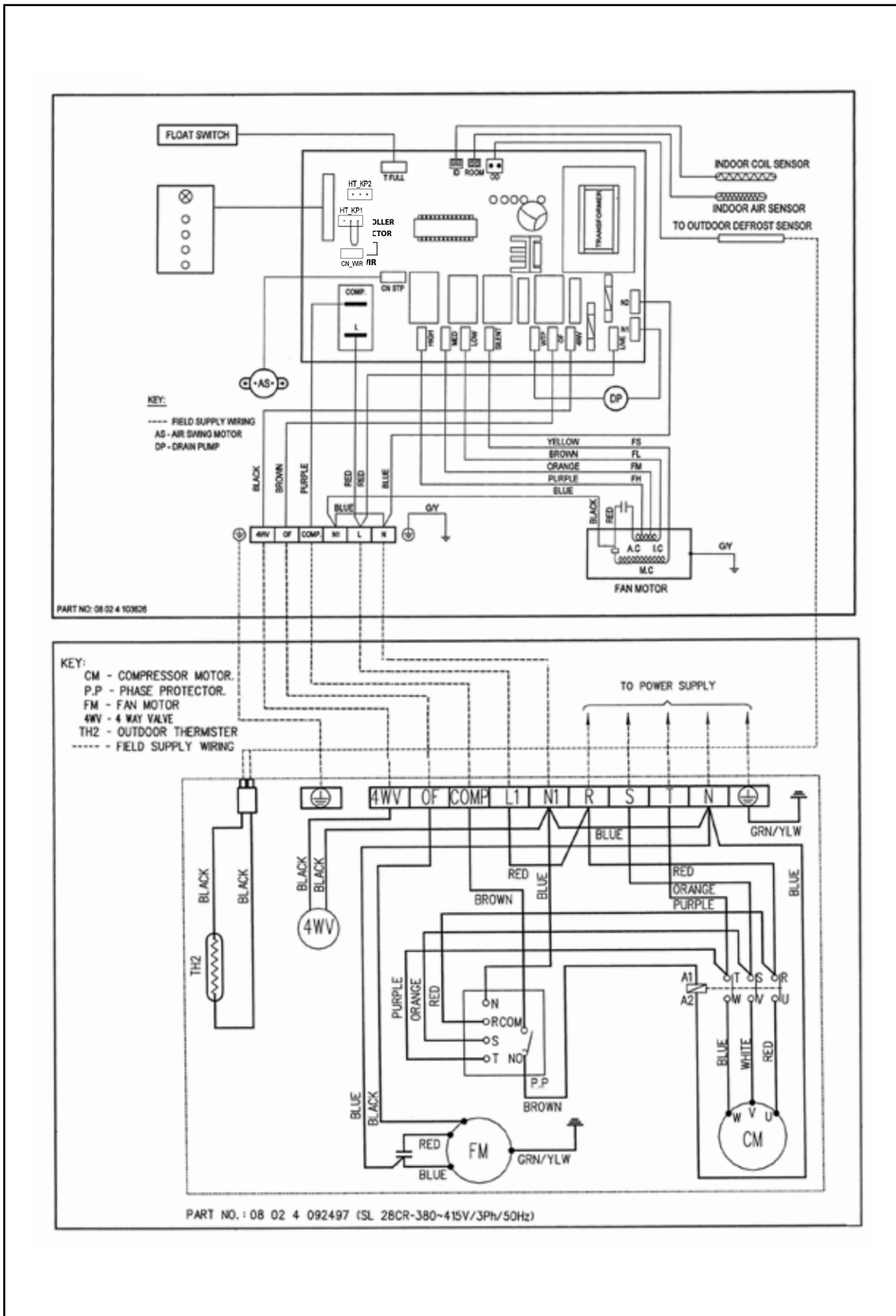
Indoor Unit
Model: A5CK 20/25ER

Outdoor Unit
Model: A5LC 20/25CR (3 Phase)



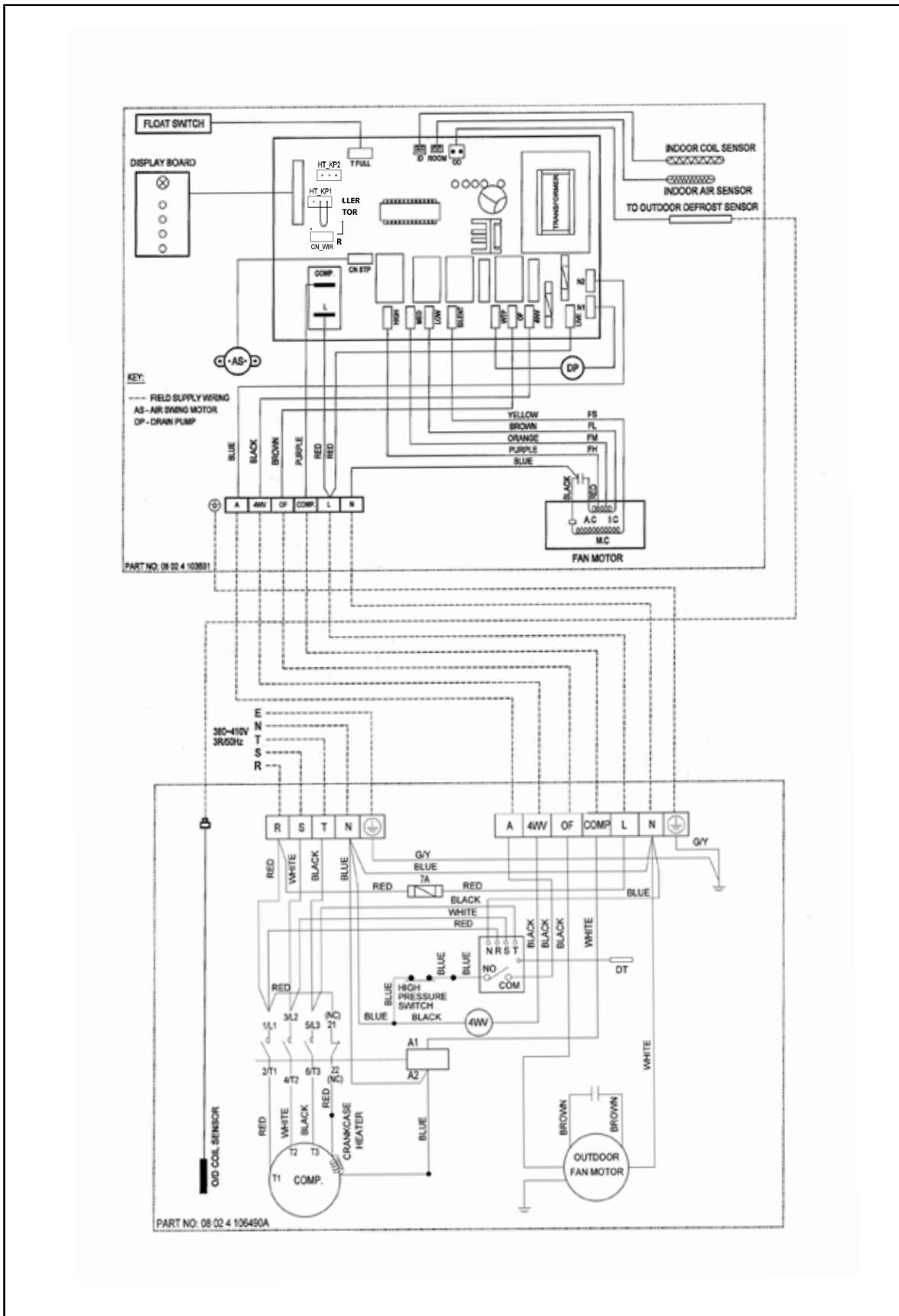
Indoor Unit
Model: A5CK28ER

Outdoor Unit
Model: A5LC28CR (3 Phase)



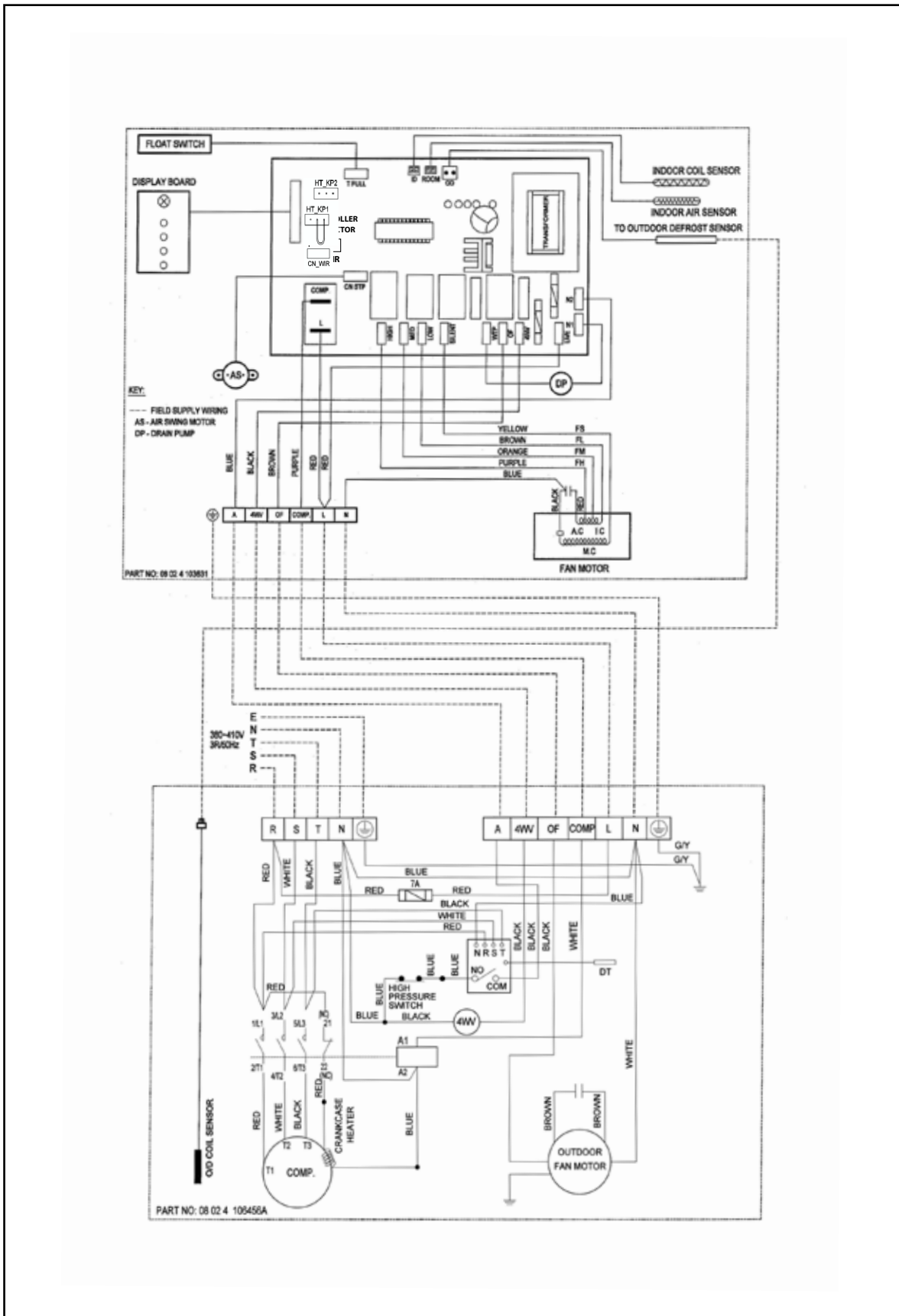
Indoor Unit
Model: ACK 40ER

Outdoor Unit
Model: ALC 40DR (3 Phase)



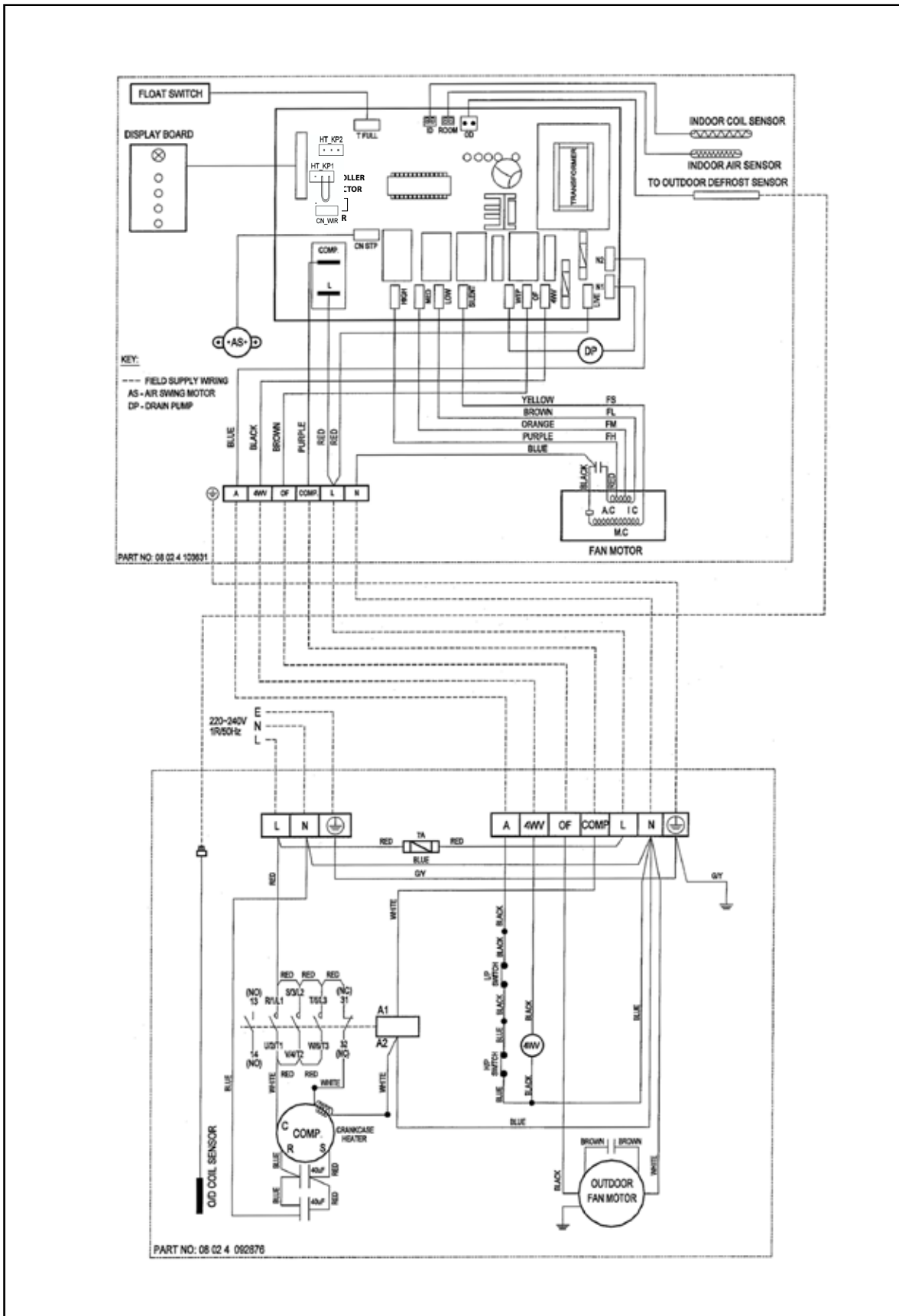
Indoor Unit
Model: ACK 50ER

Outdoor Unit
Model: ALC 50DR (3 Phase)



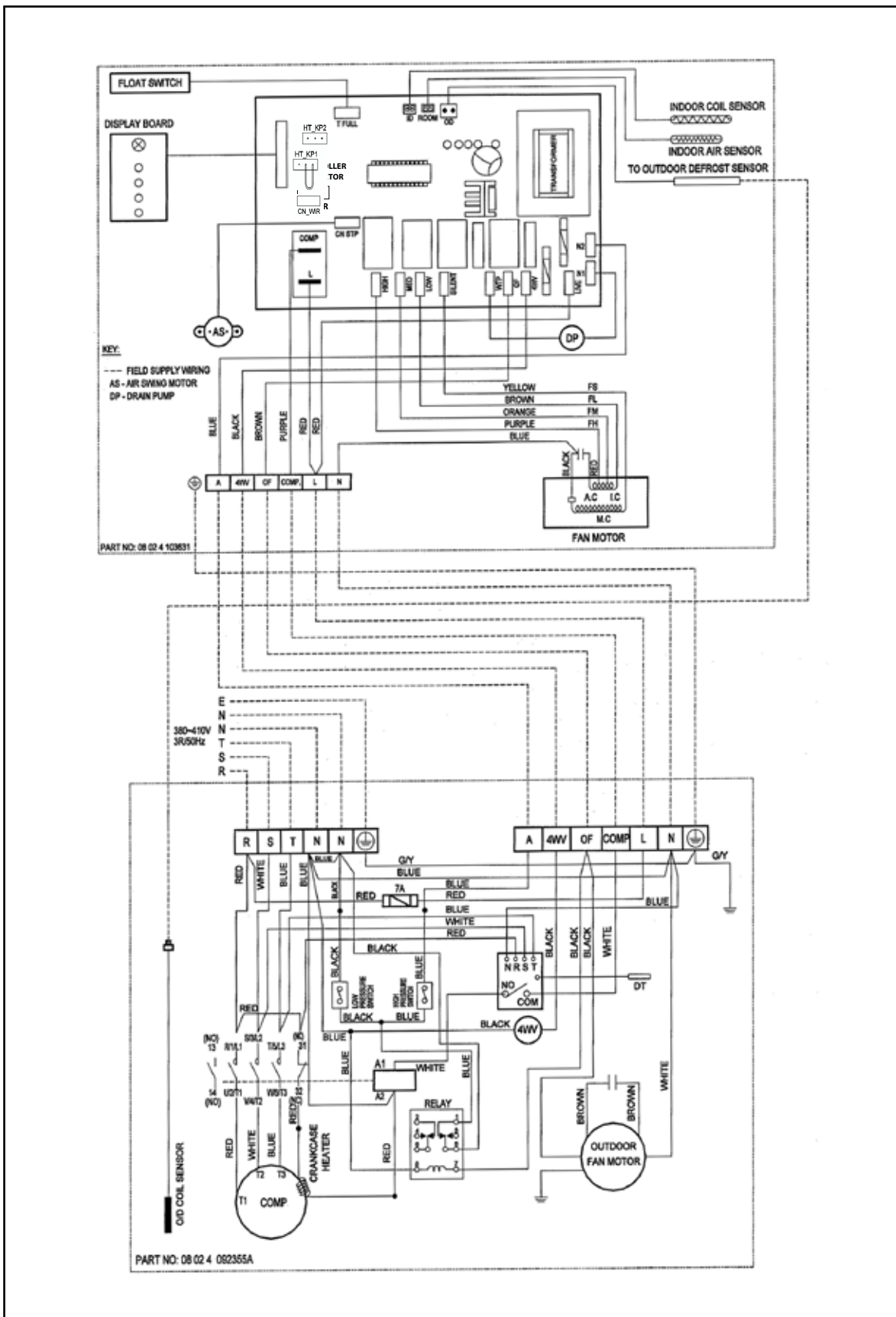
Indoor Unit
Model: A5CK 40ER

Outdoor Unit
Model: A5LC 40DR (1 Phase)



Indoor Unit
Model: A5CK 40/50ER

Outdoor Unit
Model: A5LC 35/40/50DR (3 Phase)



Service and Maintenance

Warning

- Disconnect from main supply before servicing the air conditioner.
- The unit is designed to give long life operation with minimum maintenance required. However, it should be regularly checked and the following items should be given due attention.

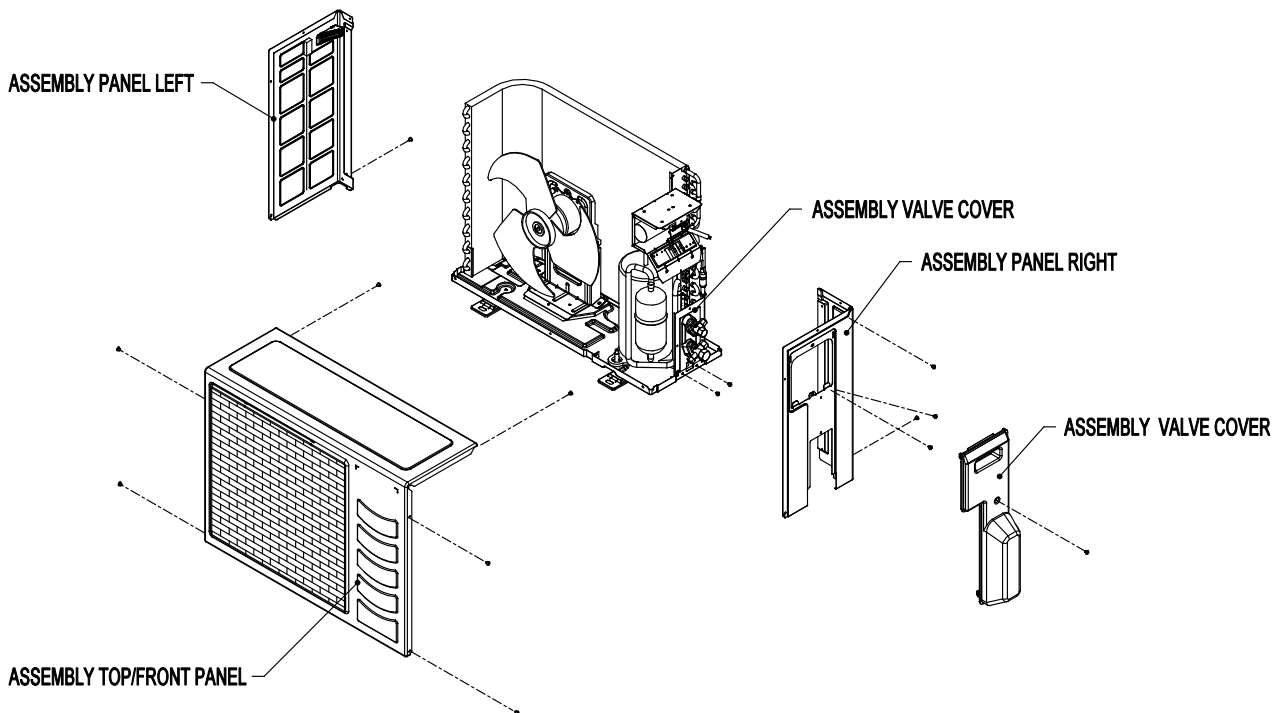
Components	Maintenance Procedures	Period
Air Filter (Indoor Unit)	<ol style="list-style-type: none"> 1. Remove any dust adhering to the filter by using a vacuum cleaner or wash in lukewarm water (below 40°C) with a neutral cleaning detergent. 2. Rinse the filter well and dry before placing it back onto the unit. 3. Note: Never use gasoline, volatile substances or chemicals to clean the filter. 	At least once every 2 weeks. More frequently if necessary.
Indoor Unit	<ol style="list-style-type: none"> 1. Clean any dirt or dust on the grille or panel by wiping it with a soft cloth soaked in lukewarm water (below 40°C) and a neutral detergent solution. 2. Note: Never use gasoline, volatile substances or chemicals to clean the indoor unit. 	At least once every 2 weeks. More frequently if necessary.
Condense Drain Pan & Pipe	<ol style="list-style-type: none"> 1. Check the cleanliness and clean it if necessary. 2. Check the condensate water flow. 	Every 3 months.
Indoor Fan	Check if there is any abnormal noise.	If necessary.
Indoor / Outdoor Coil	<ol style="list-style-type: none"> 1. Check and remove the dirt between the fins. 2. Check and remove any obstacles which hinder air flow through the indoor or outdoor. 	Every month.
Power Supply	<ol style="list-style-type: none"> 1. Check the running current and voltage for indoor and outdoor unit. 2. Check the electrical wiring and tighten the wire onto the terminal block if necessary. 	Every 2 months. Every year.
Compressor	No maintenance needed if refrigerant circuit remains sealed. However, check for refrigerant leak at joint and fitting.	Every 6 months.
Compressor Oil	Oil is factory charged. Not necessary to add oil if circuit remains sealed.	No maintenance required.
Fan Motor Oil	All motors are pre-lubricated and sealed at factory.	No maintenance required.

Pre Start Up Maintenance (After Extended Shutdown)

- Inspect thoroughly and clean indoor and outdoor units.
- Clean or replace air filters.
- Clean condensates drain line.
- Clean clogged indoor and outdoor coils.
- Check fan imbalance before operation.
- Tighten all wiring connections and panels.
- Check for refrigerant leakage.

For ALC Outdoor Models

The design of the ALC outdoor series allows servicing to be carried out easily. The removal of the top, front and side panels makes almost every part accessible.



Under normal circumstances, these outdoor units only require a check and cleaning of air intake coil surface once every 3 months. However, if a unit is installed in areas subjected to much oil mist and dust, the coils must be regularly cleaned by qualified Air Conditioner Service Technicians to ensure sufficient heat exchange and proper operation. Otherwise, the systems life span may be shortened.

Caution




Do not charge OXYGEN, ACETYLENE OR OTHER FLAMMABLE and poisonous gases into the unit when performing a leakage test or an airtight test. These gases could cause severe explosion and damage if exposed to high temperature and pressure. It is recommended that only nitrogen or refrigerant be charged when performing the leakage or airtight test.

Troubleshooting

INDICATOR LIGHTS

Model	Board	Handset
A(5)CK 20/25/28/40/50E/ER	L208A	GS02





LED Indicator Light Display – Cooling Only

		
POWER	TIMER	SLEEP

LED Indicator Light Display – Heat Pump

		
POWER	TIMER	HEAT / SLEEP

LED Light Diagnostic Table

				Error Code	Operation / Faulty Indication	Action
GREEN	ORANGE	RED	RED			
○				-	Cooling mode	-
○	○			-	Timer On	-
○		○		-	Sleep mode On	-
○			○	-	Heating mode	-
○			●	-	Auto mode in cooling operation	-
○			○	-	Auto mode in heating operation	-
● 1 time				E1	Room air sensor contact loose / short	Check room sensor connection / change room air sensor.
● 2 times				E2	Indoor coil sensor contact open	Check indoor coil sensor connection / change indoor coil sensor.
● 3 times				E3	Outdoor coil sensor contact open	Check outdoor coil sensor connection / change outdoor coil sensor.
	● 1 time			E4	Compressor overload protection / Indoor or Outdoor coil sensor short	If running ampere highly increase, change the compressor. If not, replace the coil sensor.
	● 2 times			E6	Pump fault	Clear the clogging at drain pipe. If pump is not working, change the pump.
	● 3 times			E5	Gas leak	Top up refrigerant / check for leakage.

○ ON

○ / ● ON or OFF

● BLINKING

Phase Sequencer

The unit with Scroll Compressor only can rotate in one direction. For this reason, a protective device (phase sequencer) is fitted to prevent incorrect wiring of the electrical phases. When the three phases are not connected correctly, the phase sequencer operates, and the unit will not start. This device is located in the control box of the outdoor unit.

The following table shows the LED indicator light for phase sequencer under normal operation and fault conditions.

Description	LED	PW (Red)	P_R (Yellow)	P_S (Yellow)	P_T (Yellow)	Actions
Normal Operation		○	●	●	●	-
Reverse Phase		◐	◐	◐	◐	Switch off the unit. Check the 3 phase wiring.
T Phase Missing		◐	●	●	◐	Switch off the unit. Check the 3 phase wiring.
S Phase Missing		◐	●	◐	●	Switch off the unit. Check the 3 phase wiring.
R Phase Missing		●	●	●	●	Switch off the unit. Check the 3 phase wiring.
S & T Phase Missing*		◐	●	◐	◐	Switch off the unit. Check the 3 phase wiring.
Overload*		◐	●	●	●	High discharge temperature. Check refrigerant system.
Sensor Missing*		◐	○	○	○	Switch off the unit. Plug in sensor.

○ ON

● OFF

◐ BLINK

Notes:

1. “ * ” indicates additional function for PP01 phase sequencer.
2. When R phase missing, no LED or buzzer will indicate the error, but relay 71 (COMMON) and 81 (NO) will cut off.
3. The unit will check discharge sensor availability only during power up.
4. All errors can only recover through manually reset.

Error Code / Fault Condition

When a malfunction of the air conditioner unit is detected, immediately switch off the main power supply before proceeding with the following troubleshooting procedures.

The following are common fault conditions and simple troubleshooting tips. If any other fault conditions which are not listed occur, contact your nearest local dealer. DO NOT attempt to troubleshoot the unit by yourself.

No	Fault conditions	Possible causes / corrective actions
1	The air conditioner unit will not resume after power failure.	<ul style="list-style-type: none"> The auto restart function is not functioning. Please turn on the unit with the wireless / wired controller.
2	The compressor does not operate 3 minutes after the air conditioner unit is started.	<ul style="list-style-type: none"> Protection against frequent starting. Wait for 3 or 4 minutes for the compressor to start operating by it self.
3	The airflow is too slow or room cannot be cooled sufficiently.	<ul style="list-style-type: none"> The air filter is dirty. The doors and windows are opened. The air suction and discharge of both indoor and outdoor units are clogged or blocked. The regulated temperature or temperature setting is not low enough.
4	Discharge airflow has bad odor.	<ul style="list-style-type: none"> Cigarettes, smoke particles, perfume and others, which might have adhered onto the coil, may cause odor. Contact your nearest dealer.
5	Condensation on the front air grille of the indoor unit.	<ul style="list-style-type: none"> This is caused by air humidity after an extended period of operation. The set temperature is too low. Increase the temperature setting and operate the unit at high fan speed.
6	Water flowing out from the air conditioner.	<ul style="list-style-type: none"> Switch off the unit and contact your nearest dealer. This might be due to tilted installation.
7	Hissing airflow sound from the air conditioner unit during operation.	<ul style="list-style-type: none"> Liquid refrigerant flowing into the evaporator coil.
8	The wireless controller display is dim.	<ul style="list-style-type: none"> The batteries are discharged. The batteries are not correctly inserted. The assembly is not good.
9	Compressor operates continuously.	<ul style="list-style-type: none"> Dirty air filter. Clean the air filter. Temperature setting too low (cooling). Use higher temperature setting. Temperature setting too high (heating). Use lower temperature setting.
10	No cool air comes out during cooling cycle, or no hot air comes out during heating cycle.	<ul style="list-style-type: none"> Temperature setting too high (cooling). Use lower temperature setting. Temperature setting too low (heating). Use higher temperature setting.
11	On heating cycle, warm air does not come out.	<ul style="list-style-type: none"> Unit is in defrost mode. Heating operation will resume after defrost cycle ends.

Diagnostic Guidelines

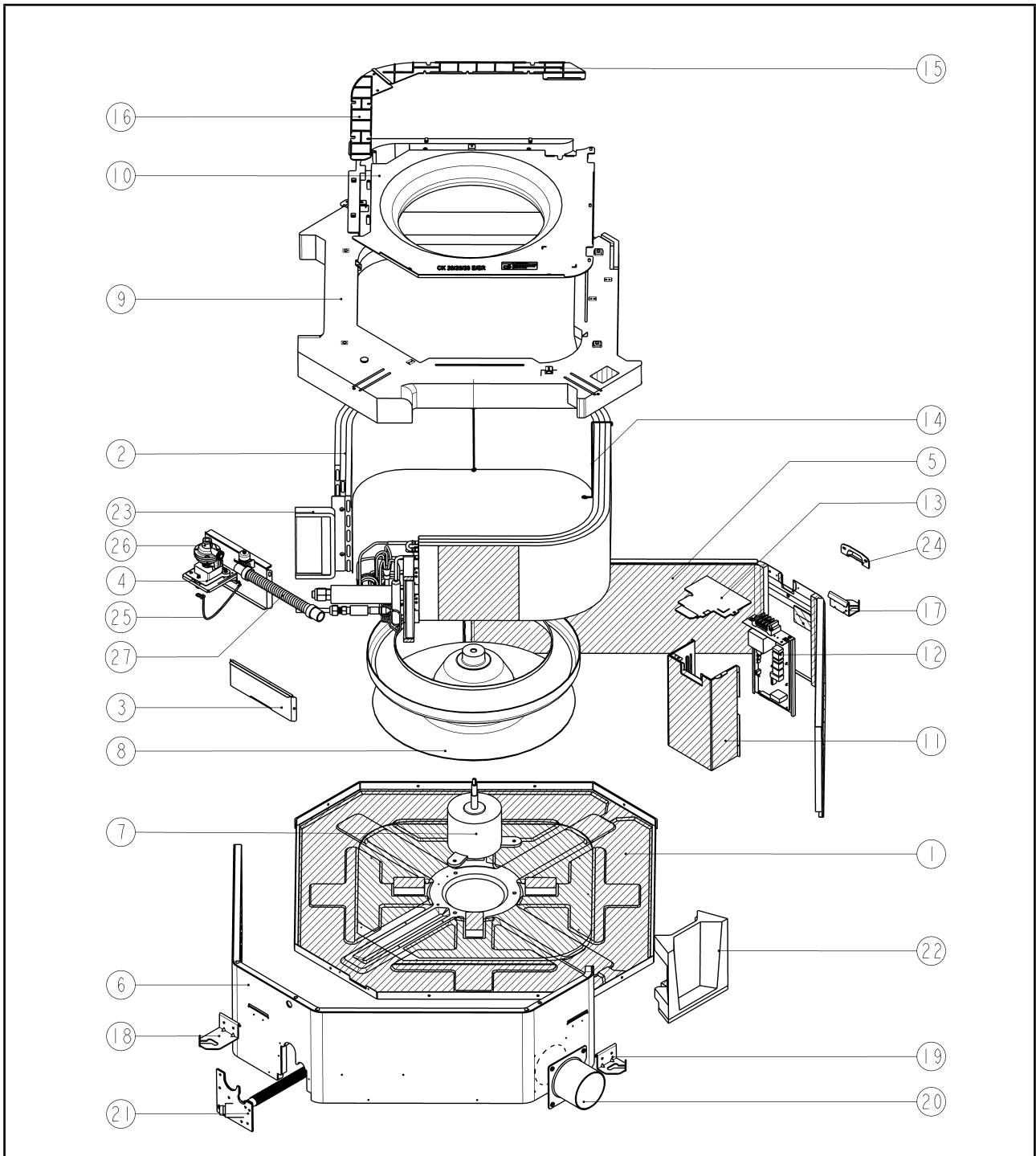
By means of pressure reading:

Circuit	Data	Pressure					Probable cause
		Too low	A little low	Normal	A little high	Too high	
High side Low side						<ul style="list-style-type: none"> • 1. Overcharged with refrigerant. • 2. Non-condensable gases in refrigerant circuit (e.g. air). 3. Obstructed air-intake / discharge. 4. Hot air short circuiting in outdoor unit. 	
High side Low side	•					<ul style="list-style-type: none"> • 1. Poor compression /no compression (compressor defective) 2. Reversing valve leaking. 	
High side Low side	•	•				<ol style="list-style-type: none"> 1. Undercharged with refrigerant. 2. Refrigerant leakage. 3. Air filter clogged / dirty (indoor unit). 4. Indoor fan locked / seized. 5. Defective defrost control, outdoor coil freeze up (heating). 6. Outdoor fan locked / seized (heating). 	
High side Low side				•	•	<ol style="list-style-type: none"> 1. Outdoor fan blocked (cooling). 2. Outdoor coil dirty (cooling). 3. Indoor fan locked / seized (heating). 4. Indoor air filter clogged / dirty (heating). 5. Non-condensable gases in refrigerant circuit (e.g. air). 	
High side Low side				•	•	<ol style="list-style-type: none"> 1. Air intake temperature of indoor unit too high. 	

Exploded View and Part List

Indoor Unit

Model: ACK/A5CK 20/25/28/40/50 E/ER



Note: All exploded view and part list are subjected to change by the manufacturer without prior notice

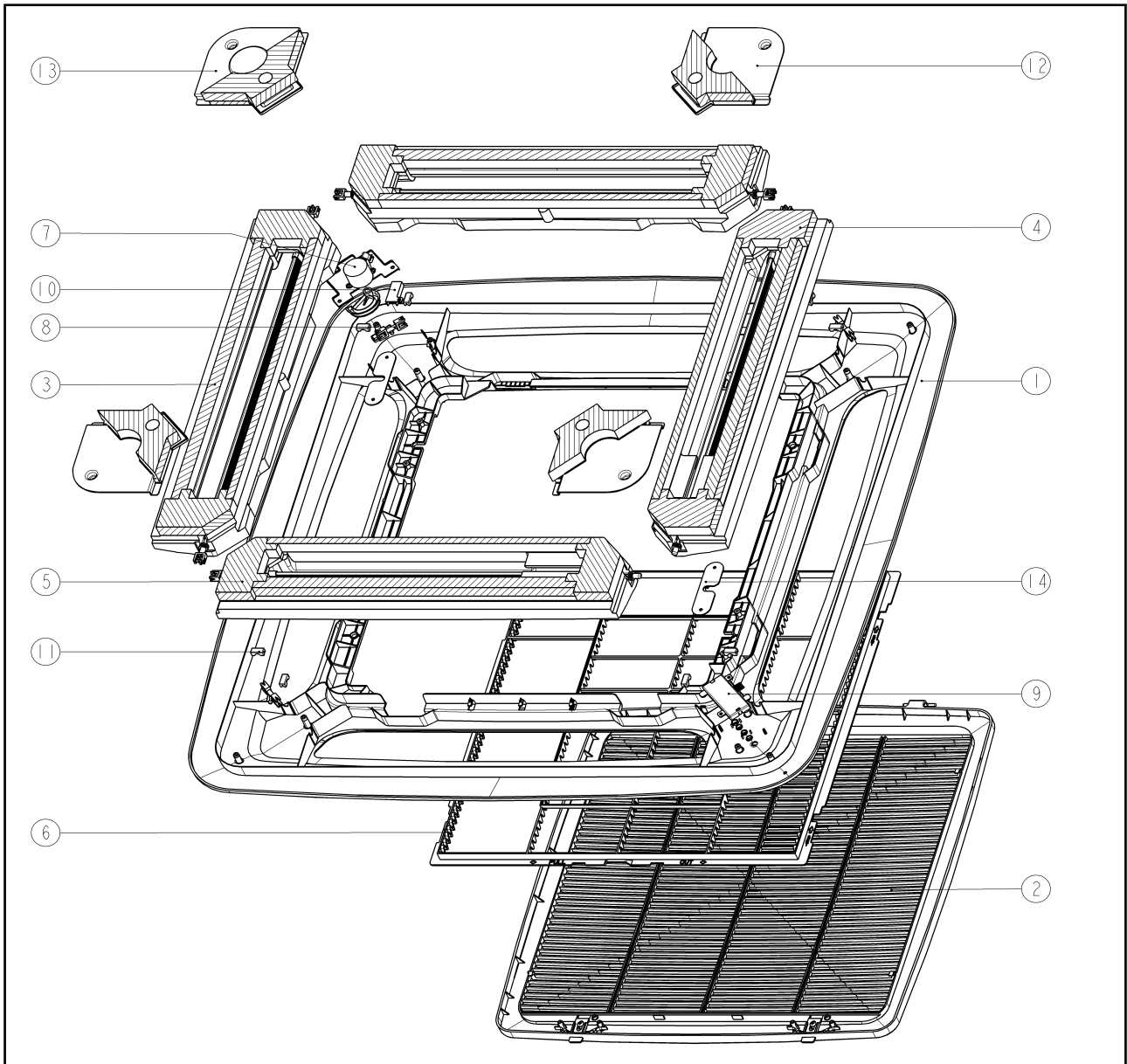
Indoor Unit**Model: ACK/A5CK 20/25/28/40/50 E/ER**

No	Description
1	Assy. Base Pan
2	Assy. Coil Main
3	Assy. Coil Bracket
4	Assy. Drain Pump Mounting
5	Assy. Panel Side Back
6	Assy. Side Panel Front
7	Motor
8	Blower, Turbo Fan
9	Assy. Drain Pan
10	Assy. Fan Cover
11	Assy. Cover Control Box
12	Assy. Control Box
13	Assy. Cover Terminal
14	Support, Coil B
15	Cover, Wire A
16	Cover, Wire B

No	Description
17	Bracket, Hanger A
18	Bracket, Hanger B
19	Bracket, Hanger C
20	Fresh Air Adaptor
21	Assembly, Valve Plate
22	Assy. Air Guide
23	Assy. Partition Holder
24	Cover, Wire
25	Switch Water Level 1A - CK Drain Pump
26	Pump, Water PC - 04226 - OYOB YCK
27	Hose, Drain PE 18.3 x 0.5 x 315.0
Parts Not in Diagram	
	L2 Control Module
	Capacitor, Motor

Note: All exploded view and part list are subjected to change by the manufacturer without prior notice

Indoor Unit
Model: ACK/A5CK-E/ER Panel

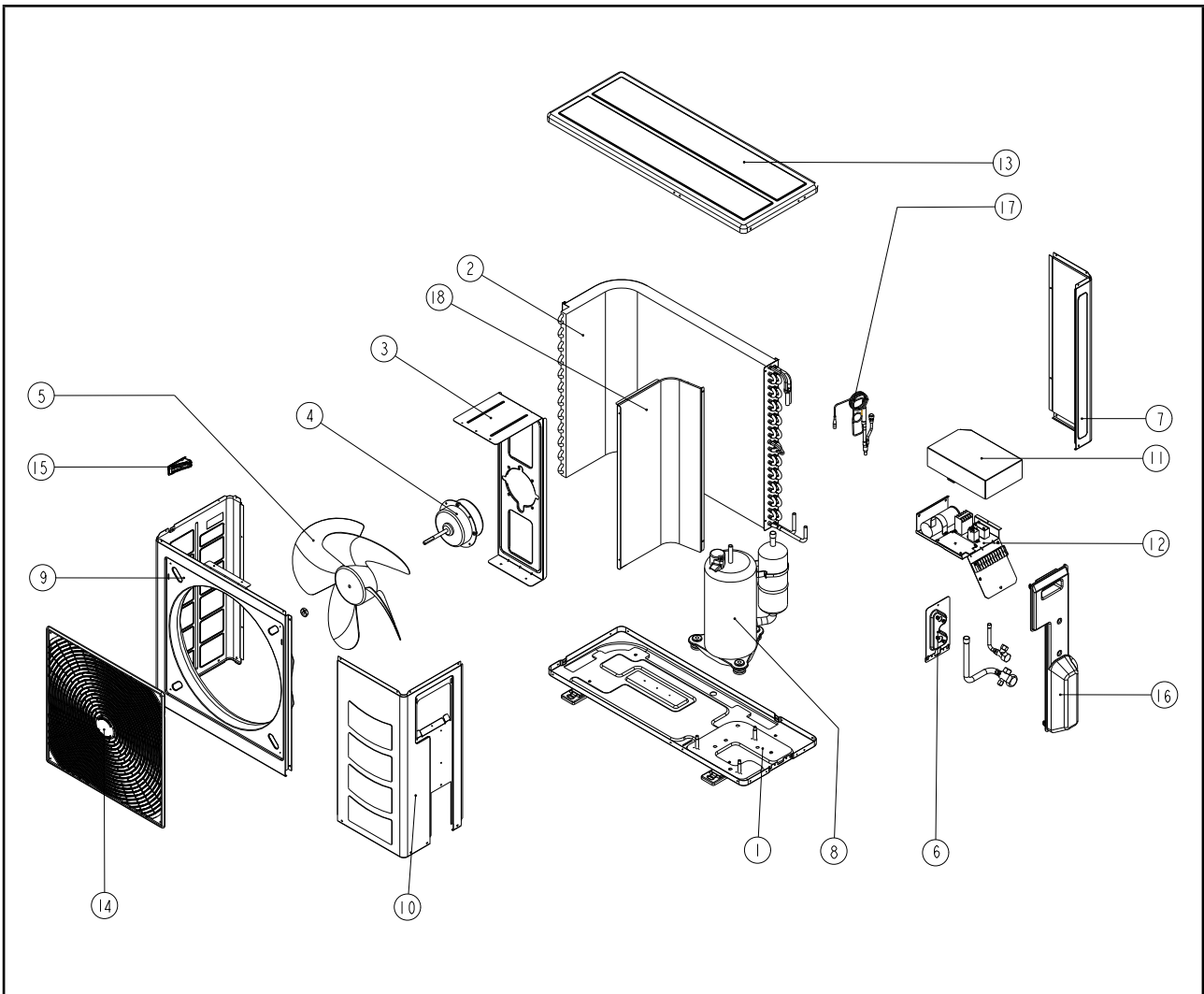


No	Description
1	Front, Frame
2	Assy. Intake Grille
3	Assy. Air Discharge Main
4	Assy. Air Discharge Main Right
5	Assy. Air Discharge Main Left
6	Filter, Air
7	Assy. Air Swing Motor
8	Crank Connector
9	Assy. LED
10	Wire, Guide

No	Description
11	Cover, Cross Connector
12	Assy. Cover Corner A
13	Assy. Cover Corner B
14	Mounting Plate
Parts Not in Diagram	
	GS02 Cooling Only
	GS02 Heatpump
	Assy. Louver

Note: All exploded view and part list are subjected to change by the manufacturer without prior notice

Outdoor Unit
Model: ALC 20C

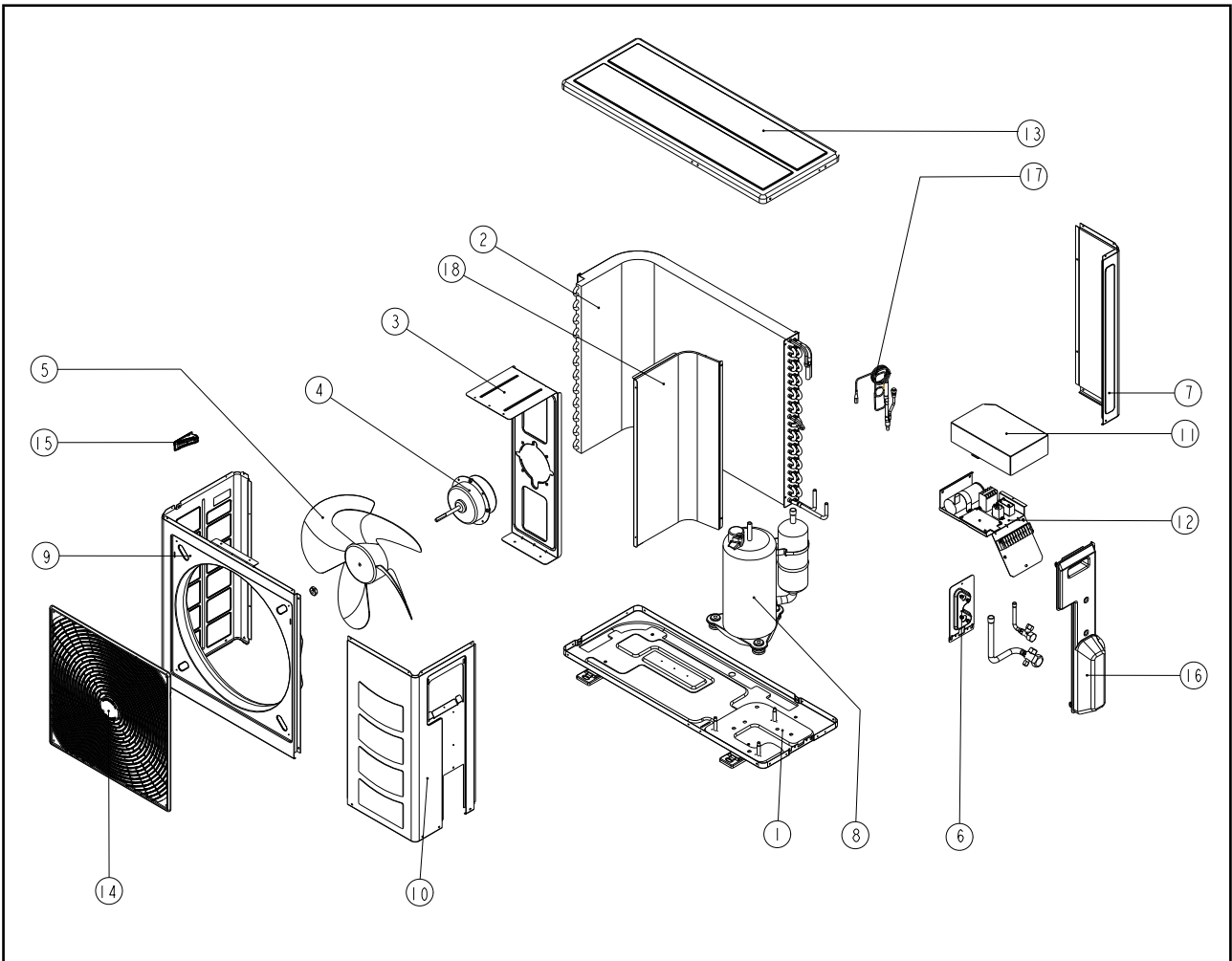


No	Description
1	Assy. Base Pan
2	Assy. Outdoor Coil
3	Bracket, Fan Motor
4	Fan Motor
5	Fan Blade
6	Assy. Valve Bracket
7	Back Panel, Right
8	Compressor
9	Front Panel, Left
10	Service Panel
11	Terminal Cover Panel
12	Assy. Control Panel
13	Top Panel
14	Assy. Front Grille

No	Description
15	Plastic Handle
16	Assy. Valve Cover
17	Assy. Cap Tube
18	Partition
Parts Not in Diagram	
	Capacitor, Compressor
	Capacitor, Fan Motor
	Assy. Flare 3 Ways Valve 5/8"
	Assy. Flare 2 Ways Valve 1/4"

Note: All exploded view and part list are subjected to change by the manufacturer without prior notice

Outdoor Unit
Model: ALC 25/28C

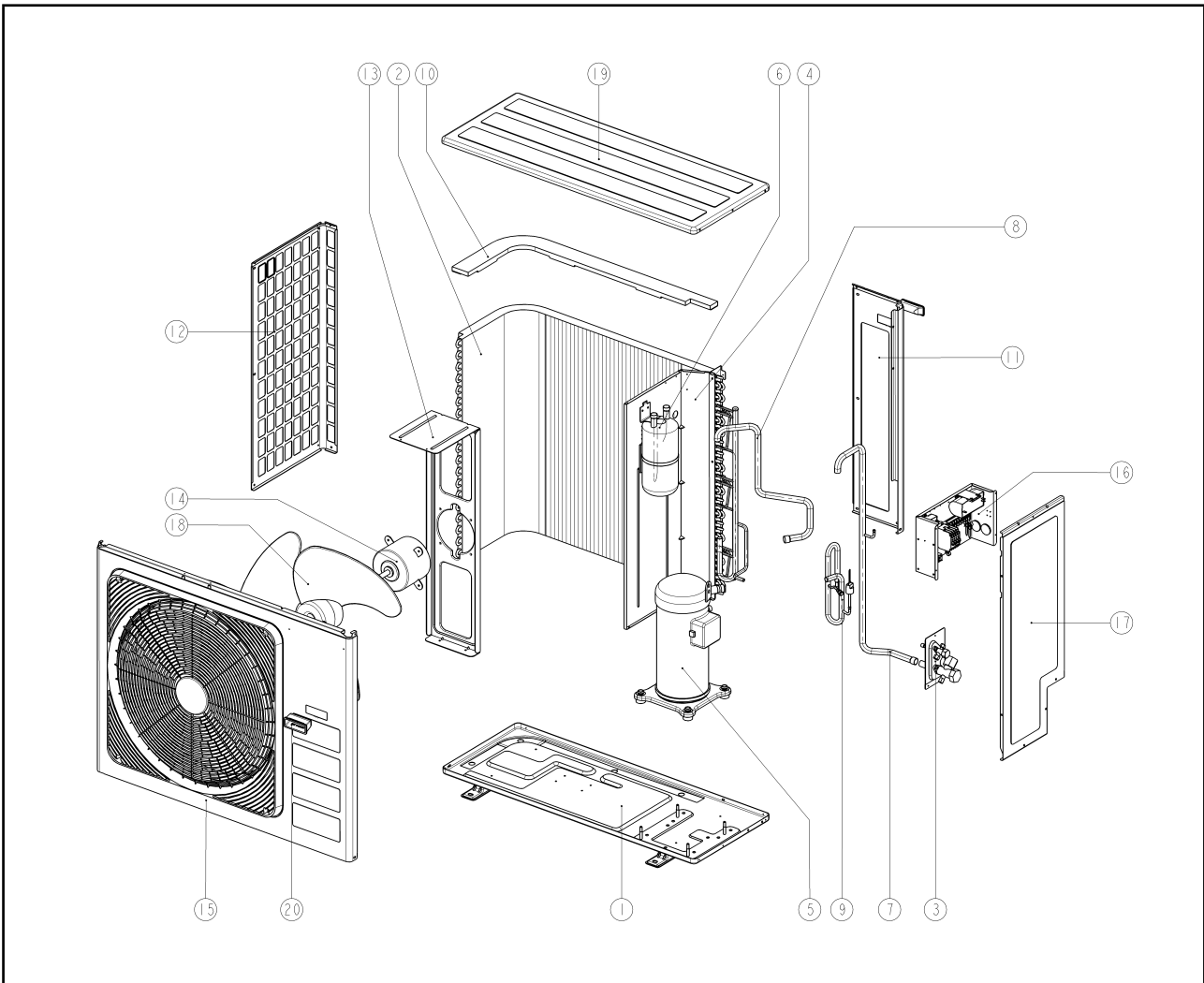


No	Description
1	Assy. Base Pan
2	Assy. Outdoor Coil
3	Bracket, Fan Motor
4	Fan Motor
5	Fan Blade
6	Assy. Valve Bracket ALC 25/28C
7	Back Panel, Right
8	Compressor
9	Front Panel, Left
10	Service Panel
11	Terminal Cover Panel
12	Assy. Control Panel

No	Description
13	Top Panel
14	Assy. Front Grille
15	Plastic Handle, Side
16	Assy. Valve Cover
17	Assy. Cap Tube, ALC 25C
18	Partition
Parts Not in Diagram	
	Capacitor, Compressor
	Capacitor, Fan Motor
	Felt, Compressor
	Assy. Flare 3 Ways Valve 5/8"
	Assy. 3 Ways Valve 3/8"

Note: All exploded view and part list are subjected to change by the manufacturer without prior notice

Outdoor Unit
Model: ALC 35/40/50D

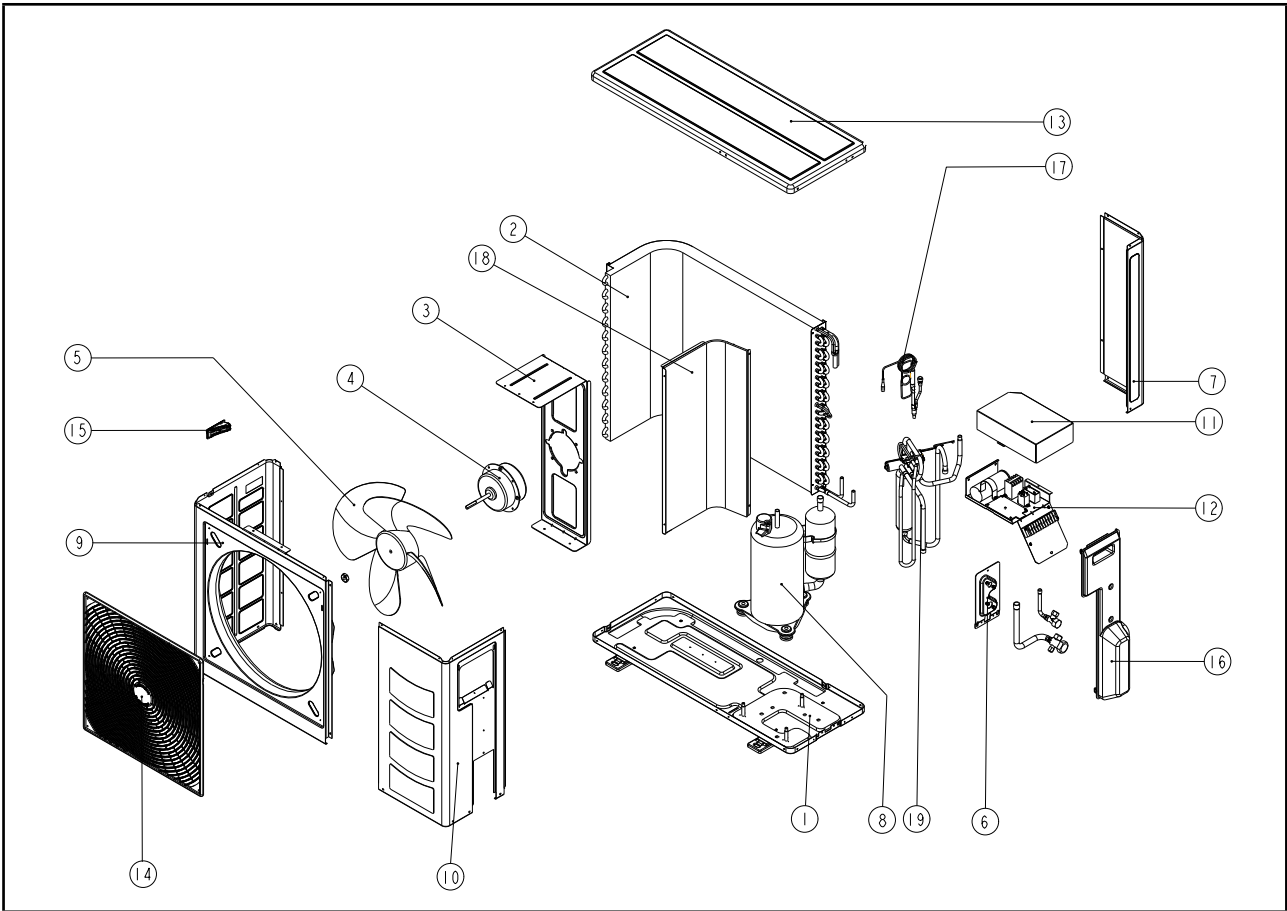


No	Description
1	Assy. Base Pan
2	Assy. Coil
3	Plate, Valve
4	Assy. Partition Insulation
5	Assy. Compressor
6	Accumulator
7	Assy. Accumulator To Valve Outlet
8	Tube, Accumulator To Suction
9	Assy. Tube Discharge
10	Assy. Pad Coil Cover
11	Panel Back Right
12	Panel Side Left
13	Fan Motor Bracket

No	Description
14	Fan Motor
15	Front Panel
16	Assy. Control Box
17	Service Panel
18	Propeller Fan 24"
19	Top Panel
20	Handling Handle
Parts Not in Diagram	
	Capacitor, Compressor
	Capacitor, Fan Motor
	Contactors
	Phase Protector
	Valve Access

Note: All exploded view and part list are subjected to change by the manufacturer without prior notice

Outdoor Unit
Model: ALC 20CR

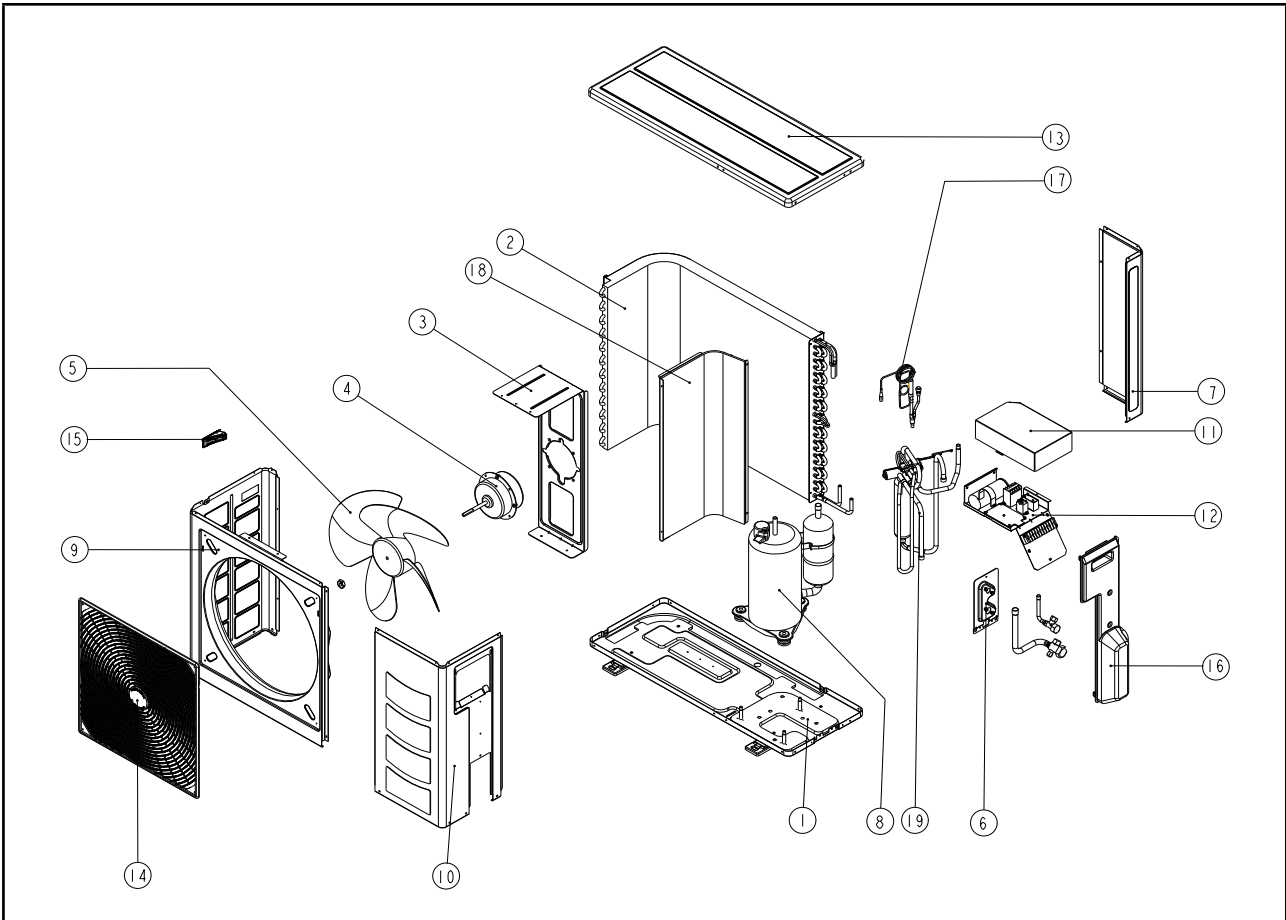


No	Description
1	Assy. Base Pan
2	Assy. Outdoor Coil
3	Bracket, Fan Motor
4	Fan Motor
5	Fan Blade
6	Valve Bracket
7	Back Panel, Right
8	Compressor
9	Front Panel, Left
10	Service Panel
11	Terminal Cover Panel
12	Assy. Control Panel
13	Top Panel

No	Description
14	Assy. Front Grille
15	Plastic Handle
16	Assy. Valve Cover
17	Assy. Cap Tube
18	Partition
19	4 Way Valve
Parts Not in Diagram	
	Capacitor, Fan Motor
	Capacitor, Compressor
	Assy. Flare 3 Ways Valve 5/8"
	Assy. Flare 2 Ways Valve 1/4"

Note: All exploded view and part list are subjected to change by the manufacturer without prior notice

Outdoor Unit
Model: ALC 25/28CR

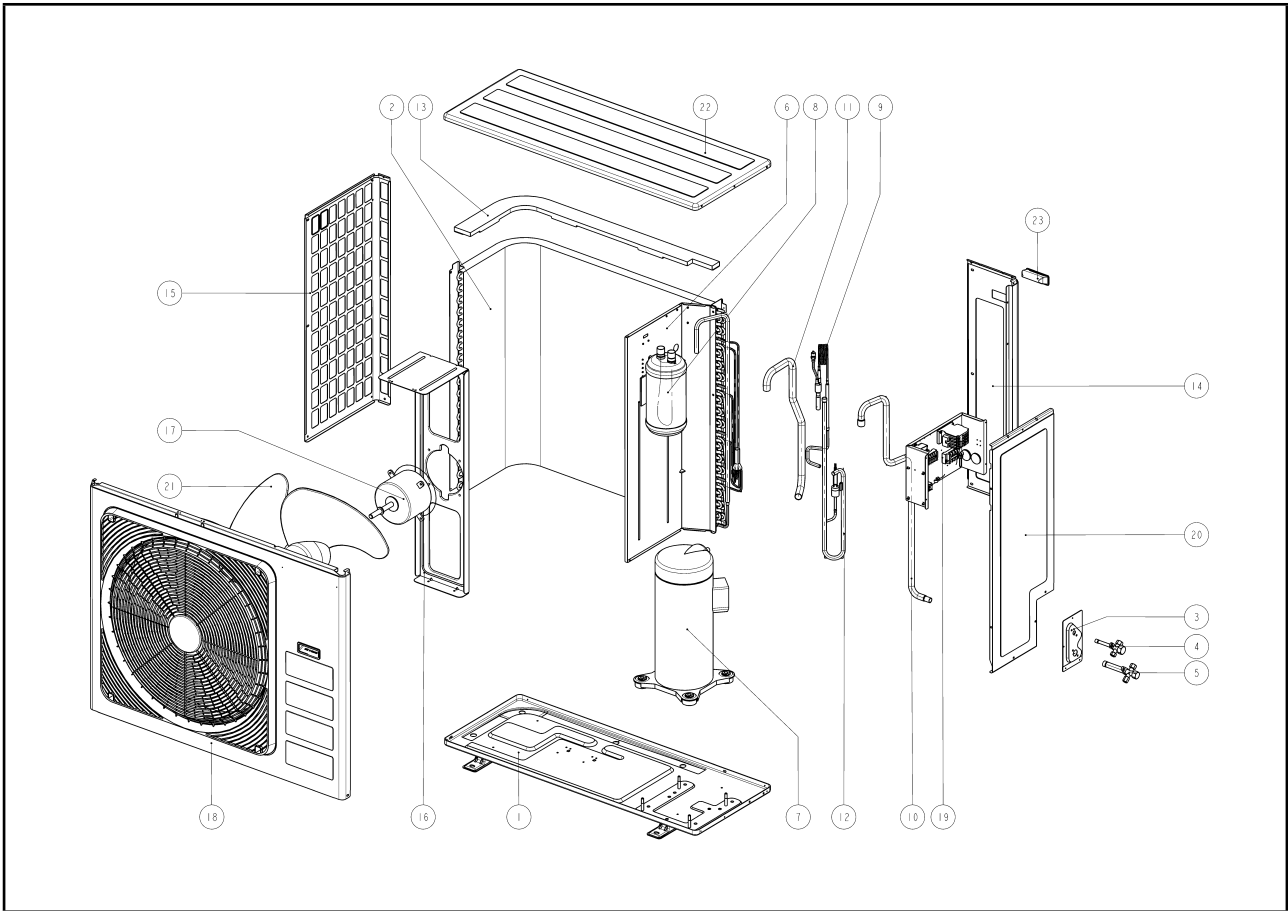


No	Description
1	Assy. Base Pan
2	Assy. Outdoor Coil
3	Bracket, Fan Motor
4	Fan Motor
5	Fan Blade
6	Valve Bracket
7	Back Panel, Right
8	Compressor
9	Front Panel, Left
10	Service Panel
11	Terminal Cover Panel
12	Assy. Control Panel
13	Top Panel

No	Description
14	Assy. Front Grille
15	Plastic Handle, Side
16	Assy. Valve Cover
17	Assy. Cap Tube
18	Partition
19	4 Way Valve
Parts Not in Diagram	
	Capacitor, Fan Motor
	Capacitor, Compressor
	Assy. Flare 3 Ways Valve 5/8"
	Assy. Flare 3 Ways Valve 3/8"

Note: All exploded view and part list are subjected to change by the manufacturer without prior notice

Outdoor Unit
Model: ALC 35/40/50DR

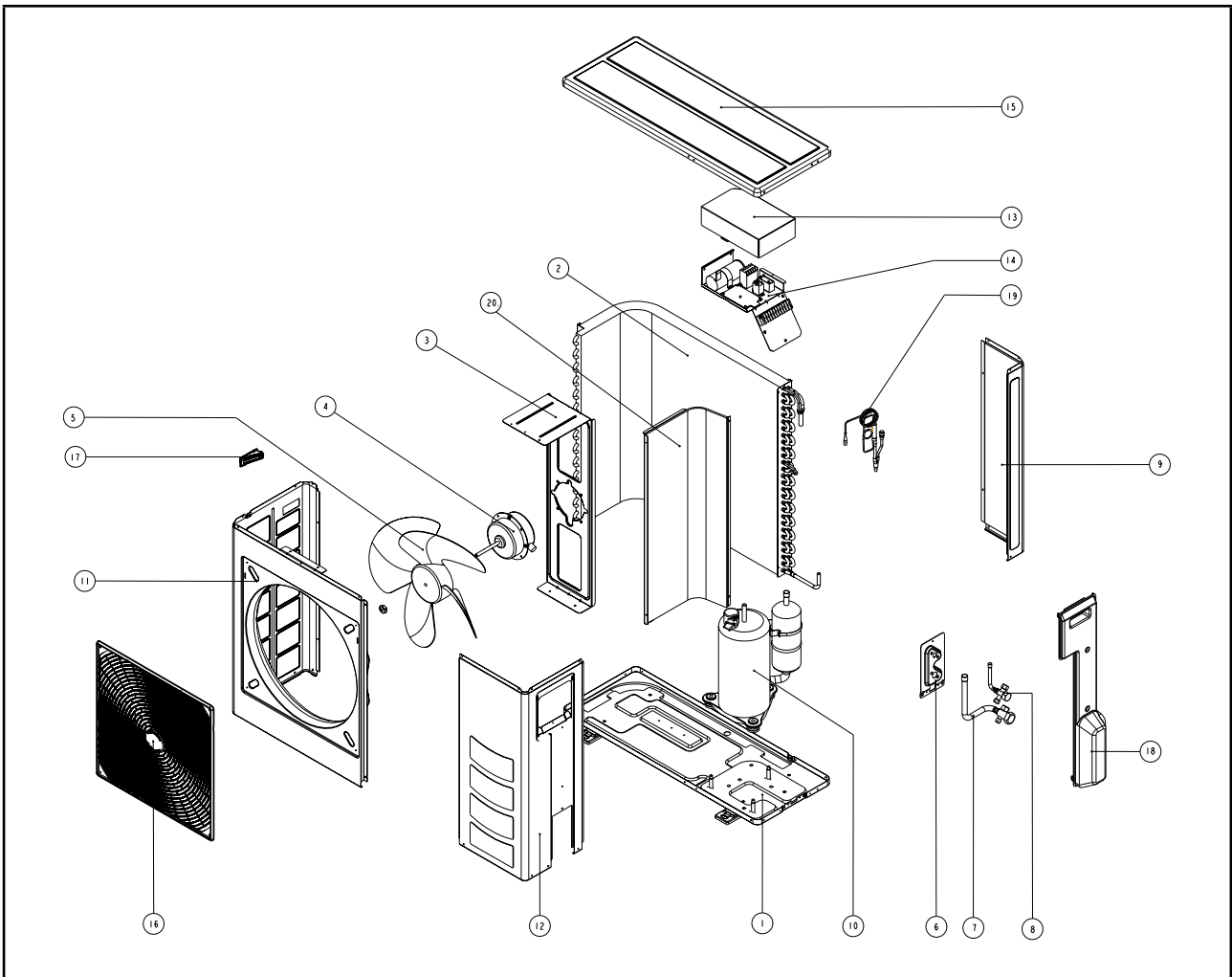


No	Description
1	Assy. Base Pan
2	Assy. Coil
3	Plate, Valve
4	Assy. Flare Valve 3/8"
5	Assy. Valve 3/4"
6	Assy. Partition Insulation
7	Assy. Compressor
8	Accumulator
9	Assy. Capillary Tube
10	Assy. Accumulator To Valve Outlet
11	Tube, Accumulator To Suction
12	Assy. Tube Discharge
13	Assy. Pad Coil Cover
14	Panel Back Right
15	Panel Side Left

No	Description
16	Fan Motor Bracket
17	Fan Motor
18	Front Panel
19	Assy. Control Box
20	Service Panel
21	Propeller Fan 24"
22	Top Panel
23	Handling Handle
Parts Not in Diagram	
	Capacitor, Compressor
	Capacitor, Fan Motor
	Contactors
	Phase Protector
	Valve Access
	4 Way Valve

Note: All exploded view and part list are subjected to change by the manufacturer without prior notice

**Outdoor Unit
Model: A5LC 20C**

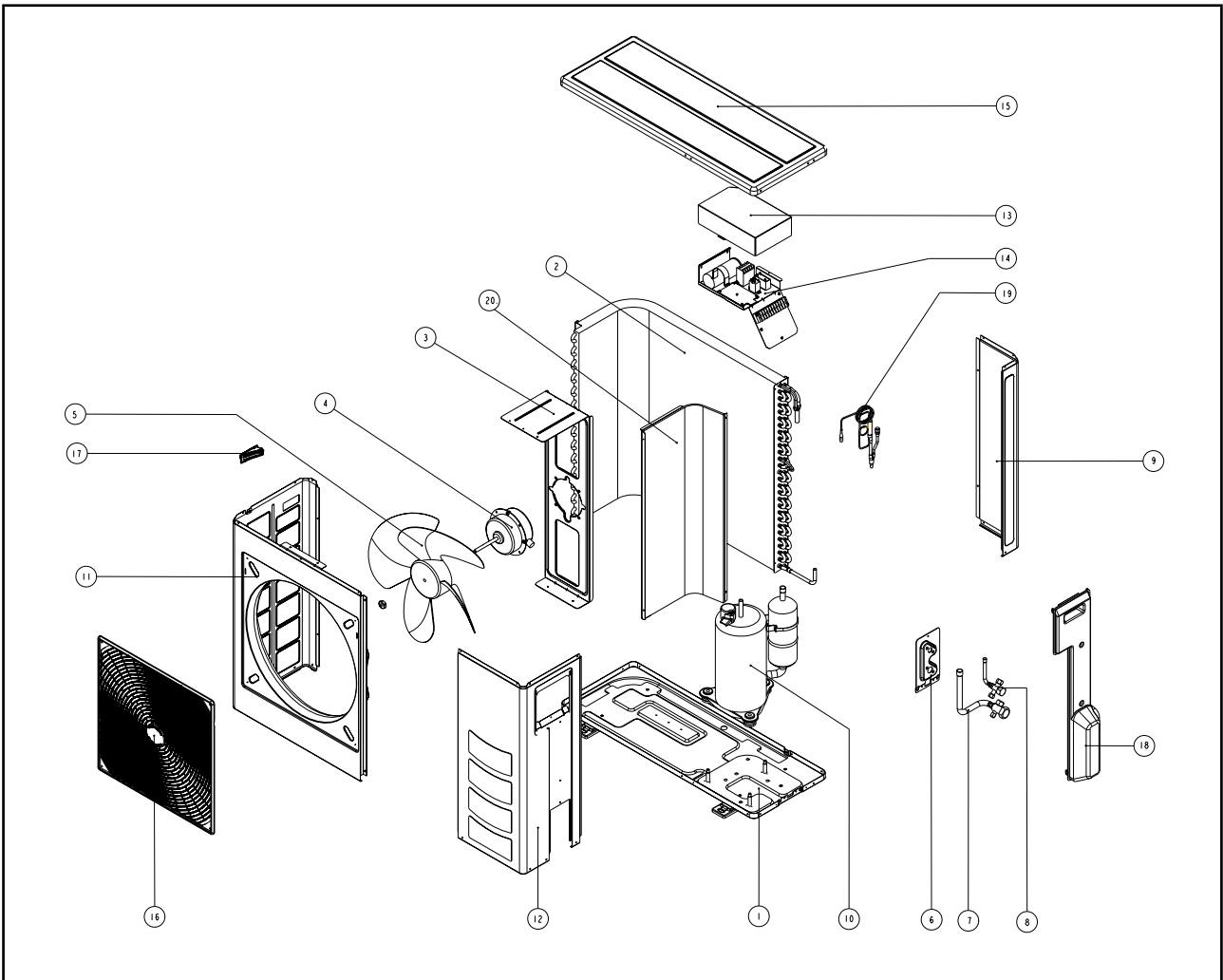


No	Description
1	Assy. Base Pan
2	Assy. Outdoor Coil
3	Bracket, Fan Motor
4	Fan Motor
5	Fan Blade
6	Valve Bracket
7	Assy. Flare 3 Ways Valve 1/2"
8	Assy. Flare 2 Ways Valve 1/4"
9	Back Panel, Right
10	Compressor
11	Front Panel, Left
12	Service Panel
13	Terminal Cover Panel

No	Description
14	Assy. Control Panel
15	Top Panel
16	Assy. Front Grille
17	Plastic Handle
18	Assy. Valve Cover
19	Assy. Cap Tube
20	Partition
Parts Not in Diagram	
	Capacitor, Fan Motor
	Capacitor, Compressor
	Defrost Thermistor

Note: All exploded view and part list are subjected to change by the manufacturer without prior notice

Outdoor Unit
Model: A5LC 25/28C

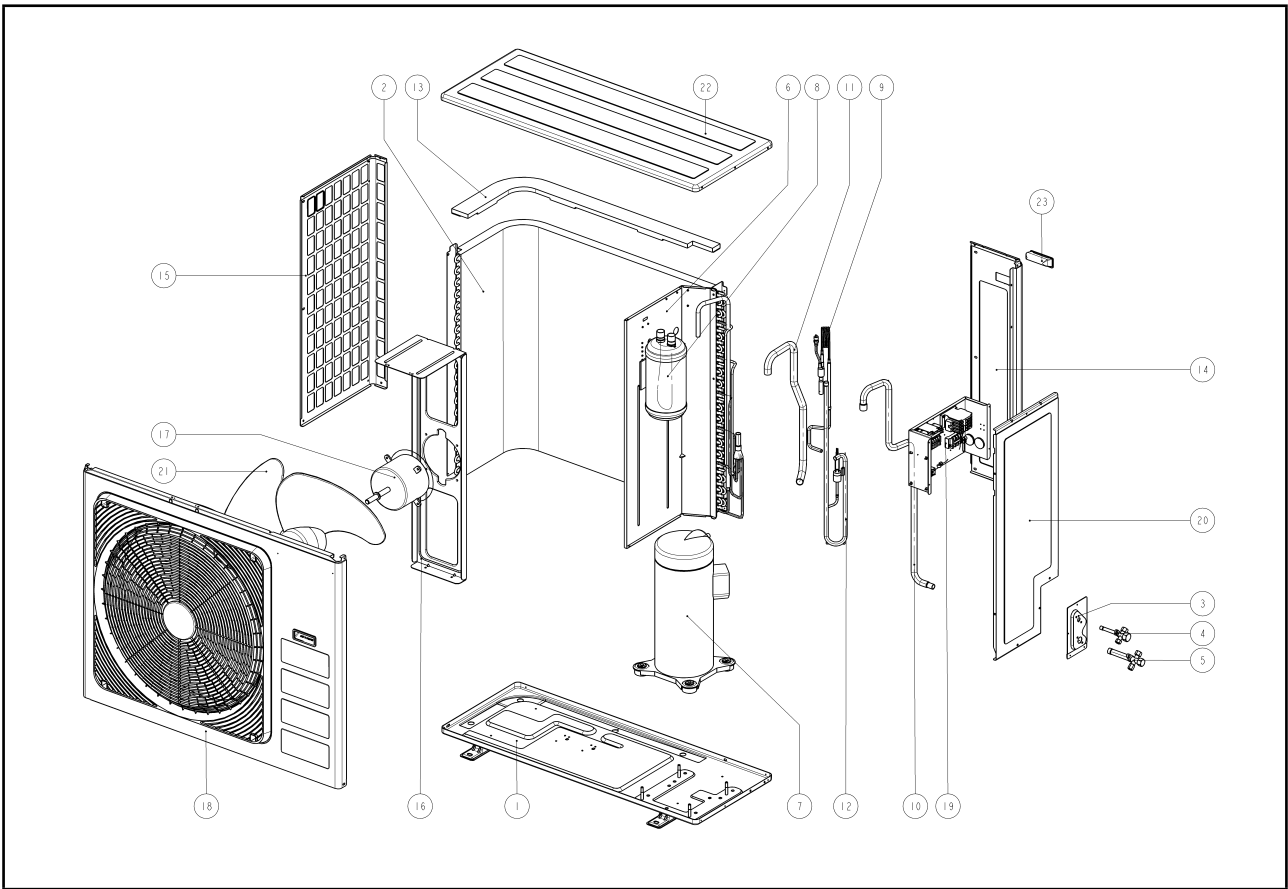


No	Description
1	Assy. Base Pan
2	Assy. Outdoor Coil
3	Bracket, Fan Motor
4	Fan Motor
5	Fan Blade
6	Assy. Valve Bracket
7	Assy. Flare 3 Ways Valve 5/8"
8	Assy. 2 Ways Valve 1/4", A5LC 25C
	Assy. 3 Ways Valve 3/8", A5LC 28C
9	Back Panel, Right
10	Compressor
11	Front Panel, Left

No	Description
12	Service Panel
13	Terminal Cover Panel
14	Assy. Control Panel
15	Top Panel
16	Assy. Front Grille
17	Plastic Handle, Side
18	Assy. Valve Cover
19	Assy. Cap Tube
20	Partition
Parts Not in Diagram	
	Capacitor, Compressor
	Capacitor, Fan Motor

Note: All exploded view and part list are subjected to change by the manufacturer without prior notice

Outdoor Unit
Model: A5LC 35/40/50D

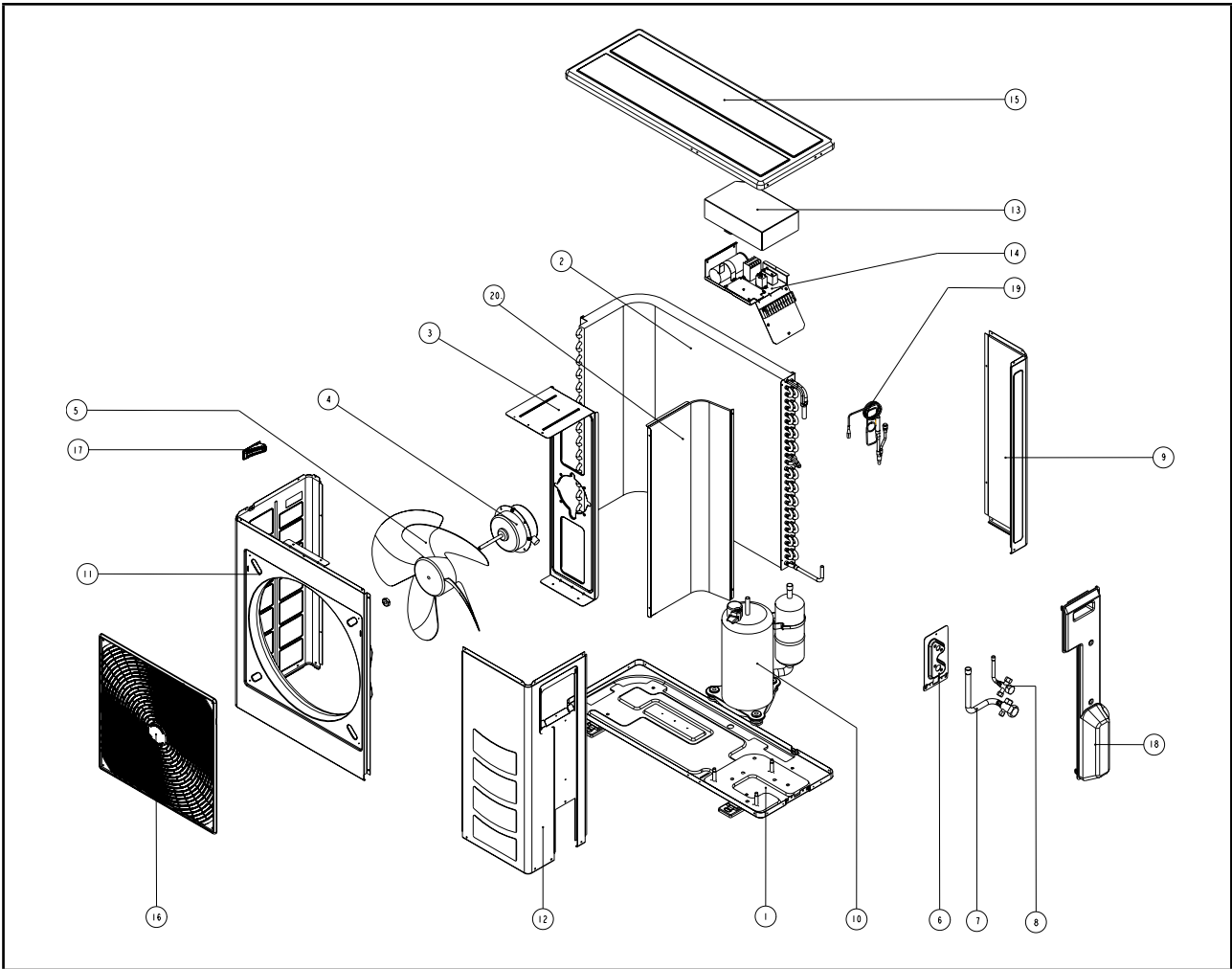


No	Description
1	Assy. Base Pan
2	Assy. Coil
3	Plate, Valve
4	Assy. Flare 3 Way Valve 3/8"
5	Assy. Flare 3 Way Valve 5/8"
6	Assy. Partition Insulation
7	Assy. Compressor
8	Accumulator
9	Assy. Capillary Tube
10	Assy. Accumulator To Valve Outlet
11	Tube, Accumulator To Suction
12	Assy. Tube Discharge
13	Assy. Pad Coil Cover
14	Panel Back Right
15	Panel Side Left

No	Description
16	Fan Motor Bracket
17	Fan Motor
18	Front Panel
19	Assy. Control Box
20	Service Panel
21	Propeller Fan 24"
22	Top Panel
23	Handling Handle
Parts Not in Diagram	
	Capacitor, Compressor
	Capacitor, Fan Motor
	Contact
	Phase Protector
	Valve Access

Note: All exploded view and part list are subjected to change by the manufacturer without prior notice

Outdoor Unit
Model: A5LC 20CR

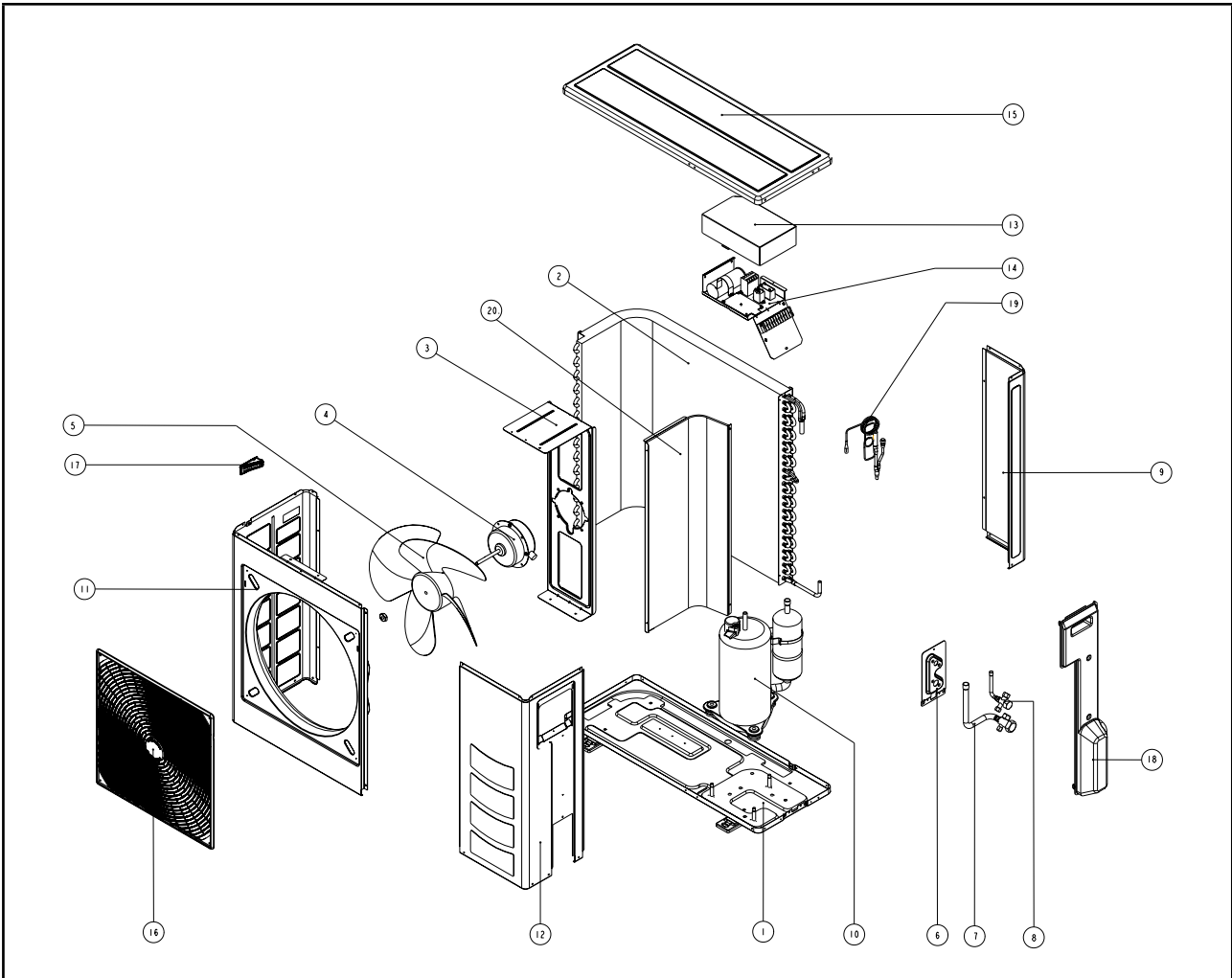


No	Description
1	Assy. Base Pan
2	Assy. Outdoor Coil
3	Bracket, Fan Motor
4	Fan Motor
5	Fan Blade
6	Valve Bracket
7	Assy. Flare 3 Ways Valve 1/2"
8	Assy. Flare 2 Ways Valve 1/4"
9	Back Panel, Right
10	Compressor
11	Front Panel, Left
12	Service Panel
13	Terminal Cover Panel

No	Description
14	Assy. Control Panel
15	Top Panel
16	Assy. Front Grille
17	Plastic Handle
18	Assy. Valve Cover
19	Assy. Cap Tube
20	Partition
Parts Not in Diagram	
	Capacitor, Fan Motor
	Capacitor, Compressor
	Valve, Rev 4 Way
	Defrost Thermistor

Note: All exploded view and part list are subjected to change by the manufacturer without prior notice

Outdoor Unit
Model: A5LC 25/28CR

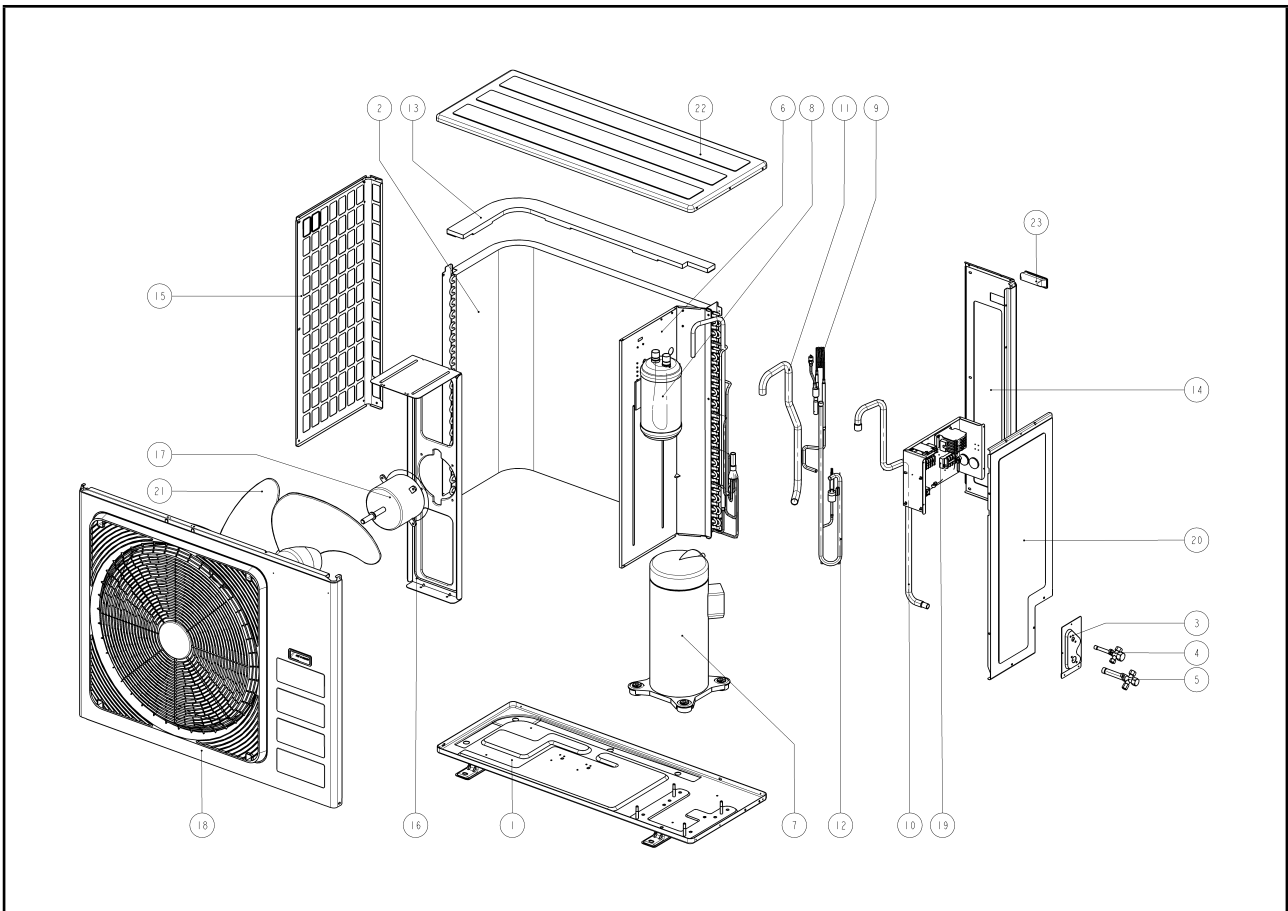


No	Description
1	Assy. Base Pan
2	Assy. Outdoor Coil
3	Bracket, Fan Motor
4	Fan Motor
5	Fan Blade
6	Assy. Valve Bracket
7	Assy. Flare 3 Ways Valve 5/8"
8	Assy. 2 Ways Valve 1/4", A5LC 25CR Assy. 3 Ways Valve 3/8", A5LC 28CR
9	Back Panel, Right
10	Compressor
11	Front Panel, Left
12	Service Panel

No	Description
13	Terminal Cover Panel
14	Assy. Control Panel
15	Top Panel
16	Assy. Front Grille
17	Plastic Handle, Side
18	Assy. Valve Cover
19	Assy. Cap Tube
20	Partition
Parts Not in Diagram	
	Capacitor, Compressor
	Capacitor, Fan Motor
	Valve, Rev 4 Way

Note: All exploded view and part list are subjected to change by the manufacturer without prior notice

Outdoor Unit
Model: A5LC 35/40/50DR



No	Description
1	Assy. Base Pan
2	Assy. Coil
3	Plate, Valve
4	Assy. Flare 3 Way Valve 3/8"
5	Assy. Flare 3 Way Valve 5/8"
6	Assy. Partition Insulation
7	Assy. Compressor
8	Accumulator
9	Assy. Capillary Tube
10	Assy. Accumulator To Valve Outlet
11	Tube, Accumulator To Suction
12	Assy. Tube Discharge
13	Assy. Pad Coil Cover
14	Panel Back Right
15	Panel Side Left

No	Description
16	Fan Motor Bracket
17	Fan Motor
18	Front Panel
19	Assy. Control Box
20	Service Panel
21	Propeller Fan 24"
22	Top Panel
23	Handling Handle
Parts Not in Diagram	
	Capacitor, Compressor
	Capacitor, Fan Motor
	Contactator
	Phase Protector
	Valve Access
	4 Way Valve

Note: All exploded view and part list are subjected to change by the manufacturer without prior notice

ACSON MALAYSIA SALES & SERVICE SDN.BHD. (129688-D)

a member of **DAIKIN** group

Lot 4, Lorong 19/1A, Seksyen 19, 46300 Petaling Jaya,
Selangor Darul Ehsan, MALAYSIA.

Tel : +603 7964 8200 Sales Fax : +603 7956 9909

Service Fax : +603 7956 9907 Acson Careline : 1300 22 3344

Penang : +604-5377 176

Perak : +605-3129 828

Melaka : +606-2926 196

Johor : +607-3551 599

Pahang : +609 5178 696

Kelantan : +609-7733 688

Sarawak : +6082-344 128

Sabah : +6088-420 205

Authorized Dealer :

Products manufactured in an ISO certified facility.
This document contains the most current product information as of this printing.
For the most up-to-date product information, please logon to www.acson.com.my