

## Modular Motor Protection Switches series MP (BE4)



BE400306



BE400206

<b>Rated current:</b>	400 V, 50 Hz
<b>Rated isolation voltage:</b>	440 V AC
<b>Rated nominal current:</b>	max. 40 A, adjustable
<b>Terminal cross section:</b>	1-25 mm <sup>2</sup>
<b>Compensation of temperature:</b>	-25° C up to +40° C

### Motor-power and currents

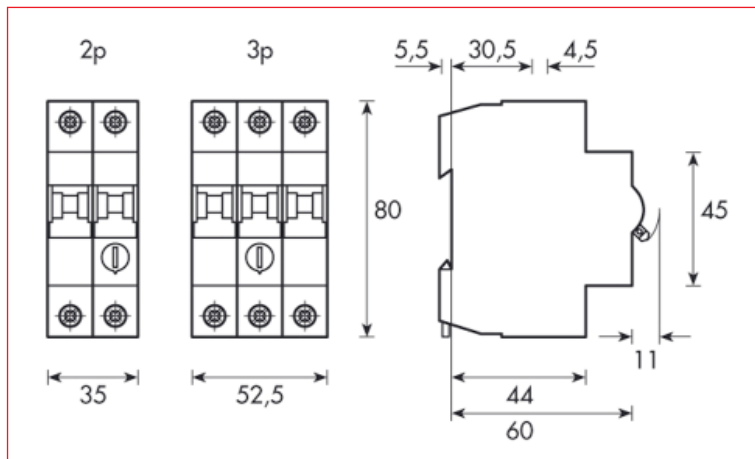
1-phase 230-240V-AC		3-phase 230-240V-AC		3phase 400-415V-AC		Setting-range for overcurrent relay	2-pole		3-pole	
kW	A	kW	A	kW	A	A	type	article	type	article
				0.06	0.2	0.16 - 0.25	MP 0.25/2	BE400202	MP 0.25/3	BE400302
		0.06	0.4	0.09	0.3	0.25 - 0.4	MP 0.40/2	BE400203	MP 0.40/3	BE400303
		0.09	0.5	0.12	0.4	0.4 - 0.63	MP 0.63/2	BE400204	MP 0.63/3	BE400304
				0.18	0.6	0.4-0.63	MP 0.63/3	BE400205	MP 0.63/3	BE400305
0.06	0.7	0.12	0.7	0.25	0.8	0.63 - 1	MP 1.0/2	BE400205	MP 1.0/3	BE400305
0.09	0.7					0.63 - 1	MP 1.0/2	BE400205	MP 1.0/3	BE400305
0.12	1.3	0.18	1	0.37	1.1	1 - 1.6	MP 1.6/2	BE400206	MP 1.6/3	BE400306
		0.25	1.4	0.55	1.5	1 - 1.6	MP 1.6/2	BE400206	MP 1.6/3	BE400306
0.37	2.9	0.55	2.7	1.1	2.6	1.6 - 2.5	MP 2.5/2	BE400207	MP 2.5/3	BE400307
0.25	2.4					1.6 - 2.5	MP 2.5/2	BE400207	MP 2.5/3	BE400307
0.37	2.9	0.55	2.7	1.1	2.6	2.5 - 4	MP 4.0/2	BE400208	MP 4.0/3	BE400308
		0.8	3.2	1.5	3.6	2.5 - 4	MP 4.0/2	BE400208	MP 4.0/3	BE400308
0.55	4.2	1.8	4.6	2.2	5	4 - 6.3	MP 6.3/2	BE400209	MP 6.3/3	BE400309
0.75	5.6					4 - 6.3	MP 6.3/2	BE400209	MP 6.3/3	BE400309
1.1	7.4	1.5	6.3	2.5 - 3	6.6	6.3 - 10	MP 10.0/2	BE400210	MP 10.0/3	BE400310
1.5	8.9	2.5	8.7			6.3 - 10	MP 10.0/2	BE400210	MP 10.0/3	BE400310
				4	8.5	6.3 - 10	MP 10.0/2	BE400210	MP 10.0/3	BE400310
2.2	14.5	3	11.5	5.5	11.3	10 - 16	MP 16.0/2	BE400211	MP 16.0/3	BE400311
				7.5	13.2	10 - 16	MP 16.0/2	BE400211	MP 16.0/3	BE400311
3	17.8	4	14.8			16 - 25	MP 25.0/2	BE400212	MP 25.0/3	BE400312
		5.5	19.6	11	21.7	16 - 25	MP 25.0/2	BE400212	MP 25.0/3	BE400312
		7.5	26.4	15	29.3	25 - 40	-	-	MP 40.0/3	BE400313
		11	38	18.5	36	25 - 40	-	-	MP 40.0/3	BE400313

Type	Article	Type	Article	Setting	max. back up fuse gL/gG <sup>1)</sup>		Typical operating currents of the short-circuit release
					3 x 230 V	3 x 400 V	
MP 0,16/2	BE400201	MP 0,16/3	BE400301	0,1 - 0,16A	at short-circuit currents up to the short-circuit breaking capacity fuse not required <sup>1)</sup>		1,3 - 1,7A
MP 0,25/2	BE400202	MP 0,25/3	BE400302	0,16 - 0,25A			2 - 2,6A
MP 0,40/2	BE400203	MP 0,40/3	BE400303	0,25 - 0,4A			3,1 - 4,8A
MP 0,63/2	BE400204	MP 0,63/3	BE400304	0,4 - 0,63A			4,9 - 6,8A
MP 1/2	BE400205	MP 1/3	BE400305	0,63 - 1A			10 - 13A
MP 1,6/2	BE400206	MP 1,6/3	BE400306	1 - 1,6A			16 - 21A
MP 2,5/2	BE400207	MP 2,5/3	BE400307	1,6 - 2,5A			25 - 33A
MP 4/2	BE400208	MP 4/3	BE400308	2,5 - 4A	40 - 52A		
MP 6,3/2	BE400209	MP 6,3/3	BE400309	4 - 6,3A	100A	100A	63 - 82A
MP 10/2	BE400210	MP 10/3	BE400310	6,3-10A	100A	100A	78 - 105A
MP 16/2	BE400211	MP 16/3	BE400311	10 - 16A	100A	100A	160 - 208A
MP 25/2	BE400212	MP 25/3	BE400312	16 - 25A	100A	100A	250 - 325A
MP 40/2	BE400213	MP 40/3	BE400313	25 - 40A	100A	100A	400 - 520A

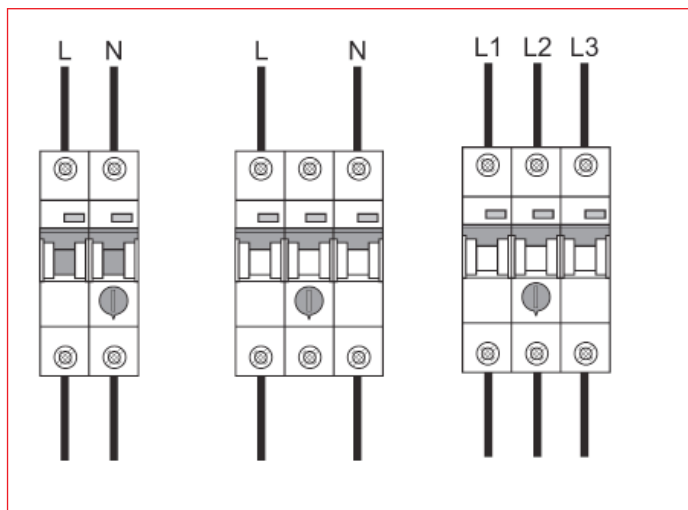
<sup>1)</sup> For short-circuit currents up to the rated breaking capacity no fuse is required (self-determined)

Modular Motor Protection Switches series MP (BE4)

Dimensions



Wiring diagram



## Modular Motor Protection Switches series MP (BE4), 2-pole

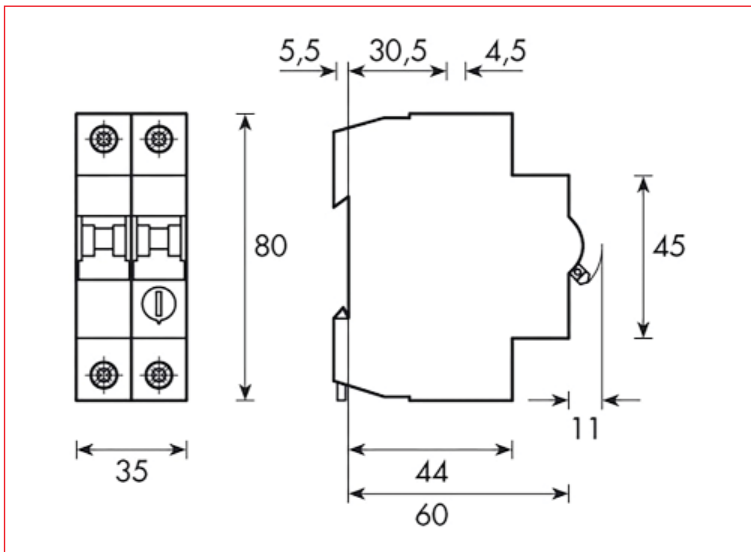


BE400211

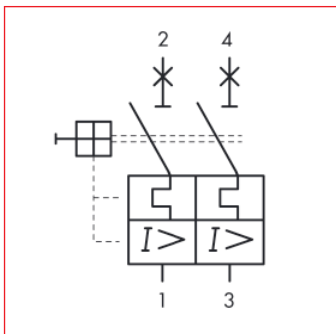
### Schrack-Info

- Auxiliary contact 1 NO / 1 NC BM900001
- Auxiliary contact 2 CO BM900022
- Busbar 16 mm<sup>2</sup>/2-pole BS900112
- End cap, 2-pole BS900118

### Dimensions



### BE4002..



DESCRIPTION	AVAILABLE	ORDER NO.
0,10 - 0,16 A		<b>BE400201</b>
0,16 - 0,25 A		<b>BE400202</b>
0,25 - 0,40A		<b>BE400203</b>
0,40 - 0,63A		<b>BE400204</b>
0,63 - 1,00A		<b>BE400205</b>
1,0 - 1,60 A		<b>BE400206</b>
1,6 - 2,50 A		<b>BE400207</b>
2,5 - 4,00A		<b>BE400208</b>
4,0 - 6,30A		<b>BE400209</b>
6,3 - 10,00A		<b>BE400210</b>
10,0 - 16,00A		<b>BE400211</b>
16,0 - 25,00A		<b>BE400212</b>
25,0 - 40,00A		<b>BE400213</b>

