

## DATA SHEET: RCCB PRIORI 40-80 A



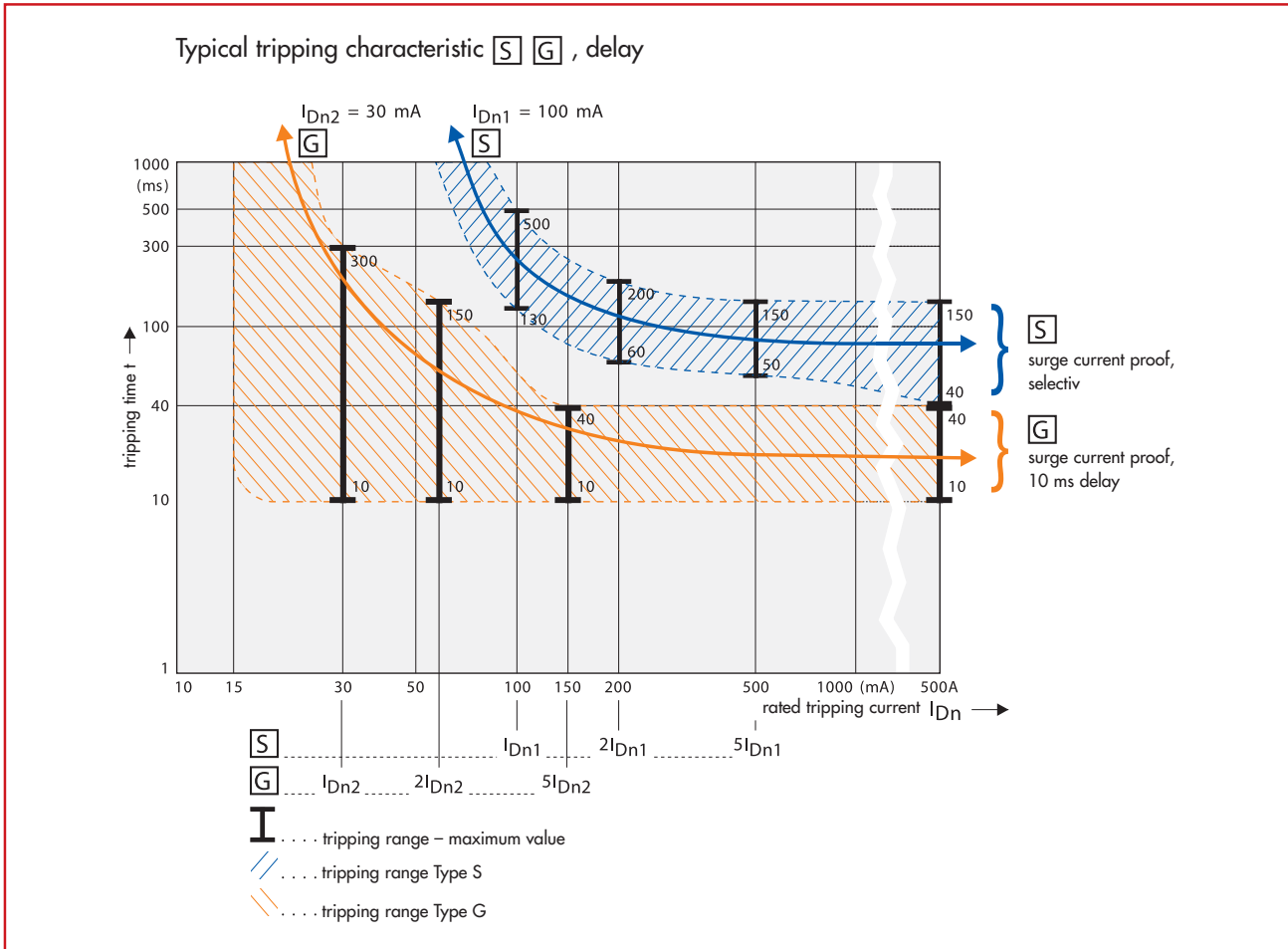
### SCHRACK-INFO

- Display of residual current via LED
- Relays for switch off warning
- Contact-indicator
- Switching-indicator (blue) at electrical
- Testing interval once a year

### TECHNICAL DATA

Rated voltage:	230/400 V AC, 50 Hz	
Standards:	IEC/EN 61 008, G in according ÖVE E 8601	
Sensitivity:	Pulse (Type A)	
Rated tripping currents $I_{\Delta n}$ :	30mA, 100mA, 300 mA	
Tripping types:	min. 10 ms delay (Type G), min. 40 ms delay (Type S) selectiv	
Max. back-up fuse:	overload:	short circuit:
$I_n = 40A$	40A gG/gL	63A gG/gL
$I_n = 63A$	63A gG/gL	63A gG/gL
$I_n = 80A$	80A gG/gL	80A gG/gL
Rated short-circuit strength $I_{nc}$ :	10 kA	
Rated surge current proof:	>3 kA (8/20 $\mu$ s) Type G, >5 kA (8/20 $\mu$ s) Type S	
Rated surge voltage resistance $U_{imp}$ :	4 kV (1.2/50 $\mu$ s)	
Rated voltage $U_n$ :	230/400 and 240/415 V AC, 50/60 Hz	
Rated voltage electronic:	50 – 254V AC	
Rated voltage test circuit:	184 – 440V AC	
Endurance:	electrical $\geq 4.000$ operating cycles, mechanical $\geq 20.000$ operating cycles	
Contact indicator:	red / green	
Electrical switch off indicator:	white / blue	
LED display:		
green:	normal, residual current $\leq 30\% I_{\Delta n}$	
yellow:	information, residual current $> 30\%$ und $\leq 50\% I_{\Delta n}$	
red:	warning of possible switch off, residual current $> 50\% I_{\Delta n}$	
Relay:	NO up to 250V AC, terminal capacity 0,25 - 1,5 mm <sup>2</sup>	
Rated temperature:	-25 °C up to +40 °C	
Rated climatic:	according to IEC/EN 61008	
Finger protection:	to VBG 4, ÖVE-EN 6	
Terminal capacity:	1-35 mm <sup>2</sup> single wire, 2x16 mm <sup>2</sup> multi wire	
Terminal screw:	Pozidriv PZ2	
Terminal torque:	2 - 2,4 Nm	

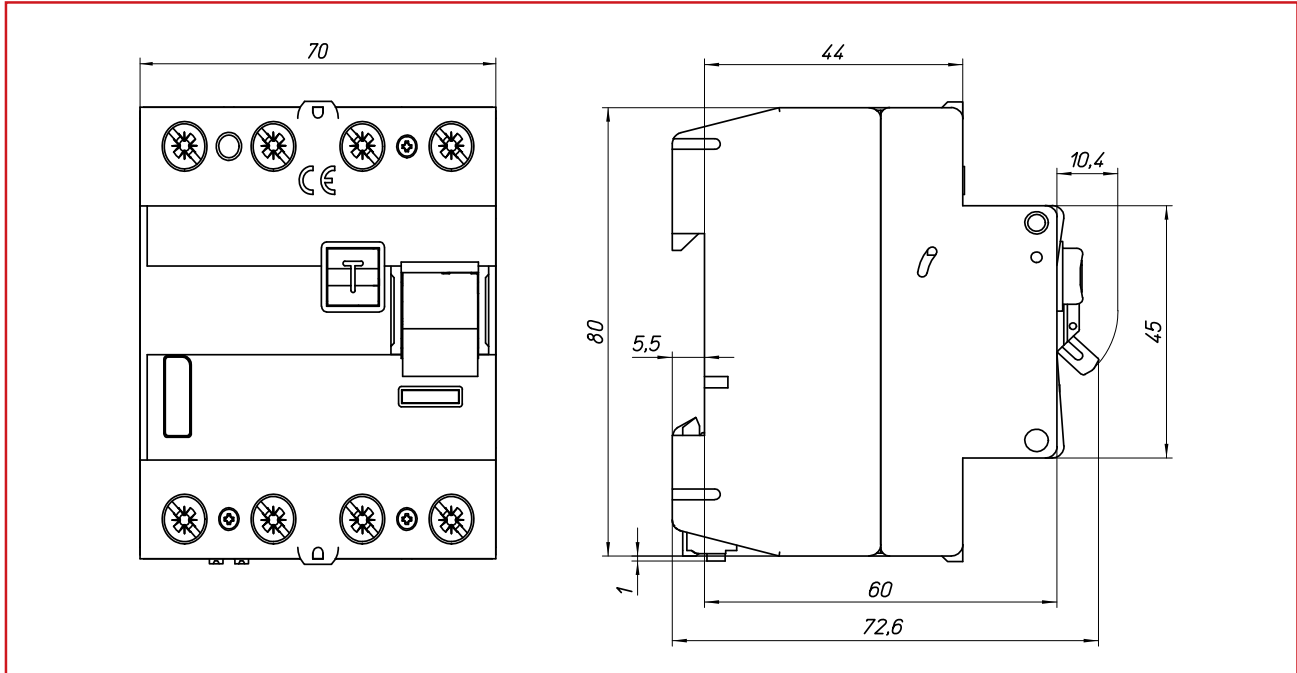
## TYP-DIAGRAM



## POWER LOSS

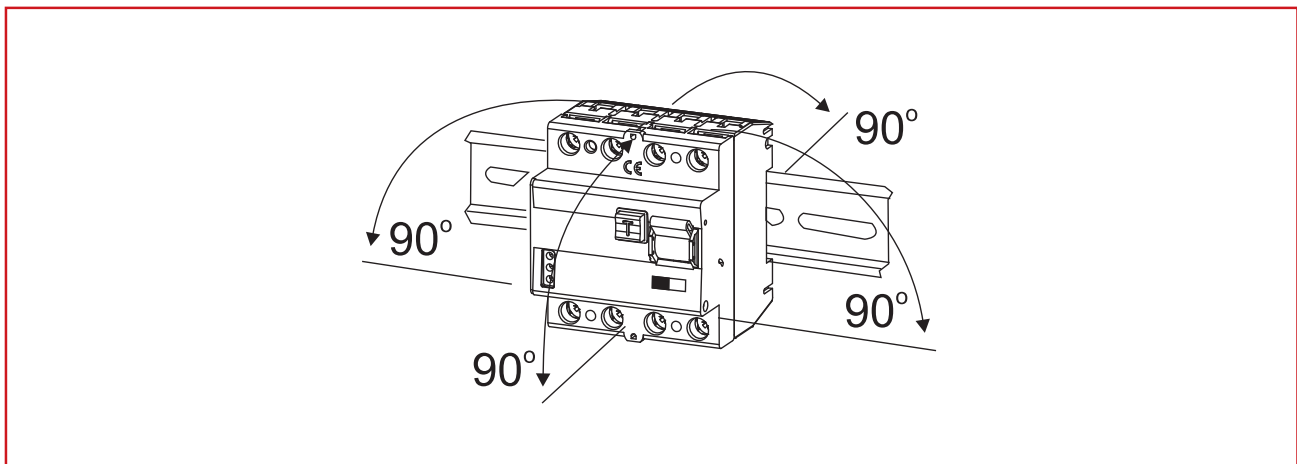
TYPE	ORDER NUMBER	$I_n$ (A)	$I_{\Delta n}$ (mA)	TYPE	P (W)
V-BCP0 40/4/003-G/A	BCP34403	40	30	A / G	3,8
V-BCP0 63/4/003-G/A	BCP36603	63	30	A / G	8,5
V-BCP0 80/4/003-G/A	BCP38803	80	30	A / G	12,9
V-BCP0 63/4/03-G/A	BCP36630	63	300	A / G	8,5
V-BCP0 80/4/03-G/A	BCP38830	80	300	A / G	12,9
V-BCP0 63/4/003-R	BCPR6603	63	30	A / R	8,5
V-BCP0 40/4/03-S/A	BCP64430	40	300	A / S	3,8
V-BCP0 63/4/03-S/A	BCP66630	63	300	A / S	8,5
V-BCP0 80/4/03-S/A	BCP68830	80	300	A / S	12,9
V-BCP0 U-40/4/003-G/A	BCP94403	40	30	A / G	3,8

## ■ DIMENSIONS

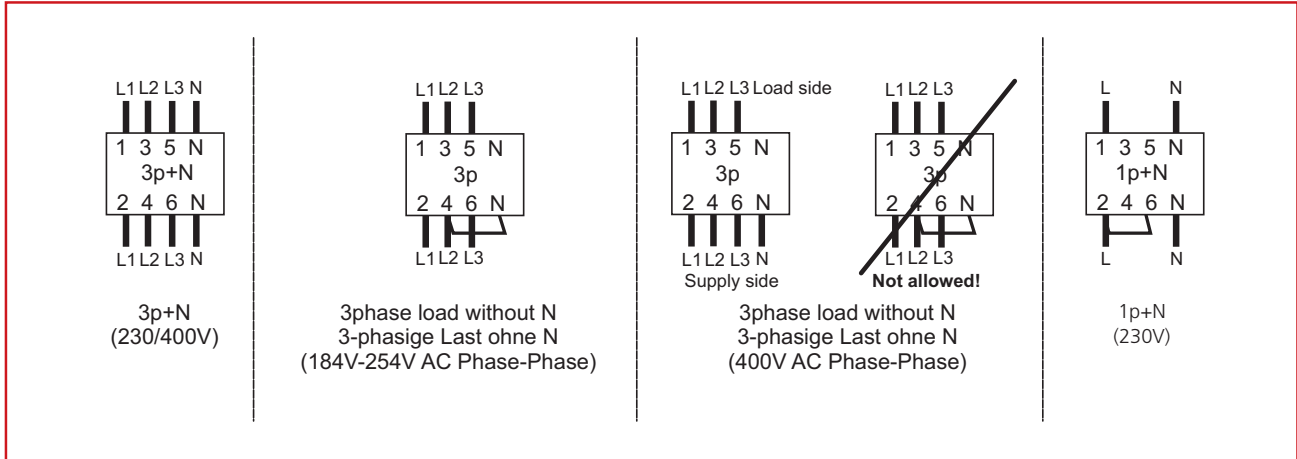


Dimension W x H x D:	70 mm x 80 mm x 63 mm
Weight:	0,32 kg
Protection Class:	IP40 (in the panel)
DIN rail mountable:	on symmetrical DIN rail

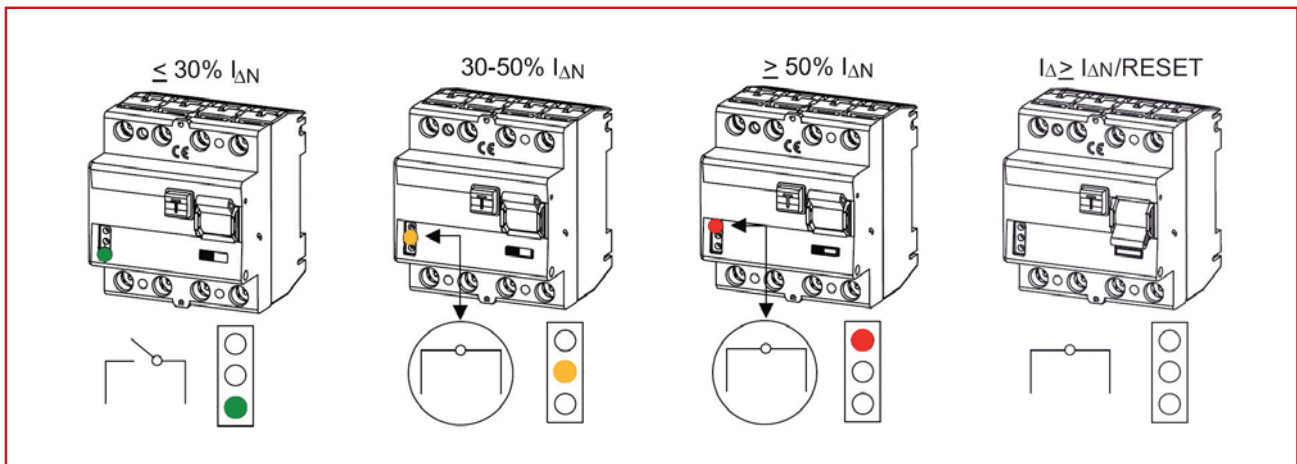
## ■ INSTALLATION POSITION



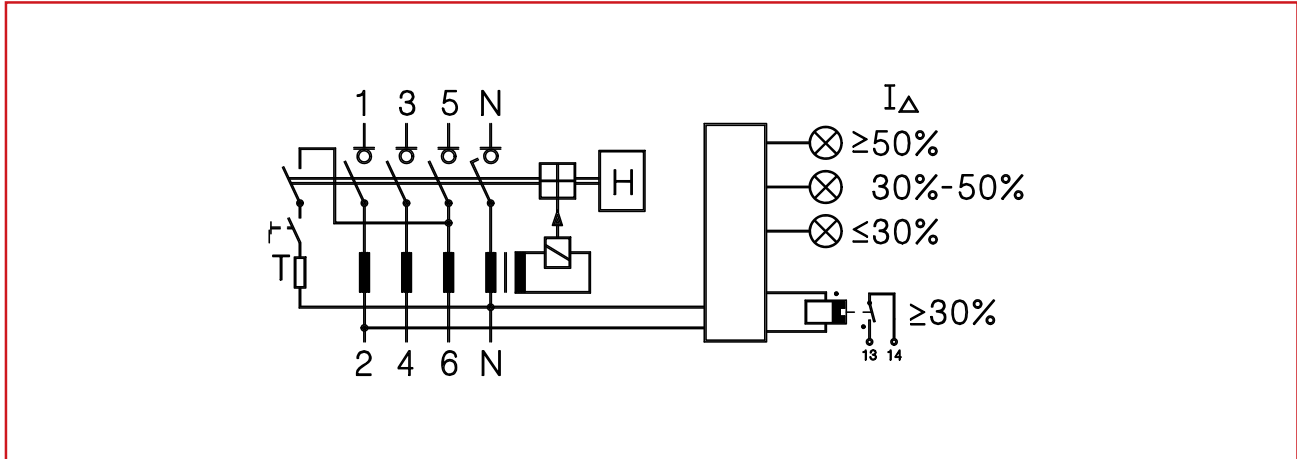
WIRING DIAGRAM



LED SIGNAL AND AUXILLARY SWITCH



## TEST CIRCUIT



## INSTRUCTION

Switchgear must be tested by PUSHING the TEST BUTTON 1x yearly. A test is further needed if red and yellow LED are on together. The switch must trip immediately. The testing is the responsibility of the user! The yearly test interval is only valid for residential and similar applications. Under all other conditions (e.g. damply or dusty environment), it is recommended to test in shorter intervals.

**■ SURGE CURRENT PROOF 3 kA (8/20  $\mu$ S), PULSE,  
10 ms DELAY, TYPE A AND G**

TYPE	RATED CURRENT / NUMBER OF POLES / RATED RESIDUAL CURRENT / TYPE	ORDER NUMBER
V-BCP0 40/4/003-G/A	40A / 4pole / 30mA / Type A	BCP34403
V-BCP0 63/4/003-G/A	63A / 4pole / 30mA / Type A	BCP36603
V-BCP0 80/4/003-G/A	80A / 4pole / 30mA / Type A	BCP38803
V-BCP0 63/4/03-G/A	63A / 4pole / 300mA / Type A	BCP36630
V-BCP0 80/4/03-G/A	80A / 4pole / 300mA / Type A	BCP38830

**■ SURGE CURRENT PROOF 3 kA (8/20  $\mu$ S), PULSE,  
TYPE R, X-RAY-PROOF**

TYPE	RATED CURRENT / NUMBER OF POLES / RATED RESIDUAL CURRENT / TYPE	ORDER NUMBER
V-BCP0 63/4/003-R	40A / 4pole / 30mA / Type R+	BCPR6603

**■ SURGE CURRENT PROOF 5 kA (8/20  $\mu$ S), PULSE,  
40 ms DELAY, TYPE A AND S**

TYPE	RATED CURRENT / NUMBER OF POLES / RATED RESIDUAL CURRENT / TYPE	ORDER NUMBER
V-BCP0 40/4/03-S/A	40A / 4pole / 300mA / Type A selectiv	BCP64430
V-BCP0 63/4/03-S/A	63A / 4pole / 300mA / Type A selectiv	BCP66630
V-BCP0 80/4/03-S/A	80A / 4pole / 300mA / Type A selectiv	BCP68830

**■ TYPE A: PULSE**

TYPE G: SURGE CURRENT PROOF 3 kA (8/20  $\mu$ S), 10 ms DELAY

TYPE S: SURGE CURRENT PROOF 5 kA (8/20  $\mu$ S), 40 ms DELAY

Suitable for speed-controlled drives with frequency converters in household, trade, and industry.

Unwanted tripping is avoided thanks to a tripping characteristic designed particularly for frequency converters.

TYPE	RATED CURRENT / NUMBER OF POLES / RATED RESIDUAL CURRENT / TYPE	ORDER NUMBER
V-BCP0 U-40/4/003-G/A	40A / 4pole / 30mA / Type A / Type G	BCP94403
V-BCP0 U-63/4/003-G/A	63A / 4pole / 30mA / Type A / Type G	BCP96603
V-BCP0 U-40/4/03-S/A	40A / 4pole / 300mA / Type A / Type S	BCP94430
V-BCP0 U-63/4/03-S/A	63A / 4pole / 300mA / Type A / Type S	BCP96630
V-BCP0 U-80/4/03-S/A	80A / 4pole / 300mA / Type A / Type S	BCP98830