

RCCB Residual Current Circuit Breaker series BCF0, 10kA, type A



BC054103

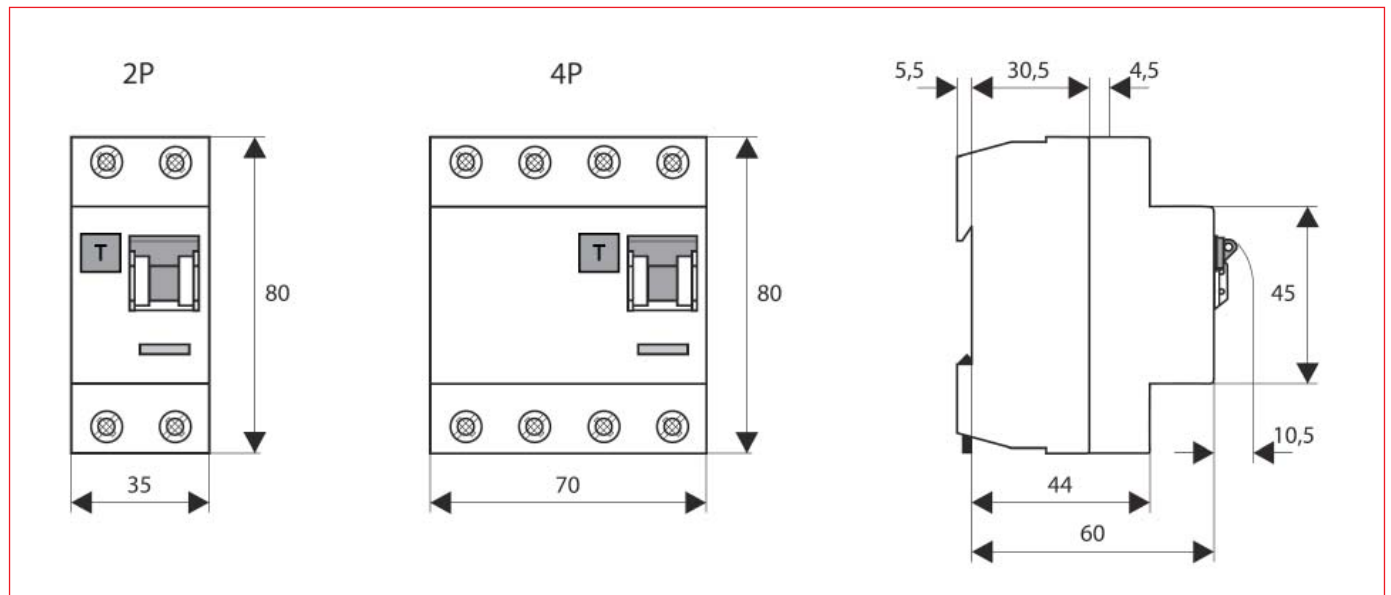
Schrack-Info

- Sensitivity: pulse current sensitive (type A)
- Short-circuit strength 10kA
- Tripping independent of line voltage
- Contact position color indicator (red/green)
- Most common accessories: auxiliary contact 1 NO / 1 NC BD900002

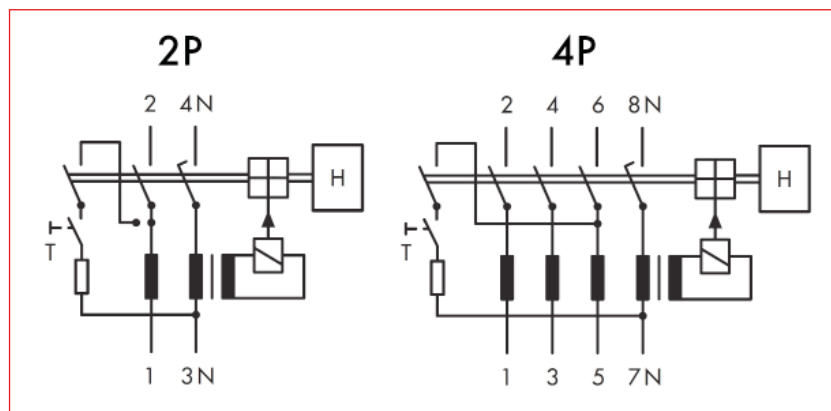
Standards:	EN 61008	
Pole	2-pole, 4-pole	
Rated voltage U_s :	230V/240V	
2-pole	230/400 and 240/415V-AC	
4-pole	230/400 and 240/415V-AC	
Rated frequency:	50/60Hz	
Rated current I_n :	16A, 25A, 40A, 63A, 80A, 100A	
Tripping-type:	A (pulse current sensitive)	
Rated current $I_{\Delta n}$:	10mA, 30mA, 100mA, 300mA	
Delay-type:	undelayed	
Surge current proof:	>250A (8/20 μ s)	
Tripping:	line voltage-independent	
Rated insulation voltage U_i :	440V	
Rated impulse withstand voltage U_{imp} :	4kV (1.2/50 μ s)	
Rated breaking capacity I_m and rated residual making $I_{\Delta m}$:		
$I_n = 16A$	500A	
$I_n = 25A$	500A	
$I_n = 40A$	500A	
$I_n = 63A$	630A	
$I_n = 80A$	800A	
$I_n = 100A$	1000A	
Rated short-circuit capacity I_{cn} :	10kA according EN 61008	
Max. back up fuse:	overload (OPCD):	short circuit (SCPD):
$I_n = 16A$	10A gG/gL	63A gG/gL
$I_n = 25A$	25A gG/gL	63A gG/gL
$I_n = 40A$	25A gG/gL	63A gG/gL
$I_n = 63A$	40A gG/gL	63A gG/gL
$I_n = 80A$	50A gG/gL	80A gG/gL
$I_n = 100A$	63A gG/gL	100A gG/gL
back up fuse proof $I_n = 40A$ vsf.	40A gG/gL	80A gG/gL
back up fuse proof $I_n = 63A$ vsf.	63A gG/gL	80A gG/gL
Operating voltage test-circuit:	195,5 - 440V-AC	
Endurance:	> 4.000 operating cycles (mechanical > 20.000)	
Lamp strength:	max. 20 electronic ballasts per phase, max. 60 per RCCB (typical, commercially available)	
30mA	max. 90 electronic ballasts per phase (typical, commercially available)	
100mA, 300mA		
Contact position indicator:	red / green	
Rated tripping temperature:	-25°C up to +40°C	
Max. ambient temperature:		
16A - 25A	-35°C up to +55°C	
40A - 100A	-35°C up to +60°C	
Climatic proofing:	according to IEC/EN 61008	
Finger and hand touch safe:	according to BGV A3	
Degree of protection:	IP 20 (covered IP40)	
Operating position:	in any position	
Terminals:	Double clamp / lift terminal	
Terminal cross-section:	1-35 mm ² solid, 2x16 mm ² stranded	
Terminal screws:	Pozidriv PZ2	
Terminal tightening torque:	2 - 2,4 Nm	
Mounting:	on DIN rail by latching snap-on mounting	
Test interval:	Operate test button of RCCB 1 x every 6 months. The system operator is responsible for this test! Under non-household-type conditions (e.g. humid or dusty environment), it is recommended to carry out the test in monthly intervals. Pressing the test button "T" only tests the function of the residual current (RC) circuit breaker. This test does not replace the earthing resistance measurement (RE) nor the proper protective conductor test that must be performed separately.	

RCCB Residual Current Circuit Breaker series BCF0, 10kA, type A

Dimensions



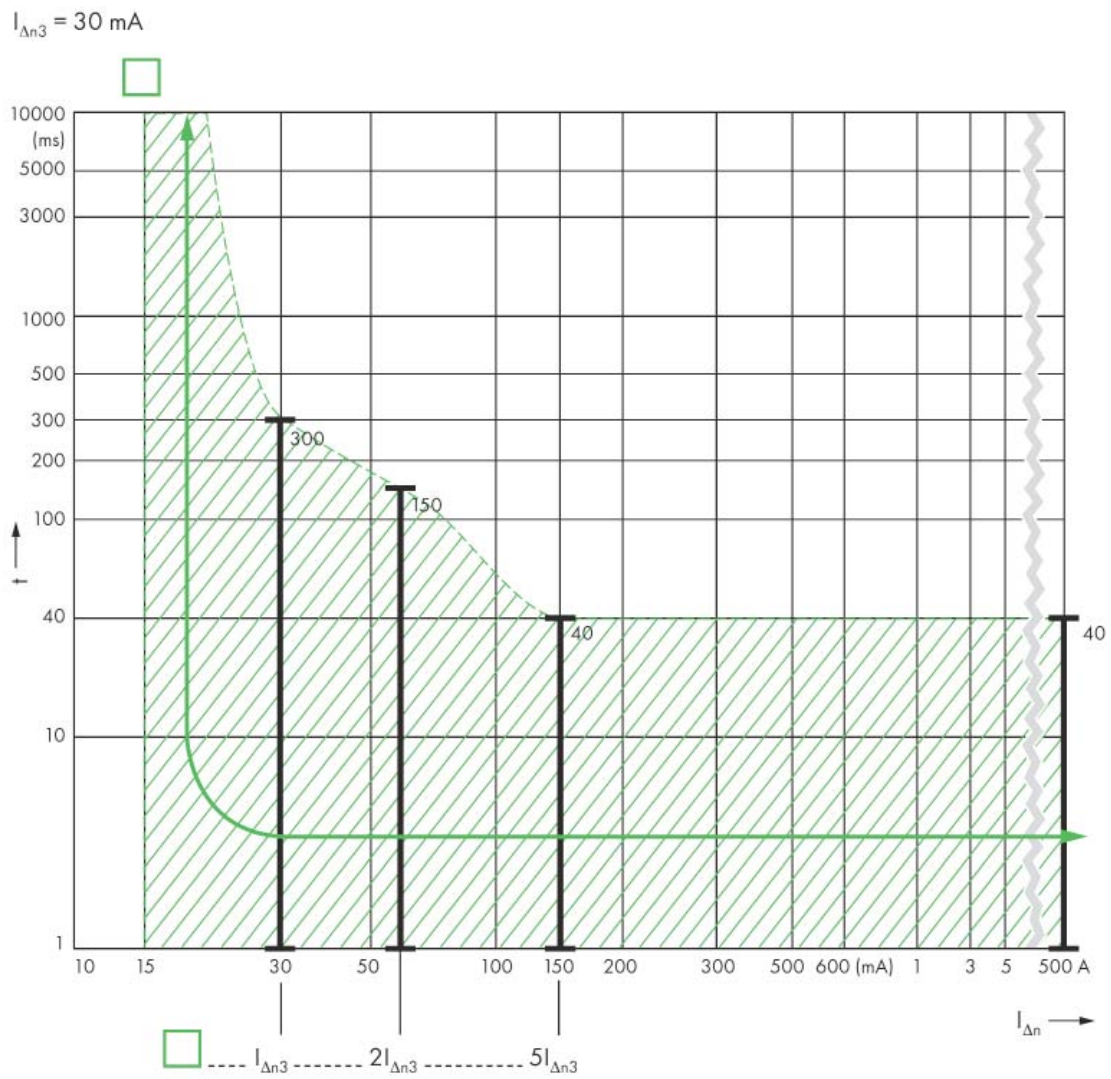
Wiring diagram



Ambient temperature	Type											
	16A 2-pole	16A 4-pole	25A 2-pole	25A 4-pole	40A 2-pole	40A 4-pole	63A 2-pole	63A 4-pole	80A 2-pole	80A 4-pole	100A 2-pole	100A 4-pole
40°	16	16	25	25	40	40	63	63	80	80	100	100
45°	14	14	22	22	37	37	59	59	76	76	95	95
50°	11	1	19	19	33	34	55	55	72	72	90	90
55°	9	9	16	16	30	31	50	50	68	68	85	85
60°	-	-	-	-	26	27	45	45	64	64	80	80

RCCB Residual Current Circuit Breaker series BCF0, 10kA, type A

Tripping characteristic undelayed



RCCB Residual Current Circuit Breaker series BCF0, 10kA, type A

Conductor cross section [mm ²]	Number of single conductors, rigid, single-wire Cu conductors					
	1	2	3	4	5	6
1,5	+	+	+	+	+	-
2,5	+	+	+	+	-	-
4	+	+	+	+	-	-
6	+	+	+	+	-	-
10	+	+	+	-	-	-
16	+	+	-	-	-	-
25	+	-	-	-	-	-
35	+	-	-	-	-	-

Conductor cross section [mm ²]	Number of single conductors, rigid, multi-wire Cu conductors					
	1	2	3	4	5	6
10	+	+	+	-	-	-
16	+	+	-	-	-	-
25	+	-	-	-	-	-
35	+	-	-	-	-	-

Conductor cross section [mm ²]	Number of single conductors, flexible Cu conductors without sleeves					
	1	2	3	4	5	6
1,5	-	-	-	-	+	-
2,5	-	-	+	+	-	-
4	-	+	+	+	-	-
6	-	+	+	+	-	-
10	-	+	-	-	-	-
16	-	+	-	-	-	-
25	-	-	-	-	-	-
35	-	-	-	-	-	-

Conductor cross section [mm ²]	Number of single conductors, flexible Cu conductors with sleeves					
	1	2	3	4	5	6
1,5	+	-	-	-	-	-
2,5	+	-	-	-	-	-
4	+	-	-	-	-	-
6	+	-	-	-	-	-
10	+	-	-	-	-	-
16	+	-	-	-	-	-
25	+	-	-	-	-	-
35	+	-	-	-	-	-

Conductor cross section [mm ²]	Number of single conductors, flexible Cu conductors with different cross-sections, without sleeves								
	1	2	3	4	5	6	7	8	9
1,5	+	-	-	-	-	-	-	-	-
2,5	+	+	-	-	-	+	-	-	-
4	-	+	+	-	-	-	+	-	-
6	-	-	+	+	-	+	-	+	-
10	-	-	-	+	+	-	+	-	+
16	-	-	-	-	+	-	-	+	-
25	-	-	-	-	-	-	-	-	+
35	-	-	-	-	-	-	-	-	-

RCCB Residual Current Circuit Breaker series BCF0, 10kA, type A, 10mA



BC059201

DESCRIPTION	AVAILABLE	ORDER NO.
2-pole		
16A / 2 / 0,01A		BC059201

RCCB Residual Current Circuit Breaker series BCF0, 10kA, type A, 30mA



BC054103

DESCRIPTION	AVAILABLE	ORDER NO.
2-pole		
25A / 2 / 0,03A		BC052203
40A / 2 / 0,03A		BC054203
4-pole		
25A / 4 / 0,03A		BC052103
40A / 4 / 0,03A		BC054103
40A / 4 / 0,03A back-up fuse proof		BC054403
63A / 4 / 0,03A		BC056103
63A / 4 / 0,03A back-up fuse proof		BC056603
80A / 4 / 0,03A		BC058103
100A / 4 / 0,03A		BC050103



Order no. blue: on stock, usually ready for delivery on the day of order

RCCB Residual Current Circuit Breaker series BCF0, 10kA, type A, 100mA



BC054110

DESCRIPTION	AVAILABLE	ORDER NO.
4-pole		
40A / 4 / 0,1A		BC054110
63A / 4 / 0,1A		BC056110
100A / 4 / 0,1A		BC050110

RCCB Residual Current Circuit Breaker series BCF0, 10kA, type A, 300mA



BC054130

DESCRIPTION	AVAILABLE	ORDER NO.
2-pole		
40A / 2 / 0,3A		BC054230
4-pole		
40A / 4 / 0,3A		BC054130
63A / 4 / 0,3A		BC056130
80A / 4 / 0,3A		BC058130
100A / 4 / 0,3A		BC050130