

KX-NS300 Capacity

voiceip.com.my

Maximum Trunks

	Preinstalled	KX-NS300	With 1 KX-NS320	With 2 KX-NS320	With 3 KX-NS320
Total Number of Trunks (Legacy+IP)	6 ch	52 ch	82 ch	112 ch	142 ch
Legacy	6 ch	36 ch	66 ch	96 ch	126 ch
PRI30	N/A	30 ch	60 ch	90 ch	120 ch
E1	N/A	30 ch	60 ch	90 ch	120 ch
Analogue	6 lines	12 lines	24 lines	36 lines	48 lines
IP	N/A	16 ch	16 ch	16 ch	16 ch
H.323	N/A	16 ch	16 ch	16 ch	16 ch
SIP	N/A	16 ch	16 ch	16 ch	16 ch

KX-NS300 Capacity

Maximum Terminal Equipment

Type	Preinstalled	KX-NS300	With 1 KX-NS320	With 2 KX-NS320	With 3 KX-NS320
Extensions (Legacy+IP) (DXDP*1)	18	66 (72)	98 (112)	130 (152)	162 (192)
Legacy (DXDP*1)	18	34 (40)	66 (80)	98 (120)	130 (160)
SLT	16	32	64	96	128
DPT (DXDP*1)	2 (4)	18 (24)	34 (48)	50 (72)	66 (96)
APT	N/A	8	16	24	32
IP	N/A	32			
IP-PT*2	N/A	32			
SIP*3	N/A	32			
CS	N/A	20	24	28	32
PT-interface CS (2ch) / (8ch)	2 / N/A	4 / 2	8 / 4	12 / 6	16 / 8
IP-CS/SIP-CS	N/A	16			
PS	128				
VM					
Built-in DISA (ch)	2	30			
Built-in SVM (ch)		2			
Built-in UM (ch)	N/A	24			
Doorphone	N/A	2	4	6	8
Door Opener	N/A	2	4	6	8
External Sensor	N/A	2	4	6	8

*1 When Digital XDP is used. *2 KX-NT500/300 Series, KX-NT265 (software version 2.0 or later only). *3 KX-UT Series, KX-NT700 and third party SIP phones (SIP hard phones/SIP softphones).

KX-NS300 Capacity

voiceip.com.my

Communication Assistant

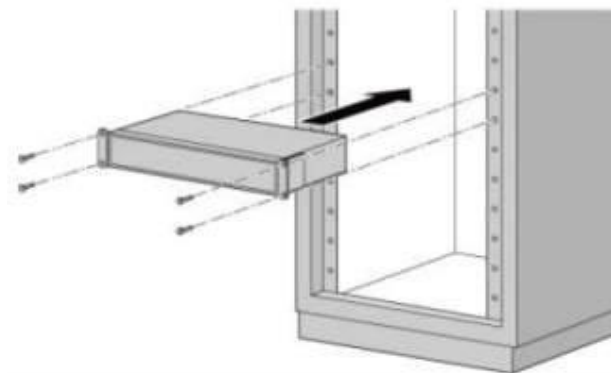
		CA Basic-Express	CA PRO	CA Operator Console	CA Supervisor
Maximum Users	Without CA Server	240	240	128	4
	With CA Server	320 ¹	320 ¹	128	128
Activation Key		Preinstalled for all users	60-days free trial for 128 users	60-days free trial for 1 user	60-days free trial for 1 user
Automatic Presence		N/A	Yes		
Call Contact		10	1000		
Call History		10	1000		
Chat		Yes	Yes		
Conference Features		N/A	Yes		
Flexible Call Handling/ Monitor & Seize CO line		N/A	N/A	Yes	N/A
Listen-in/ Busy Override/Take Over		N/A	N/A	Yes	Yes
Multi Site Communication (Networking)		N/A	Yes		
CRM Integration by TAPI		N/A	Yes		
Thin Client Support		Yes	Yes		

*1 Can be used by all extension users. Including IP/DPT(DXDP)/PS.

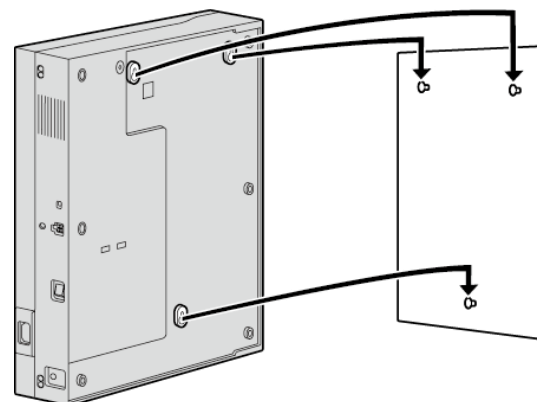
Hardware Condition

Item	Specification
Temperature	0 °C to 40 °C
Humidity	10 % to 90 % (non-condensing)
Power Input	100 V AC to 130 V AC: 2.2 A/200 V AC to 240 V AC: 1.3 A; 50 Hz/60 Hz
Power Consumption (when fully mounted)	110 W
External Backup Battery	External battery port is supported.
Memory Backup Duration	7 years
Air-cooling method	FAN
Dimension	430 mm (W) x 88 mm (H) x 367 mm (D)
Weight (when fully mounted)	Under 4.5 kg

19-inch Rack Mounting*



Wall Mounting

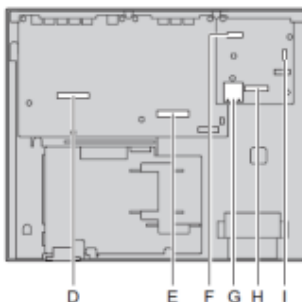
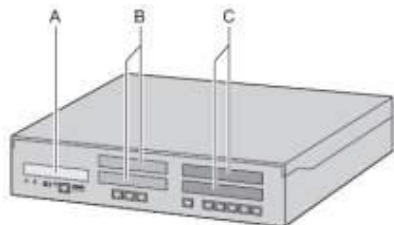


* KX-A437 is necessary .

Product Lineup - Hardware

voiceip.com.my

Main Unit KX-NS300



- A. Front cover plate for the EXP-M Slot
- B. Front cover plates for Trunk/Doorphone Card Slots
- C. Front cover plates for the Extension Card Slots
- D. Extension Card Slot
- E. Trunk/Doorphone Card Slot
- F. EXP-M Card Slot
- G. SD Card Slot
- H. DSP Card Slot
- I. RMT Card Slot

Option Unit in Main Unit

Component		Model	Description	Installed in
DSP	DSP S (63 resources)	KX-NS5110	VoIP DSP Card (S Type)	DSP Card Slot
Storage Memory For VM, ACD Report, SMDR expansion	XS (40 hours)	KX-NS3134	Storage Memory (XS Type)	Storage Memory Card Slot
	S (200 hours)	KX-NS3135	Storage Memory (S Type)	
	M (400 hours)	KX-NS3136	Storage Memory (M Type)	
Trunk	LCOT6	KX-NS5180	6-Port Analogue Trunk Card	Trunk Slot
	PRI30/E1	KX-NS5290CE	PRI30 / E1 Trunk Card	
	DPH2	KX-NS5162	Doorphone Interface Card	
Extension	DHLC4	KX-NS5170	4-Port Digital Hybrid Extension Card	Extension Slot
	DLC8	KX-NS5171	8-Port Digital Hybrid Extension Card	
	DLC16	KX-NS5172	16-Port Digital Hybrid Extension Card	
	MCSLC8	KX-NS5173	8-Port SLT Card	
	MCSLC16	KX-NS5174	16-Port SLT Card	
Expansion Master Card	EXP-M	KX-NS5130	3-ports Expansion Master Card	EXP-M Slot
Remote Modem	RMT	KX-TDA0196	Remote Modem Card	RMT Slot

Product Lineup - Preinstalled Activation Keys

To use IP/SIP trunks and IP/SIP telephones and/or enabling the software for enhanced features, you need the appropriate activation keys. Customers can create their own optimized communication system by selecting various activation keys.

The following activation keys are preinstalled*1

Activation Key		Feature	Expire
IP Phone	IP Proprietary Telephone (ch)	4 IP-PTs/KX-UT series SIP phones	Permanent
Unified Messaging	UM Port (ch)	2 Unified Messaging ports	Permanent
	UME-mail Client	128 users (128 mailboxes)	Expire after 60 days
	Two-Way Recording Control	Automatic Two-way Recording Feature	Expire after 60 days
	Two-Way Recording	30 Two-way Recording/Two-way Transfer users	Expire after 60 days
	Message Backup	Automatic backup of messages	Expire after 60 days
Mobile Extension		30 users	Expire after 60 days
Call Centre Enhancement		Built-in ACD Report*2, Announcement of waiting number for queuing	Expire after 60 days
Communication Assistant	CA Basic-Express	ALL users	Permanent
	CA PRO	128 users	Expire after 60 days
	CA Supervisor	1 user	Expire after 60 days
	CA Operator Console	1 user	Expire after 60 days
	CA Thin Client Server	Using CA in a thin-client environment	Expire after 60 days
	CSTA Multiplexer	Multiplexing for CSTA connections	Expire after 60 days
	CTI interface	3 rd Party CTI interface	Expire after 60 days

*1 DSP and AK are required for some functions.

*2 An SD card is necessary to use ACD Reports.

Optional Activation Keys



Expand capacity
Network functions
Mobile extensions
Unified messaging
CA/CTI functions etc.



Preinstalled activation keys for basic functions



Product Lineup - Activation Keys

voiceip.com.my

System Function

Activation Key Type	Model No.	Description	Maximum
Call Centre	KX-NSF201	Built-in ACD Report, Announcement of waiting number for queuing	1 activation key
VoIP/Unified Message (UM)	KX-NSF990	VoIP/UM feature * This activation key is required to use the IP function and UM function.	

IP Trunks

Activation Key Type	Model No.	Description	Maximum
IP Trunks (H.323/SIP)	2 IP Trunk	KX-NSM102	2-Channel IP Trunk Activation Key
	4 IP Trunk	KX-NSM104	4-Channel IP Trunk Activation Key
	8 IP Trunk	KX-NSM108	8-Channel IP Trunk Activation Key
	16 IP Trunk	KX-NSM116	16-Channel IP Trunk Activation Key
			SIP: 16 ch H.323: 16 ch

Networking

Activation Key Type	Model No.	Description	Maximum
QSIG Network	KX-NSN002	Activation Key for QSIG Networking	1 activation key

Product Lineup - Activation Keys

IP Telephone - User

*IP PTs: KX-NT500/300Series IP Proprietary phones

*IP Softphones: KX-NCS8100 IP, KX-TDA0350

*SIP Phones: KX-NT700 IP Conferencing phone and Third party SIP phones (SIP hardphones/SIP softphones).

Activation Key Type		Model No.	Description	Maximum
*IP PTs/ KX-UT Series SIP Phones/ *IP Softphones/	1 ch	KX-NSM201	1-Channel IP Softphone / IP Proprietary Telephone Activation Key	32 ch
	5 ch	KX-NSM205	5-Channel IP Softphone / IP Proprietary Telephone Activation Key	
	10 ch	KX-NSM210	10-Channel IP Softphone / IP Proprietary Telephone Activation Key	
	20 ch	KX-NSM220	20-Channel IP Softphone / IP Proprietary Telephone Activation Key	
*IP PTs/ KX-UT Series SIP Phones	Up to 4 ch	-	Preinstalled	
	1 ch	KX-NSM501	1-Channel IP Proprietary Telephone Activation Key	
	5 ch	KX-NSM505	5-Channel IP Proprietary Telephone Activation Key	
	10 ch	KX-NSM510	10-Channel IP Proprietary Telephone Activation Key	
	20 ch	KX-NSM520	20-Channel IP Proprietary Telephone Activation Key	
*SIP Phones	1 ch	KX-NSM701	1-Channel SIP Extension Activation Key	
	5 ch	KX-NSM705	5-Channel SIP Extension Activation Key	
	10 ch	KX-NSM710	10-Channel SIP Extension Activation Key	
	20 ch	KX-NSM720	20-Channel SIP Extension Activation Key	

Product Lineup - Activation Keys

voiceip.com.my

Cellular Phone Extension - User

Activation Key Type		Model No.	Description	Maximum
Mobile Extension	1 user	KX-NSE101	Activation Key for Mobile Extension for 1 User	128 cellular phone extensions
	5 users	KX-NSE105	Activation Key for Mobile Extension for 5 Users	
	10 users	KX-NSE110	Activation Key for Mobile Extension for 10 Users	
	20 users	KX-NSE120	Activation Key for Mobile Extension for 20 Users	

Unified Messaging System - Feature

Activation Key Type		Model No.	Description	Maximum
Two-way REC Control for Manager		KX-NSU002	Activation Key for Two-way Recording Control	1 activation key
Message Backup		KX-NSU003	Activation Key for Message Backup	1 activation key
Unified Messaging Channel	2 ch	-	Preinstalled on the Mother Board	24 ch
	2 ch	KX-NSU102	2 Channel Unified Messaging Activation Key	
	4 ch	KX-NSU104	4 Channel Unified Messaging Activation Key	

Product Lineup - Activation Keys

voiceip.com.my

Unified Messaging System - User (Mailbox)

Activation Key Type		Model No.	Description	Maximum
E-mail (IMAP4) Client/ E-mail Notification	1 user	KX-NSU201	Activation Key for Unified messaging E-Mail Notification for 1 User	500 mailboxes
	5 users	KX-NSU205	Activation Key for Unified messaging E-Mail Notification for 5 Users	
	10 users	KX-NSU210	Activation Key for Unified messaging E-Mail Notification for 10 Users	
	20 users	KX-NSU220	Activation Key for Unified messaging E-Mail Notification for 20 Users	
	All users	KX-NSU299	Activation Key for Unified messaging E-Mail Notification for All Users	
Two-way Recording/ Two-way Transfer	1 user	KX-NSU301	Activation Key for Two-way Recording for 1 User	320 users
	5 users	KX-NSU305	Activation Key for Two-way Recording for 5 Users	
	10 users	KX-NSU310	Activation Key for Two-way Recording for 10 Users	
	20 users	KX-NSU320	Activation Key for Two-way Recording for 20 Users	
	All users	KX-NSU399	Activation Key for Two-way Recording for All Users	

Product Lineup - Activation Keys

Communication Assistant - User

Activation Key Type		Model No.	Description	Maximum
CA Basic-Express	All users	-	Preinstalled	Without CA Server: 240 users With CA Server: 320 users
CA PRO	1 user	KX-NSA201	Activation Key for CA PRO for 1 User	
	5 users	KX-NSA205	Activation Key for CA PRO for 5 Users	
	10 users	KX-NSA210	Activation Key for CA PRO for 10 Users	
	40 users	KX-NSA240	Activation Key for CA PRO for 40 Users	
	128 users	KX-NSA249	Activation Key for CA PRO for 128 Users	
CA Supervisor	1 user	KX-NSA301	Activation Key for CA ACD Monitor for 1 ICD Supervisor	Without CA Server: 4 users With CA Server: 128 users
CA Operator Console	1 user	KX-NSA401	Activation Key for CA Operator Console	Without CA Server: 128 users With CA Server: 128 users
CA Network Plug-in	1 user	KX-NSA901	Activation Key for CA Network Plug-in for 1 User	Without CA Server: 240 users With CA Server: 1022 users
	5 users	KX-NSA905	Activation Key for CA Network Plug-in for 5 Users	
	10 users	KX-NSA910	Activation Key for CA Network Plug-in for 10 Users	
	40 users	KX-NSA940	Activation Key for CA Network Plug-in for 40 Users	
	128 users	KX-NSA949	Activation Key for CA Network Plug-in for 128 Users	

Communication Assistant - External Interface

Activation Key Type	Model No.	Description	Maximum
CA Thin Client	KX-NSA010	Activation Key for CA Thin Client Server Connection	1
CSTA Multiplexer	KX-NSA020	Activation Key for Multiple CSTA Connection	
3 rd Party CTI link	KX-NSF101	Activation Key for CTI interface	