

Note: Applicable to product model XP-GT3500L, XP-GT3500ABL, XP-GTR1500L, XP_GTR1500LABX

Software application version support:

- xPortal3000 v3.0.0.25 or later
- xPortalNet v1.5.0.133 or later

1. Connect the Controller to Relay Board and Power supply (MPS-320). Please refer to the wiring diagram for XP-GT3500 and XP-GTR1500 (Appendix 1)

2. Power on the devices

- a. Controller will beep once. Keypad button will be lights on.
- b. LCD shows initializing Database and display as follows:



- c. After 1 sec, the LCD will change to idle screen.



Note: For the first time of new installation, please perform a ColdStart.

ColdStart is a process that will erase all the memory and reset all the setting to default.

3. To perform ColdStart,

- a. Press and hold the “ColdStart” button on the board.
- b. Power on the device. Hold the ColdStart button until a long beep from the device.
- c. The controller memory will be cleared and initializing the database. This will take about 10 seconds.

4. To connect and link the controller to MicroEngine software, choose either ONE LAN or RS485 connection

- a. For **LAN connection**, there are **3** methods to setup the network setting of the controller.
Note: *Make sure the LAN cable is plugging into the network connector on the controller board and the other end of LAN cable is connected to the network router or switches.*

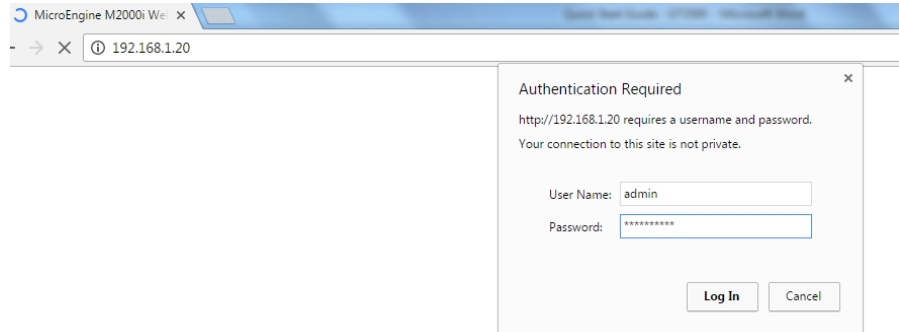
i. Device Lookup in xPortal3000.

Please visit to <http://www.microengine.net/kb/article/AA-00512>

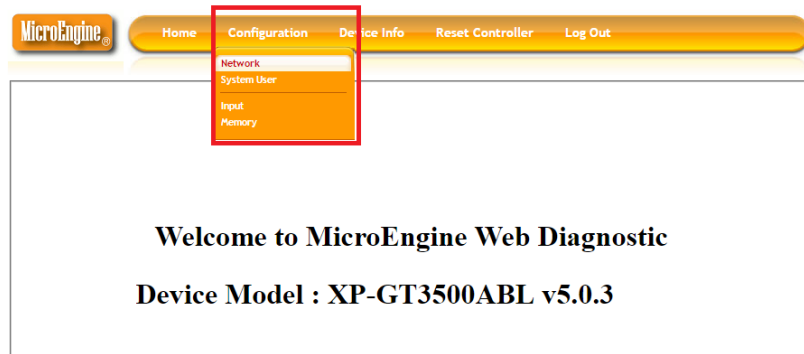


ii. Login to Controller **Web Diagnostic**

1. Open Internet Explorer browser > Type <http://192.168.1.20> (Default IP address) in the address box
2. Enter the Username and password
 - a. *Default Username is **admin***
 - b. *Default Password is **password10***



3. After login successful, go to Configuration tab> Network menu>update the necessary changes:



4. Set the IP address, Subnet mask, Gateway and Server IP.

Network Setting	
Device Name:	GT3500
Address:	0
Baud Rate:	<input checked="" type="radio"/> 2400 <input type="radio"/> 9600
MAC Address:	00 : 1E : C0 : D2 : DB : 39 <input type="checkbox"/> Use Default
Default MAC Address:	00:1E:C0:D2:DB:39
IP Address:	192 : 168 : 1 : 20 <input type="checkbox"/> Use Default
Default IP Address:	192.168.1.20
Subnet Mask:	255 : 255 : 255 : 0
Gateway:	192 : 168 : 1 : 1
Primary DNS:	169 : 254 : 1 : 1
Secondary DNS:	0 : 0 : 0 : 0
Server IP Address	192 : 168 : 1 : 22
Server Port	6268
Controller Port	6268
Enhanced Network Encryption (AES 128)	<input type="radio"/> Off <input checked="" type="radio"/> On
<input type="button" value="Save Setting"/>	

5. Click **Save**.

iii. **On-board keypad** programming – Network setting menu.

Note: For the **first time enter programming menu** via on-board keyboard, user is require to enter 6 digit new Master PIN. Default Master PIN is 123456.

Please visit to <http://www.microengine.net/kb/article/AA-00267/0> and refer to Controller Network Configuration.

- b. For **RS485 connection**, please visit to <http://www.microengine.net/kb/article/AA-00269/0/>

5. If the controller is connected and shows communication up in the software xPortal3000/xPortalNet, you can add staff record/user database, configure the door parameter in software. The controller setting will be updated immediately.

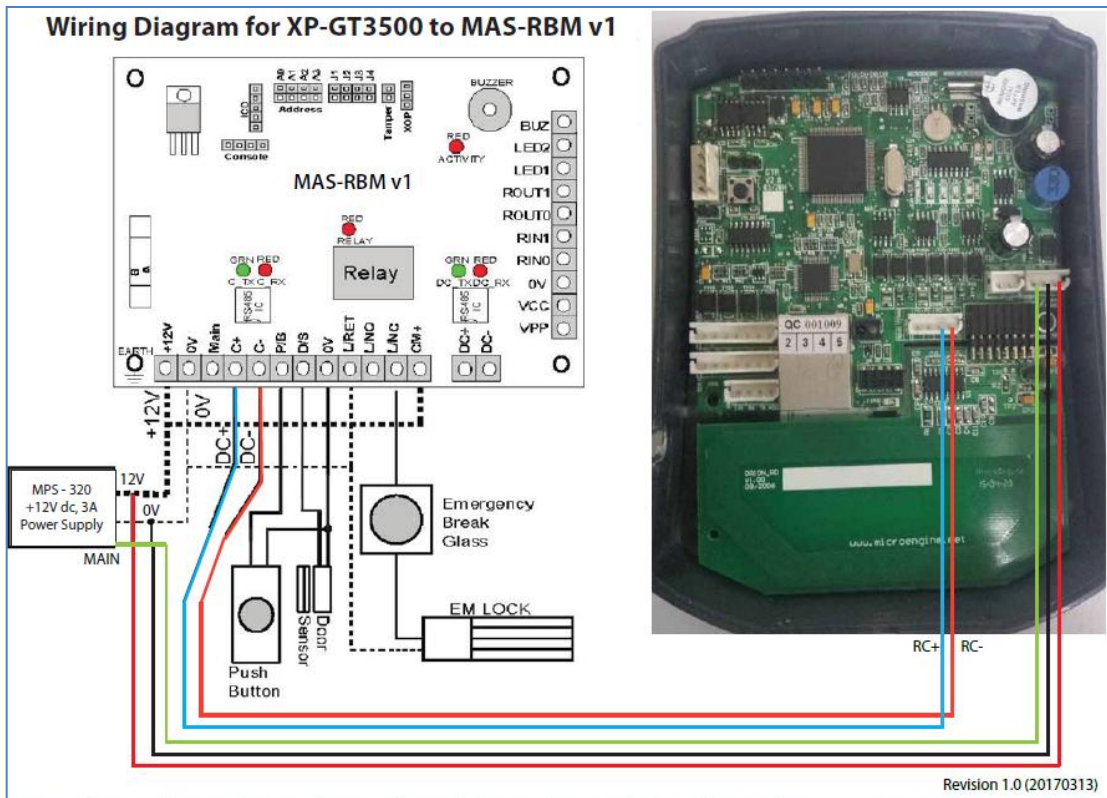
6. If the controller operate as standalone (Not connect to the software),

- a. To add staff record /Card/ID,

Please visit to <http://www.microengine.net/kb/article/AA-00314/0/>

Appendix 1

1. Wiring Diagram for XP- GT3500



2. Wiring Diagram for XP-GTR1500

