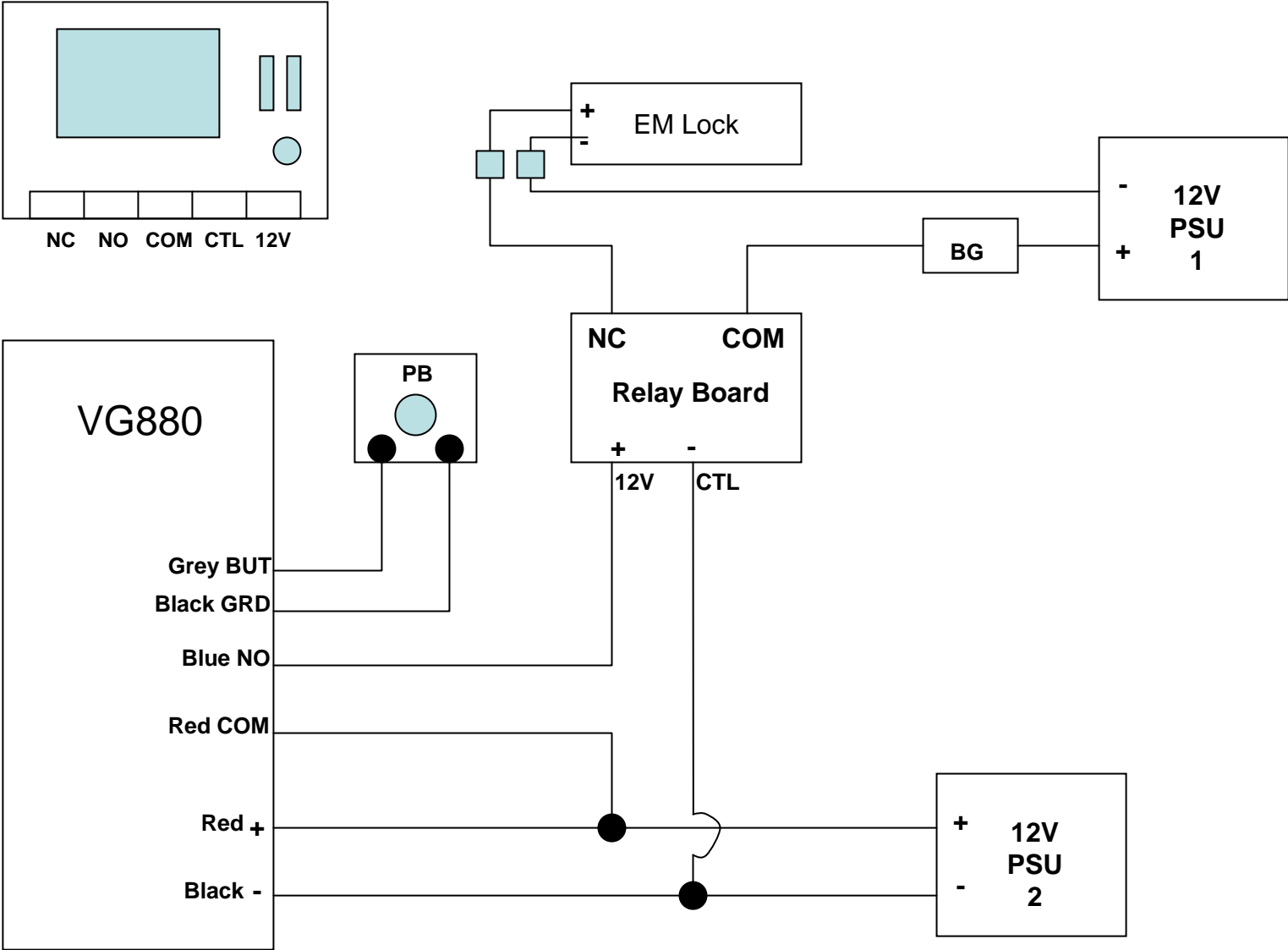


VIGILANCE – 2 PSU INSTALLATION DIAGRAM



VIGILANCE – 1 PSU INSTALLATION DIAGRAM

