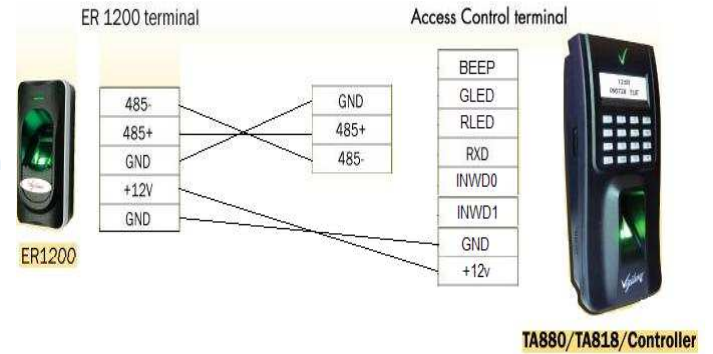
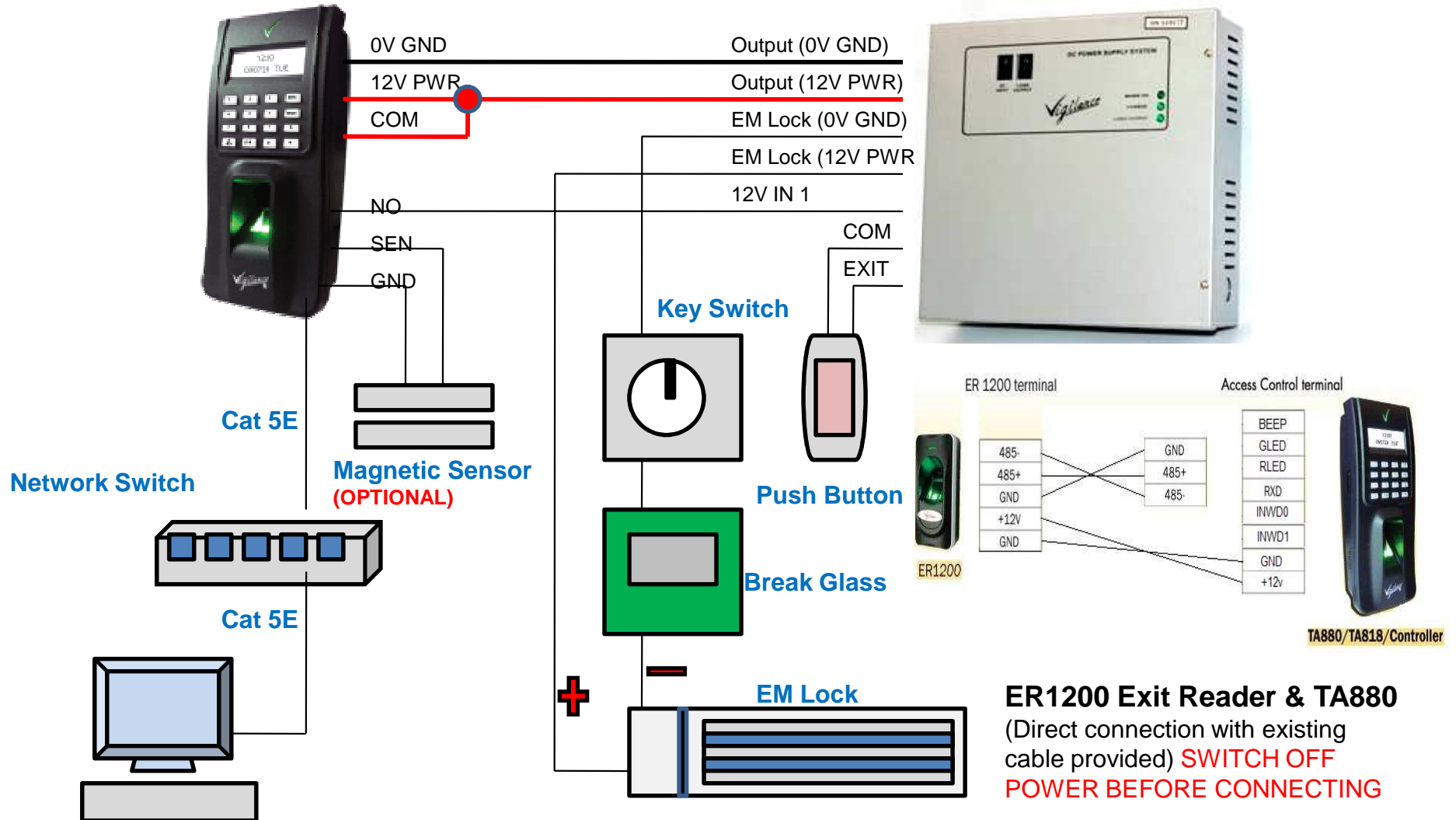


# WIRING DIAGRAM

## TA880 Fingerprint Reader

## VIGILANCE Power Supply Built-In RELAY Timer & DIODE(12VDC @ 3A)



**ER1200 Exit Reader & TA880**  
(Direct connection with existing cable provided) **SWITCH OFF POWER BEFORE CONNECTING**