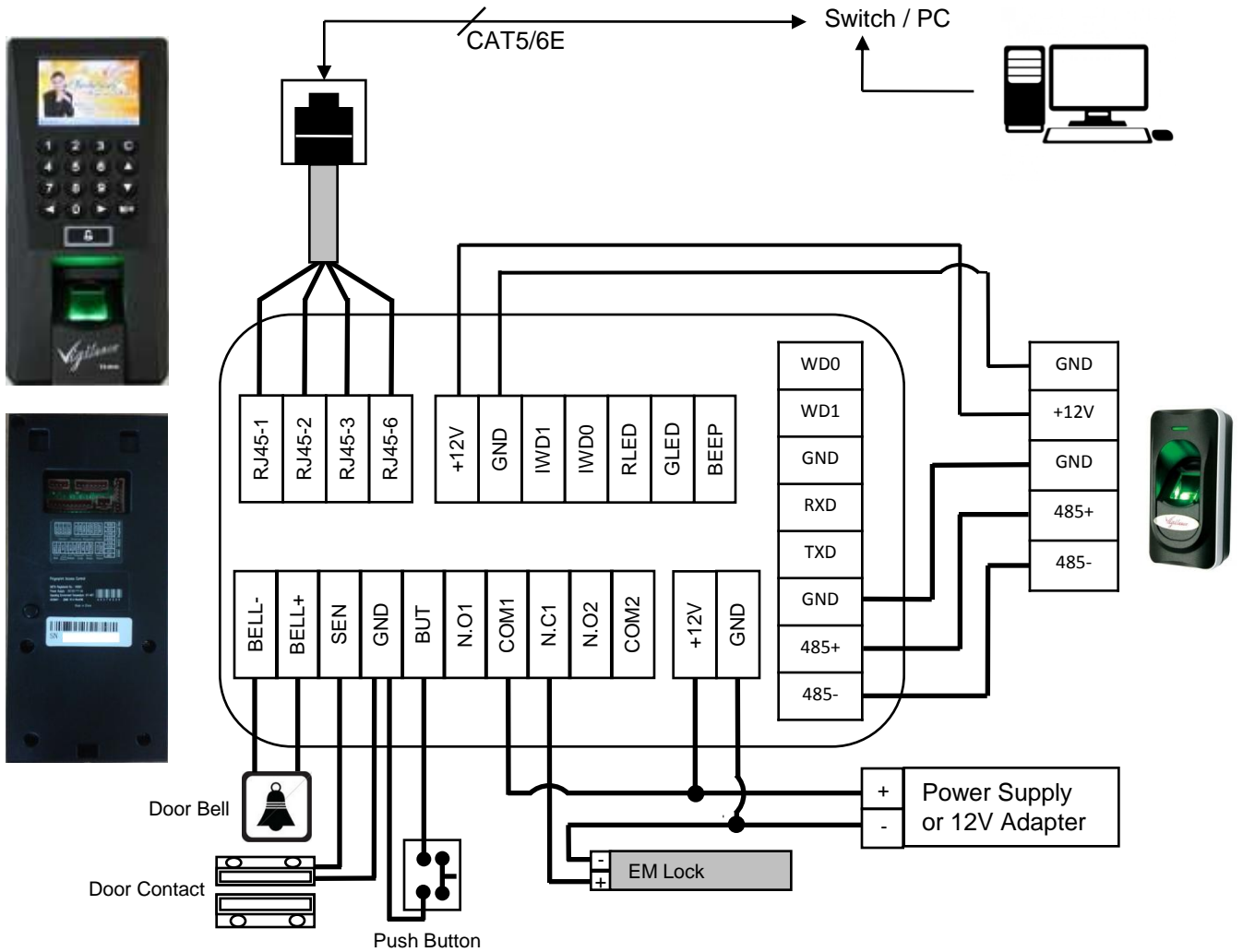


# Vigilance VG818 Wiring and Quick Programming Guide



|   |   |
|---|---|
| <p>Step to enroll Admin</p>                 | <p>Press and Hold <b>M/OK</b> button &gt; User Mng &gt; New User &gt; (input ID. No) &gt; Enroll FP &gt; place finger 3 times &gt; press <b>M/OK</b> for next finger (as backup) or press <b>C</b> for Save and Return &gt; press Down to Purview &gt; press Left or Right to "Admin" &gt; press Down to <b>OK (M/&lt;-)</b> &gt; press <b>M/OK</b> to Save &amp; Exit.</p> |
| <p>Step to enroll User</p>                  | <p>Press and Hold <b>M/OK</b> button &gt; User Mng &gt; New User &gt; (input ID.No) &gt; Enroll FP &gt; place finger 3 times &gt; press <b>M/OK</b> for next finger (as backup) or for Save and Return &gt; press Down to <b>OK (M/&lt;-)</b> &gt; press <b>M/OK</b> to Save &amp; Exit.</p>  |
| <p>Step to configure IP Address</p>         | <p>Press and Hold <b>M/OK</b> button &gt; Comm. &gt; Network &gt; input your IP Address, Subnetmask and GateWay &gt; press <b>M/OK</b> to Save &amp; Exit.</p>  |
| <p>Step to Enable Wiegand (VG120) Input</p> | <p>Press and Hold <b>M/OK</b> button &gt; User Mng &gt; Access &gt; Anti-Passback Setting &gt; click down button to 485Reader option &gt; click Left or Right to change from N=No to <b>Y=Yes</b> &gt; click <b>M/OK</b> or select <b>OK (M/&lt;-)</b> to Save and Exit.</p>  |