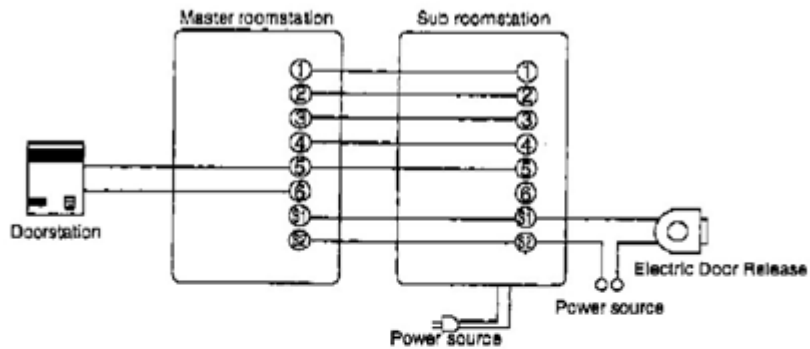


Kocom 1 to 2 Doorphone Wiring Diagram

■ WIRING



■ SPECIFICATIONS

Power source	AC 110/120/220/230/240V,50-60Hz
Output power(Audio)	70mW
Output power(Call)	H:400mW L:100mW
Effective Distance	Room-Room:30m/0.65 ϕ Room-Door :50m/0.65 ϕ
Dimension	Roomstation:88(W) × 70(H) × 230(D)mm Doorstation:100(W) × 40(H) × 128(D)mm
Weight	Master-Roomstation:510g/pc Sub-Roomstation:675g/pc Doorstation:180g/pc