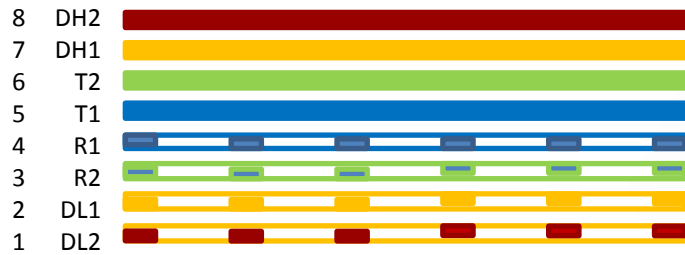


# NEC SL2100 Extension Cable Configuration

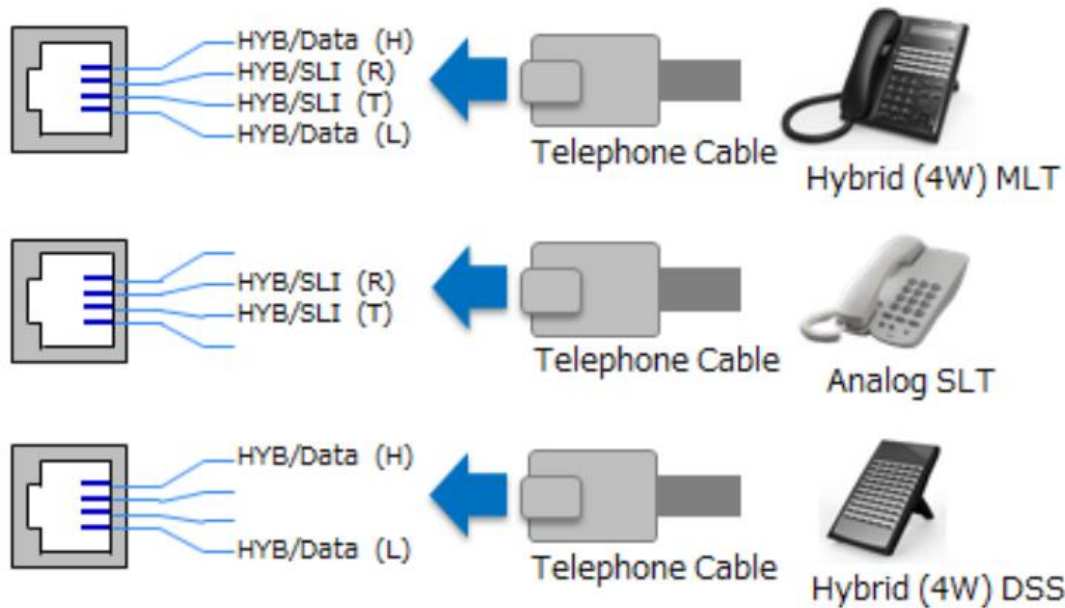


Plug in to HYB/SLI Jack



308U / 008U

## Terminal Connection:



# NEC SL2100 Door Phone Cable Configuration

## Door Phone Installation – Connect to Ext Port 6 & 7 of 308U

- Used Extension Port 6 (DP1) & Port 7 (DP2) of 308U – Maximum 6 Door Phones Per System
- Change J8 to DOOR1 and J9 to DOOR2 of 308U
- DP1 connect to cable Pin 3 & 6 of Ext Port 6 (Green Pair)
- DP2 connect to cable Pin 4 & 5 of Ext Port 7 (Blue Pair)

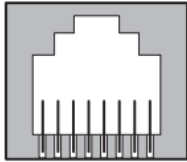


Plug in to RL/Audio Jack



308U

## Door Opener Relay

	Pin No.	Connection	
 87654321	1	Audio Out	
	2	Audio In	
	3	White Orange	Relay 2
	4	White Blue	Relay 1
	5	Blue	Relay 1
	6	Orange	Relay 2
	7		Audio In
	8		Audio Out

# NEC SL2100 CO Trunk Cable Configuration



308U