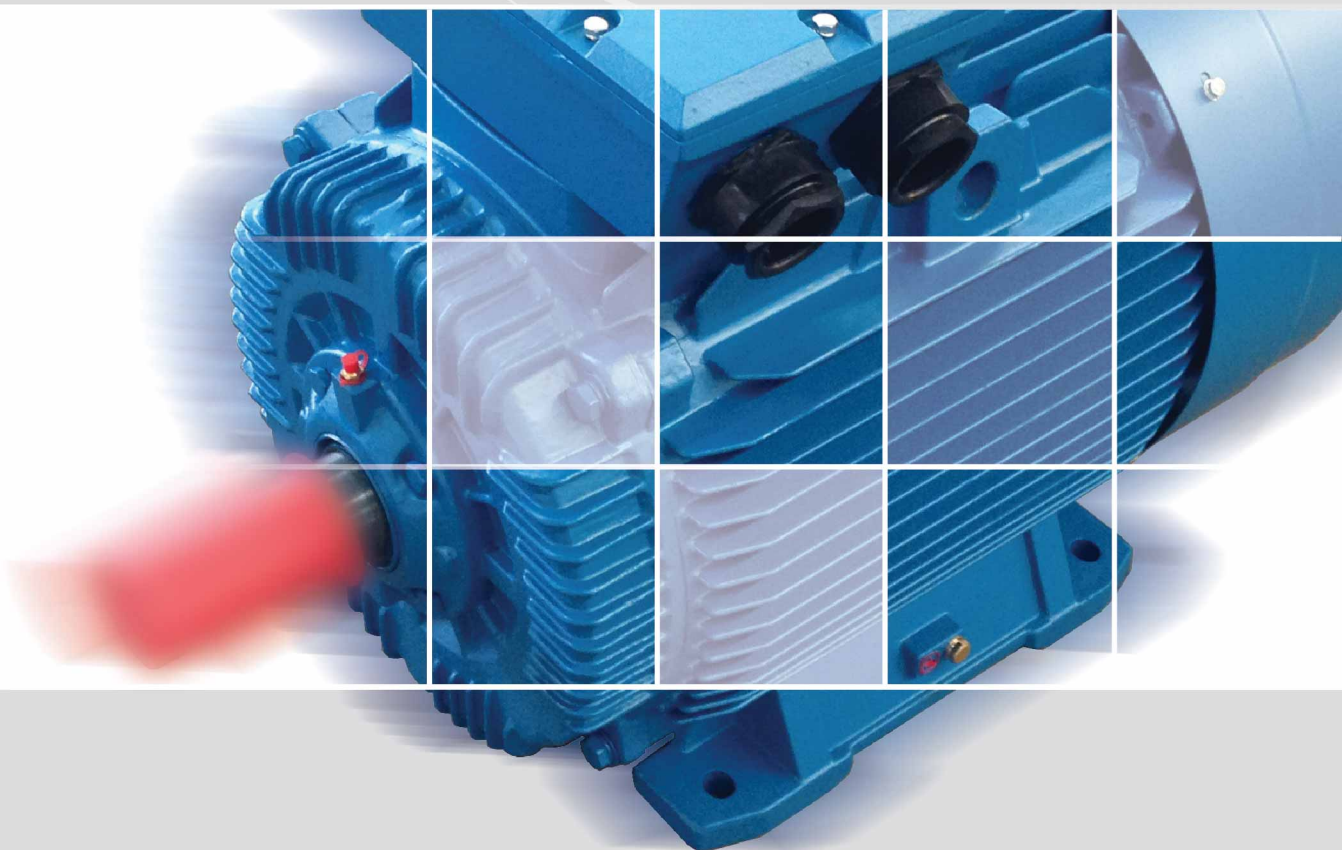


Elektra

IE3 Premium Efficiency

IEC Squirrel Cage Motors



Elektra

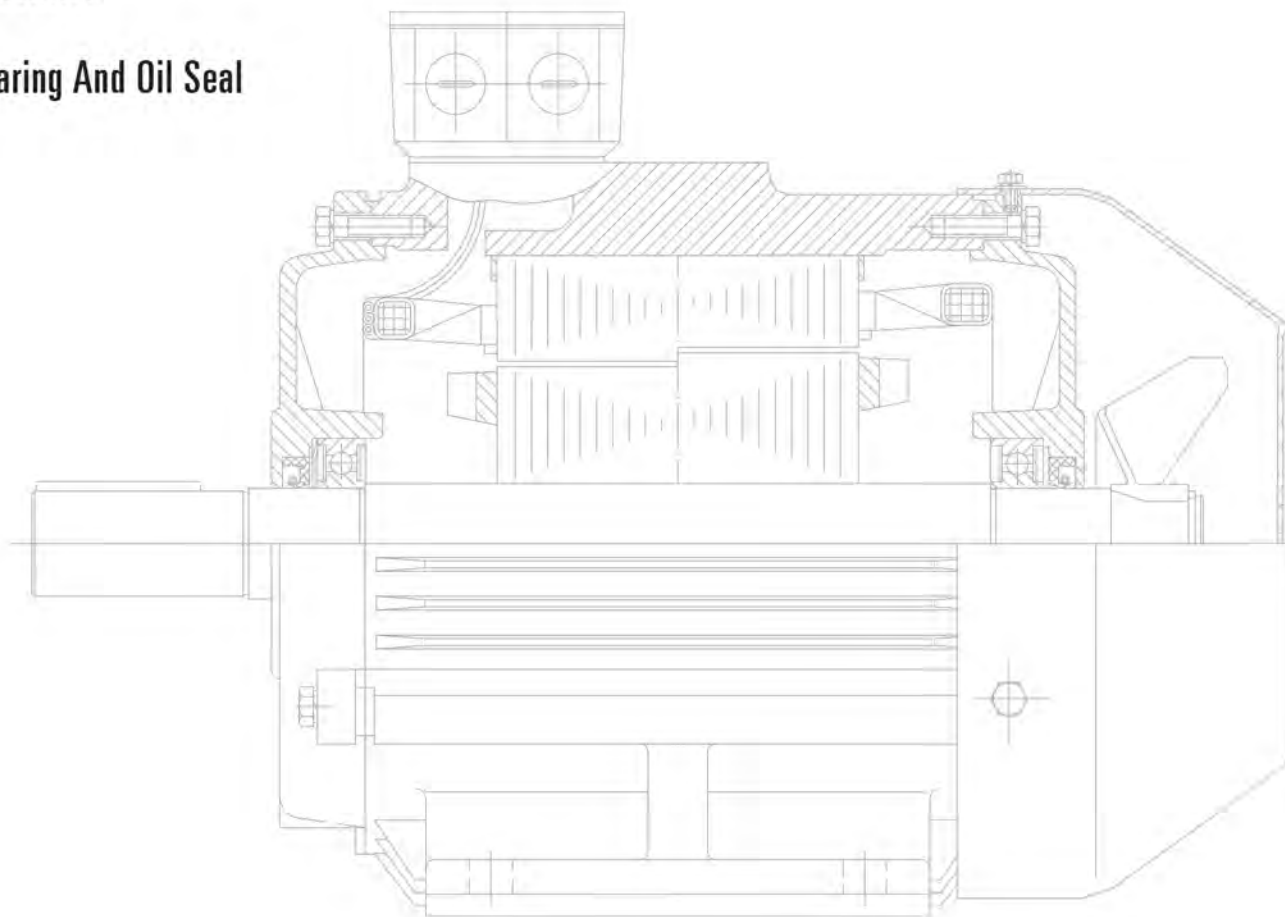
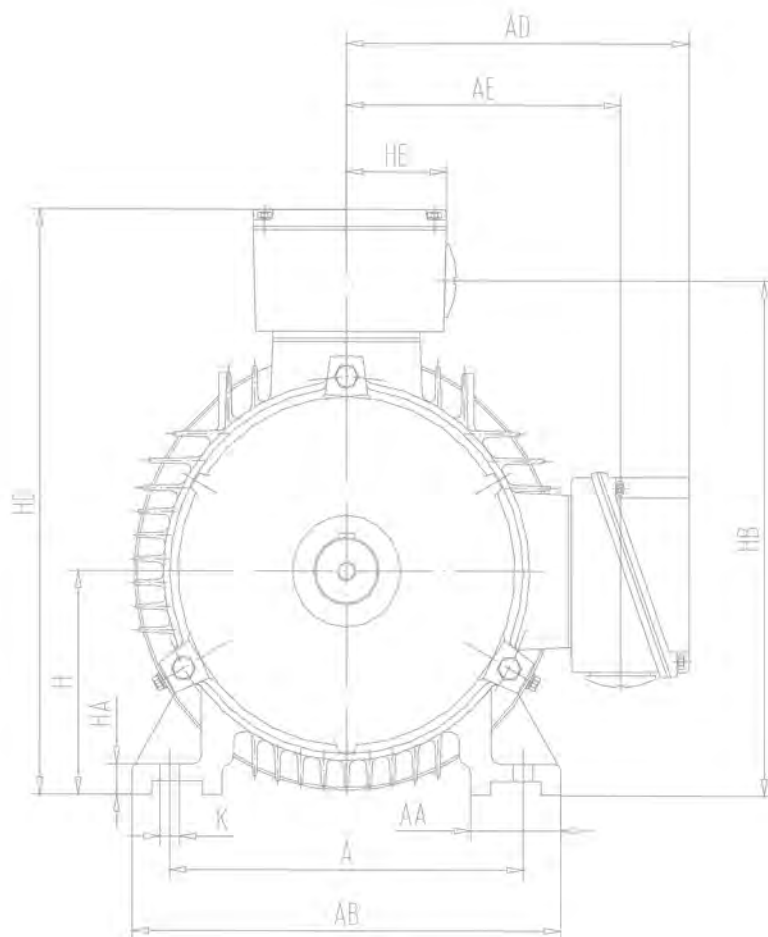
01 Specification, Arrangement & Parts List

04 Performance Data

07 Terminal Box Information

08 Dimension

12 Bearing And Oil Seal



SPECIFICATION, ARRANGEMENT & PARTS LIST

80 - 132 FRAME

Part Description

1. Oil Seal D.E.
2. Wave Spring D.E.
3. Bearing D.E.
4. Endshield D.E.
5. Terminal Box
6. Terminal Box Lid
7. Stator Lamination Pack
8. Rotor with shaft
9. Stator Frame
10. Endshield N.D.E.
11. Bearing N.D.E.
12. Oil Seal N.D.E.
13. Fan
14. Fan Cowl

Specification

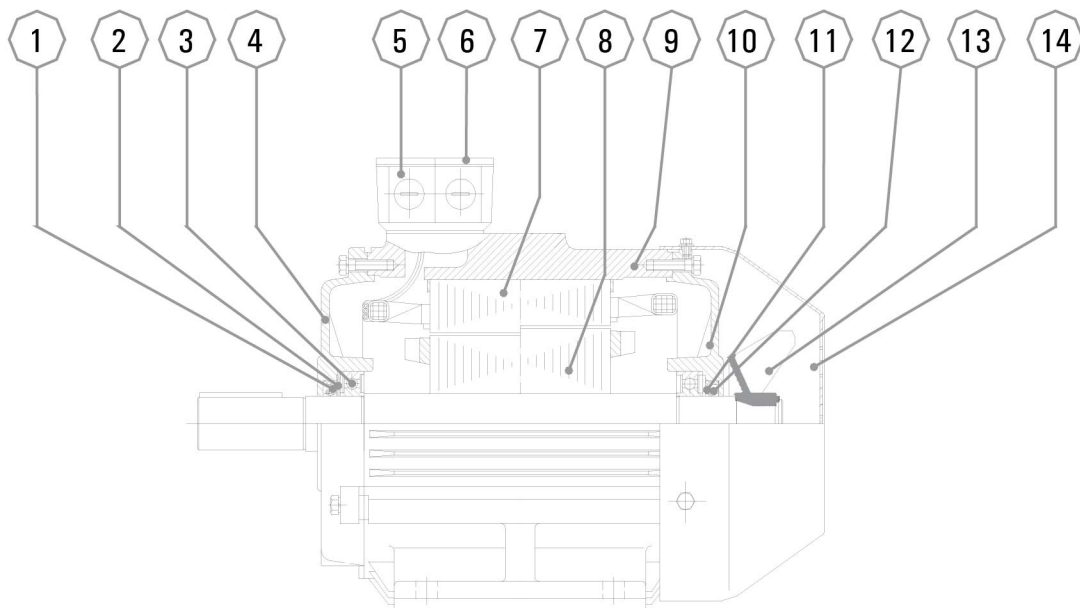
- Standard Construction
- Cast iron Frame, Endshields, Terminal Box
- Pressed Steel Fan Cowl
- Cast iron Bearings Cover
- Polypropylene, glass reinforced Fan
- NSK or equivalent Bearings

Features

- Dimensions and ratings to IEC60072
- IP55
- Top mounted Terminal Box
- Terminal Box rotates in 90 deg. Increments
- Drilled and tapped hole in D.E.of shaft
- Cooling IC411

Mounting

- B3-Foot mounted
- B5-Flange mounted-horizontal
- B3/B5-Foot and Flange mounted
- V1-Flange mounted-vertical



1D3E 80-132

SPECIFICATION, ARRANGEMENT & PARTS LIST

160 - 280 FRAME

Part Description

1. Oil Seal D.E.
2. Endshield D.E.
3. Wave Spring D.E.
4. Bearing D.E.
5. Inner Bearing Cover D.E.
6. Terminal Box
7. Terminal Box Lid
8. Stator Lamination Pack
9. Rotor with Shaft
10. Stator Frame
11. Inner Bearing Cover N.D.E.
12. Bearing N.D.E.
13. Endshield N.D.E.
14. Oil Seal N.D.E.
15. Fan
16. Fan Cowl

Specification

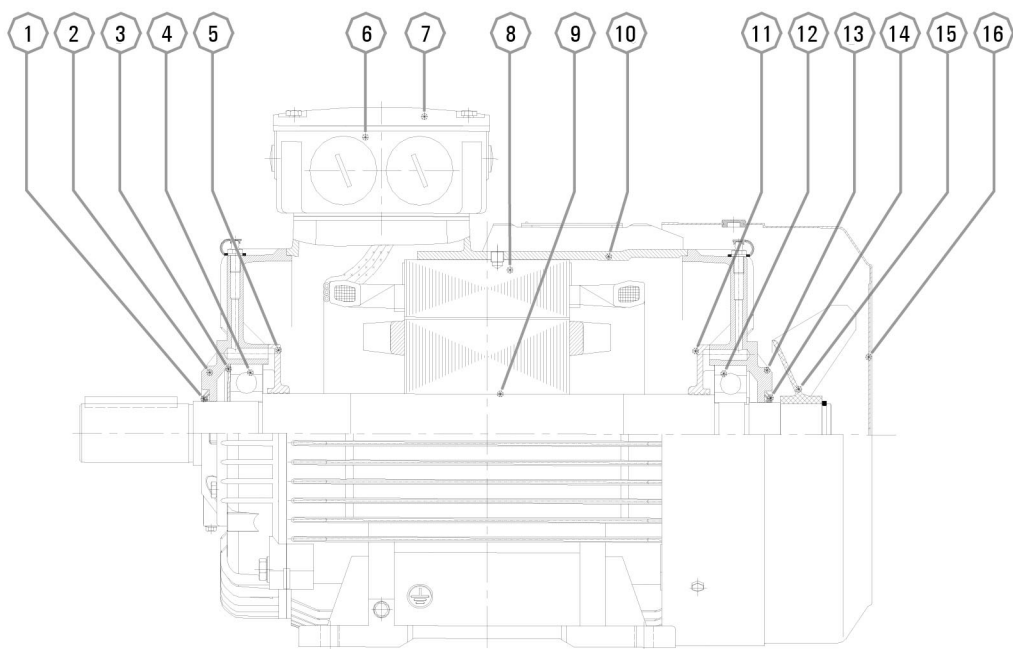
- Standard Construction
- Cast iron Frame, Endshields, Terminal Box
- Pressed Steel Fan Cowl
- Cast iron Bearings Cover
- Polypropylene, glass reinforced Fan
- NSK or equivalent Bearings

Features

- Dimensions and ratings to IEC60072
- IP55
- Top mounted Terminal Box
- Terminal Box rotates in 90 deg. Increments
- Drilled and tapped hole in D.E.of shaft
- Cooling IC411

Mounting

- B3-Foot mounted
- B5-Flange mounted-horizontal
- B35-Foot and Flange mounted
- V1-Flange mounted-vertical



1D3E 160-280

315 - 355 FRAME

Part Description

1. Oil Seal D.E.
2. Endshield D.E.
3. Wave Spring D.E.
4. Bearing D.E.
5. Inner Bearing Cover D.E.
6. Terminal Box
7. Terminal Box Lid
8. Stator Lamination Pack
9. Rotor with Shaft
10. Stator Frame
11. Inner Bearing Cover N.D.E.
12. Bearing N.D.E.
13. Endshield N.D.E.
14. Oil Seal N.D.E.
15. Fan
16. Fan Cowl

Specification

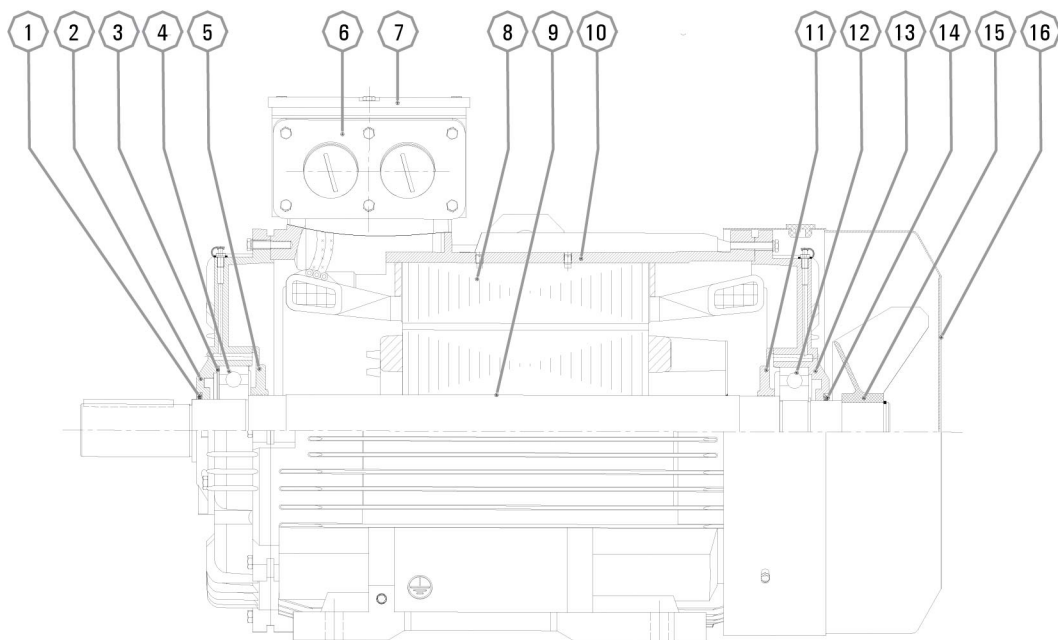
- Standard Construction
- Cast iron Frame, Endshields, Terminal Box
- Pressed Steel Fan Cowl
- Cast iron Bearings Cover
- Polypropylene, glass reinforced Fan

Features

- Dimensions and ratings to IEC60072
- IP55
- Top mounted Terminal Box
- Terminal Box rotates in 90 deg. Increments
- Drilled and tapped hole in D.E.of shaft
- Cooling IC411

Mounting

- B3-Foot mounted
- B5-Flange mounted-horizontal
- B35-Foot and Flange mounted
- V1-Flange mounted-vertical



1D3E 315-355

PERFORMANCE DATA

2 POLES - 3000 RPM SYNCHRONOUS SPEED 50Hz

IE3

MOTOR TYPE	Output kW	FULL LOAD SPEED (rpm)	IFL 380V (amps)	IFL 400V (amps)	IFL 415V (amps)	EFFICIENCY @			POWER FACTOR @			IST IFL	FULL LOAD TORQUE N-m	TST TFL	TPU TFL	TM TFL	M of I J (kg-m2)	NOISE LEVEL 1m dB(A)	NET WEIGHT (kg)
						100%FL	75%FL	50%FL	100%FL	75%FL	50%FL								
						1D3E80M1-2	0.75	2855	1.7	1.7	1.6								
1D3E80M2-2	1.1	2860	2.5	2.3	2.3	82.7	82.5	82.1	0.82	0.8	0.76	7.3	3.7	2.3	1.5	2.3	10.0013	67	22
1D3E90S-2	1.5	2865	3.2	3.1	3.0	84.2	84.0	83.8	0.84	0.82	0.81	7.6	5.0	2.3	1.5	2.3	0.0024	72	30
1D3E90L-2	2.2	2870	4.6	4.3	4.2	85.9	85.5	85.2	0.85	0.84	0.83	7.8	7.3	2.3	1.4	2.3	0.0028	72	34
1D3E100L-2	3	2890	6.2	5.8	5.6	87.1	87.5	87.0	0.85	0.83	0.82	8.1	9.9	2.3	1.4	2.3	0.0074	76	41
1D3E112M-2	4	2900	8.1	7.7	7.4	88.1	87.8	87.7	0.85	0.83	0.79	8.3	13.2	2.3	1.4	2.3	0.0085	77	43
1D3E132S1-2	5.5	2910	10.8	10.2	9.9	89.2	88.9	88.6	0.87	0.86	0.83	8.0	18.0	2.2	1.2	2.3	0.0209	80	65
1D3E132S2-2	7.5	2910	14.5	13.8	13.3	90.1	89.8	89.0	0.87	0.85	0.84	7.8	24.6	2.2	1.2	2.3	0.0285	80	72
1D3E160M1-2	11	2930	21.1	20.0	19.3	91.2	91.0	90.7	0.87	0.85	0.84	7.9	35.9	2.2	1.2	2.3	0.0536	86	128
1D3E160M2-2	15	2935	28.5	27.1	26.1	91.9	91.3	91.2	0.87	0.85	0.84	8.0	48.9	2.2	1.2	2.3	0.058	86	138
1D3E160L-2	18.5	2940	35.0	33.2	32.0	92.4	91.8	91.5	0.87	0.85	0.83	8.1	60.2	2.2	1.1	2.3	0.0674	86	154
1D3E180M-2	22	2950	41.4	39.4	38.0	92.7	92.3	92.2	0.87	0.84	0.82	8.2	71.5	2.2	1.1	2.3	0.1505	89	187
1D3E200L1-2	30	2950	56.2	53.3	51.4	93.3	92.9	92.6	0.87	0.86	0.84	7.5	97.1	2.2	1.1	2.3	0.2064	92	267
1D3E200L2-2	37	2970	69.0	65.5	63.1	93.7	93.2	93.0	0.87	0.85	0.82	7.5	119.8	2.2	1.1	2.3	0.2249	92	279
1D3E225M-2	45	2975	83.6	79.4	76.6	94	93.8	93.5	0.87	0.84	0.83	7.6	144.7	2.2	1.0	2.3	0.52	92	385
1D3E250M-2	55	2975	100.7	95.7	92.2	94.3	94.1	93.7	0.88	0.85	0.81	7.6	176.6	2.2	1.0	2.3	0.5554	93	431
1D3E280S-2	75	2975	139.9	132.9	128.1	94.7	94.5	94.2	0.86	0.85	0.83	6.9	240.8	2.0	0.9	2.3	1.25	94	581
1D3E280M-2	90	2980	163.6	155.4	149.8	95	94.6	94.3	0.88	0.87	0.82	7.0	288.9	2.0	0.9	2.3	1.42	94	633
1D3E315S-2	110	2980	197.3	187.4	180.6	95.2	94.8	94.2	0.89	0.85	0.79	7.1	352.5	2.0	0.9	2.2	1.53	96	903
1D3E315M-2	132	2980	236.2	224.4	216.3	95.4	95.3	95.1	0.89	0.87	0.84	7.1	423.0	2.0	0.9	2.2	1.78	96	1017
1D3E315L1-2	160	2980	282.5	268.4	258.7	95.6	95.3	95.2	0.90	0.85	0.82	7.1	512.8	2.0	0.9	2.2	2.16	99	1136
1D3E315L2-2	200	2980	352.4	334.8	322.7	95.8	95.6	95.4	0.90	0.87	0.83	7.1	640.9	2.0	0.8	2.2	4.54	99	1277
1D3E355M-2	250	2980	440.6	418.5	403.4	95.8	95.6	95.4	0.90	0.86	0.82	7.1	801.2	2.0	0.8	2.2	6.31	103	1637
1D3E355L-2	315	2980	555.1	527.3	508.3	95.8	95.6	95.4	0.90	0.88	0.85	7.1	1009.5	2.0	0.8	2.2	6.97	103	1790

- INL = No Load Current
- IST = Locked Rotor Current
- TST = Locked Rotor Torque
- TM = Maximum Torque
- TPU = Pull Up Torque
- TFL = Full Load Torque
- IFL = Full Load Current

PERFORMANCE DATA

4 POLES - 1500 RPM SYNCHRONOUS SPEED 50Hz

IE3

MOTOR TYPE	Output kW	FULL LOAD SPEED (rpm)	IFL 380V (amps)	IFL 400V (amps)	IFL 415V (amps)	EFFICIENCY @			POWER FACTOR @			IST IFL	FULL LOAD TORQUE N-m	TST TFL	TPU TFL	TM TFL	M of I J (kg-m2)	NOISE LEVEL 1m dB(A)	NET WEIGHT (kg)
						100%FL	75%FL	50%FL	100%FL	75%FL	50%FL								
						1D3E80M2-4	0.75	1420	1.87	1.77	1.71								
1D3E90S-4	1.1	1425	2.65	2.52	2.43	84.1	83.9	82.8	0.75	0.76	0.67	6.6	7.4	2.3	1.6	2.3	0.0046	61	29
1D3E90L-4	1.5	1425	3.6	3.4	3.3	85.3	85.0	84.5	0.75	0.76	0.66	6.9	10.1	2.3	1.6	2.3	0.005	61	34
1D3E100L1-4	2.2	1440	4.9	4.6	4.5	86.7	86.5	85.9	0.79	0.78	0.67	7.5	14.6	2.3	1.5	2.3	0.0105	64	43
1D3E100L2-4	3	1440	6.6	6.3	6.0	87.7	87.2	86.7	0.79	0.79	0.69	7.6	19.9	2.3	1.5	2.3	0.0146	64	49
1D3E112M-4	4	1440	8.7	8.2	8.0	88.6	88.9	87.4	0.79	0.79	0.69	7.7	26.5	2.3	1.5	2.3	0.0188	65	53
1D3E132S-4	5.5	1450	11.7	11.1	10.7	89.6	89.7	88.5	0.80	0.79	0.7	7.5	36.2	2.0	1.4	2.3	0.0543	71	73
1D3E132M-4	7.5	1450	15.6	14.8	14.2	90.4	90.5	89.0	0.81	0.83	0.74	7.4	49.4	2.2	1.4	2.3	0.065	71	88
1D3E160M-4	11	1465	22.6	21.4	20.7	91.4	91.3	91.1	0.81	0.8	0.7	7.5	71.7	2.2	1.4	2.3	0.11	75	129
1D3E160L-4	15	1470	29.8	28.3	27.3	92.1	91.2	89.7	0.83	0.82	0.73	7.5	97.4	2.2	1.4	2.3	0.1306	75	150
1D3E180M-4	18.5	1470	36.1	34.3	33.1	92.6	92.3	92.1	0.84	0.83	0.74	7.7	120.2	2.2	1.2	2.3	0.179	76	194
1D3E180L-4	22	1475	42.8	40.6	39.2	93	93.5	92.9	0.84	0.82	0.73	7.8	142.4	2.2	1.2	2.3	0.246	76	213
1D3E200L-4	30	1475	57.3	54.4	52.5	93.6	93.7	93.1	0.85	0.84	0.76	7.2	194.2	2.2	1.2	2.3	0.3865	79	280
1D3E225S-4	37	1480	70.4	66.9	64.5	93.9	93.7	93.6	0.85	0.84	0.76	7.3	238.8	2.2	1.2	2.3	0.7004	81	349
1D3E225M-4	45	1485	85.4	81.1	78.2	94.2	94.8	93.9	0.85	0.83	0.74	7.4	289.4	2.2	1.1	2.3	0.8412	81	380
1D3E250M-4	55	1485	103.9	98.7	95.2	94.6	95.0	94.9	0.85	0.84	0.76	7.4	353.7	2.2	1.1	2.3	1.16	83	438
1D3E280S-4	75	1485	137.9	131.0	126.2	95	95.5	94.5	0.87	0.85	0.77	6.7	482.3	2.2	1.0	2.3	2.18	86	595
1D3E280M-4	90	1485	165.1	156.8	151.2	95.2	95.7	95.0	0.87	0.85	0.77	6.9	578.8	2.2	1.0	2.3	2.79	86	684
1D3E315S-4	110	1485	201.4	191.3	184.4	95.4	96.0	95.0	0.87	0.88	0.83	6.9	707.4	2.2	1.0	2.2	3.25	93	954
1D3E315M-4	132	1490	241.1	229.1	220.8	95.6	96.3	95.6	0.87	0.88	0.84	6.9	846.0	2.2	1.0	2.2	3.78	93	1050
1D3E315L1-4	160	1490	288.4	273.9	264.0	95.8	96.3	95.7	0.88	0.9	0.87	6.9	1025.5	2.2	1.0	2.2	3.79	97	1138
1D3E315L2-4	200	1490	359.7	341.7	329.4	96	95.9	95.4	0.88	0.9	0.88	6.9	1281.9	2.2	0.9	2.2	6.95	97	1241
1D3E355M-4	250	1490	444.6	422.3	407.1	96	96.6	95.8	0.89	0.9	0.87	6.9	1602.3	2.2	0.8	2.2	8.44	101	1671
1D3E355L-4	315	1490	560.2	532.2	512.9	96	96.4	95.8	0.89	0.9	0.86	6.9	2019.0	2.2	0.8	2.2	11.3	101	1934

- INL = No Load Current
- IST = Locked Rotor Current
- TST = Locked Rotor Torque
- TM = Maximum Torque
- TPU = Pull Up Torque
- TFL = Full Load Torque
- IFL = Full Load Current

PERFORMANCE DATA

6 POLES - 1000 RPM SYNCHRONOUS SPEED 50Hz

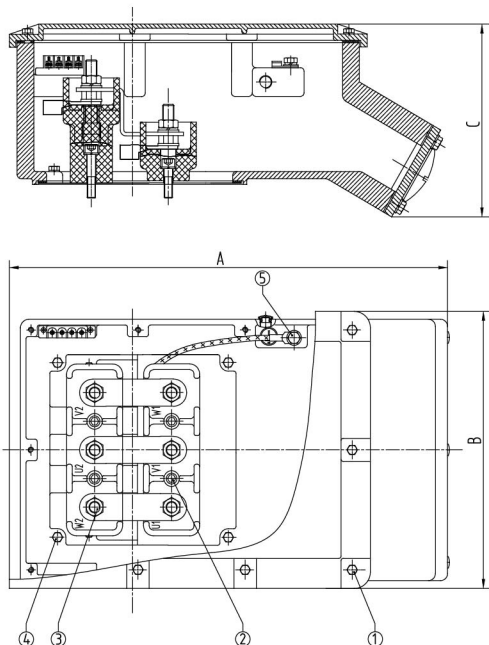
IE3

MOTOR TYPE	Output kW	FULL LOAD SPEED (rpm)	IFL 380V (amps)	IFL 400V (amps)	IFL 415V (amps)	EFFICIENCY @			POWER FACTOR @			IST IFL	FULL LOAD TORQUE N-m	TST TFL	TPU TFL	TM TFL	M of I J (kg-m2)	NOISE LEVEL 1m dB(A)	NET WEIGHT (kg)
						100%FL	75%FL	50%FL	100%FL	75%FL	50%FL								
						1D3E90S-6	0.75	945	2.1	2.0	1.9								
1D3E90L-6	1.1	945	2.9	2.8	2.7	81	79.7	78.5	0.70	0.62	0.59	5.9	11.1	2.1	1.3	2.1	0.007	57	33
1D3E100L-6	1.5	955	3.8	3.6	3.5	82.5	83.8	81.0	0.73	0.69	0.58	6.0	15.0	2.1	1.3	2.1	0.0128	61	41
1D3E112M-6	2.2	955	5.4	5.2	5.0	84.3	84.5	83.0	0.73	0.69	0.56	6.0	22.0	2.0	1.3	2.1	0.0225	65	53
1D3E132S-6	3	965	7.3	6.9	6.7	85.6	86.9	85.5	0.73	0.7	0.58	6.2	29.7	2.0	1.3	2.1	0.0435	69	66
1D3E132M1-6	4	965	9.5	9.0	8.7	86.8	85.9	85.6	0.74	0.71	0.60	6.8	39.6	2.0	1.3	2.1	0.0521	69	72
1D3E132M2-6	5.5	965	12.8	12.2	11.8	88	87.8	87.5	0.74	0.73	0.61	7.1	54.4	2.0	1.3	2.1	0.065	69	87
1D3E160M-6	7.5	970	17.3	16.4	15.8	89.1	90.1	87.5	0.74	0.73	0.62	6.7	73.8	2.1	1.3	2.1	0.1422	73	124
1D3E160L-6	11	970	25.0	23.8	22.9	90.3	89.9	89.2	0.74	0.73	0.62	6.9	108.3	2.1	1.2	2.1	0.1755	73	156
1D3E180L-6	15	980	32.5	30.8	29.7	91.2	90.9	90.1	0.77	0.77	0.67	7.2	146.2	2.0	1.2	2.1	0.34	73	199
1D3E200L1-6	18.5	980	38.3	36.4	35.1	91.7	91.2	90.8	0.80	0.79	0.70	7.2	180.3	2.1	1.2	2.1	0.3812	76	249
1D3E200L2-6	22	980	45.3	43.1	41.5	92.2	91.8	91.2	0.80	0.79	0.70	7.3	214.4	2.1	1.2	2.1	0.4491	76	278
1D3E225M-6	30	985	60.6	57.5	55.5	92.9	92.8	91.7	0.81	0.82	0.76	7.1	290.9	2.0	1.2	2.1	0.9856	76	317
1D3E250M-6	37	985	71.7	68.1	65.7	93.3	93.1	91.8	0.84	0.83	0.77	7.1	358.7	2.1	1.2	2.1	1.35	78	418
1D3E280S-6	45	990	86.9	82.5	79.5	93.7	93.5	93.2	0.84	0.83	0.75	7.2	434.1	2.1	1.1	2.0	2.47	80	565
1D3E280M-6	55	990	105.7	100.4	96.8	94.1	93.7	93.5	0.84	0.83	0.76	7.2	530.6	2.1	1.0	2.0	2.65	80	619
1D3E315S-6	75	990	143.4	136.2	131.3	94.6	94.4	93.8	0.84	0.82	0.77	6.7	723.5	2.0	1.0	2.0	3.49	85	855
1D3E315M-6	90	990	171.5	163.0	157.1	94.9	94.5	93.8	0.84	0.82	0.79	6.7	868.2	2.0	1.0	2.0	4.12	85	1039
1D3E315L1-6	110	990	209.2	198.8	191.6	95.1	94.7	94.2	0.84	0.82	0.79	6.7	1061.1	2.0	1.0	2.0	9.31	85	1190
1D3E315L2-6	132	990	247.3	235.0	226.5	95.4	94.8	94.2	0.85	0.81	0.80	6.7	1273.3	2.0	1.0	2.0	10.5	85	1331
1D3E355M1-6	160	990	292.3	277.7	267.6	95.6	95.1	94.9	0.87	0.85	0.82	6.7	1543.4	2.0	1.0	2.0	11.4	92	1590
1D3E355M2-6	200	990	364.6	346.4	333.8	95.8	96.0	95.4	0.87	0.85	0.83	6.7	1929.3	2.0	0.9	2.0	13.5	92	1674
1D3E355L-6	250	990	455.7	433.0	417.3	95.8	96.0	95.3	0.87	0.86	0.84	6.7	2411.6	2.0	0.9	2.0	14.4	92	1767

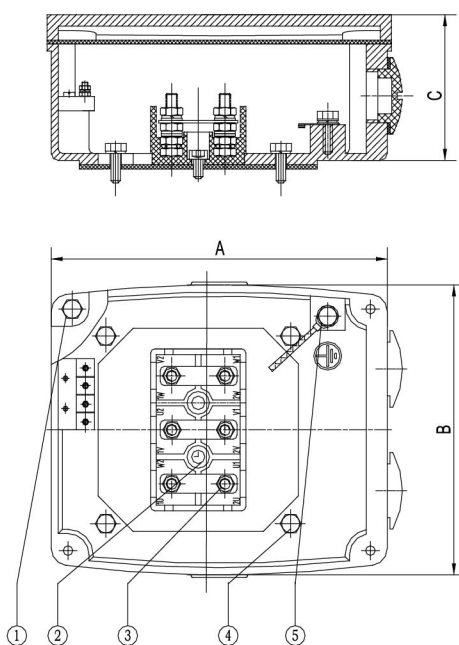
- INL = No Load Current
- IST = Locked Rotor Current
- TST = Locked Rotor Torque
- TM = Maximum Torque
- TPU = Pull Up Torque
- TFL = Full Load Torque
- IFL = Full Load Current

1D3E SERIES TERMINAL BOX INFORMATION

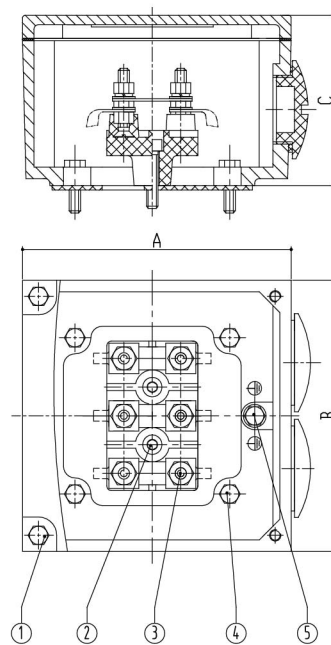
355



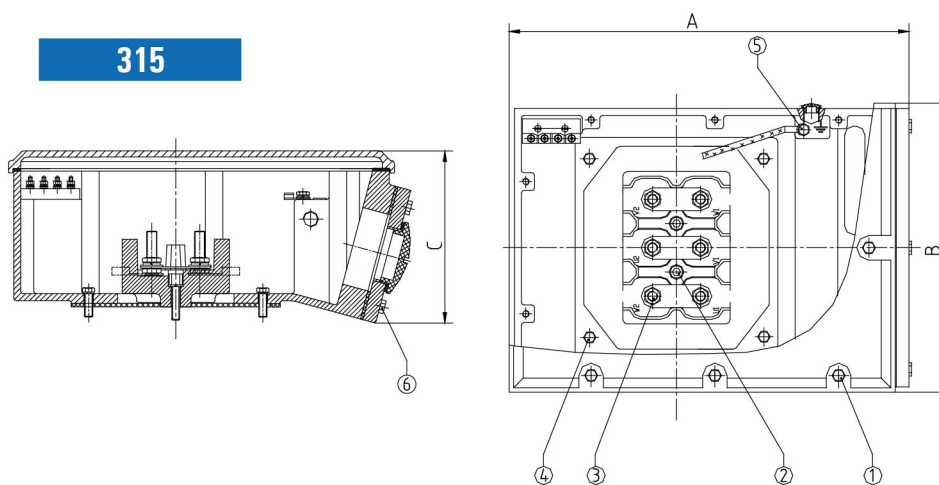
160 ~ 280



80-132



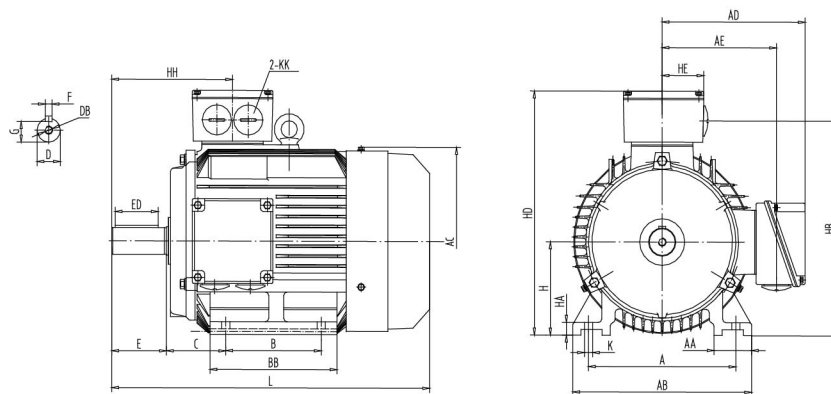
315



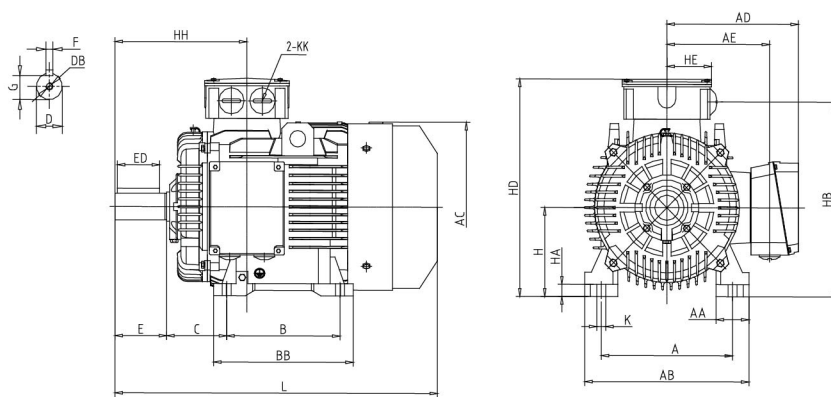
FRAME	A	B	C	1	2	3	4	5	6	Metric Gland Sizes	PG Gland Sizes
80-100	118	118	61	M5X16	M5X20	M4	M5X16	M5X12		2XM25X1.5	2XPG16
112-132	118	118	77	M5X16	M5X25	M5	M5X20	M5X12		2XM32X1.5	2XPG21
160-180	183	185	85	M6X20	M6X20	M6	M6X25	M6X16		2XM40X1.5	2XPG29
200-225	249	210	102	M6X16	M8X25	M8	M8X25	M8X16		2XM50X1.5	2XPG36
250-280	275	238	110	M6X20	M10X30	M10	M8X25	M10X20		2XM63X1.5	2XPG42
315	460	317	190	M8X25	M10X55	M12	M12X30	M10X25	M8X30	2XM63X1.5	2XPG42
355	620	390	275	M8X30	M12X60	M16	M12X40	M10X20	M10X40	2XM63X1.5	2XPG42

1D3E SERIES DIMENSIONS FOOT MOUNT B3 IM1001

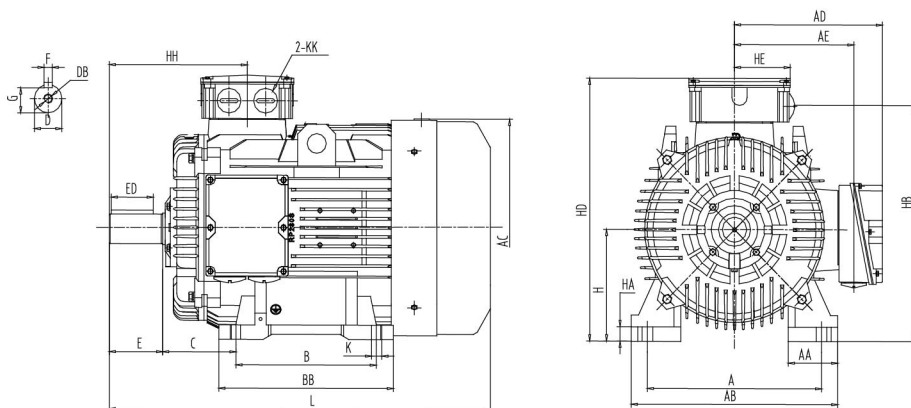
80 ~ 132



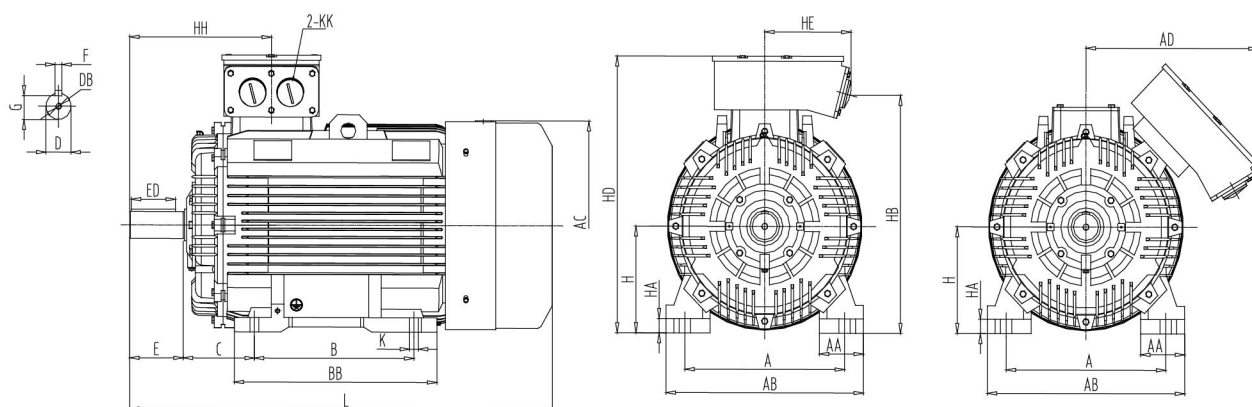
160 ~ 200



225 ~ 280



315 ~ 355

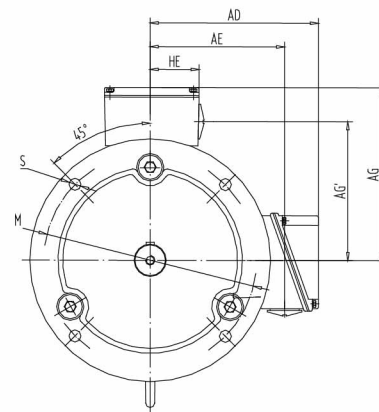
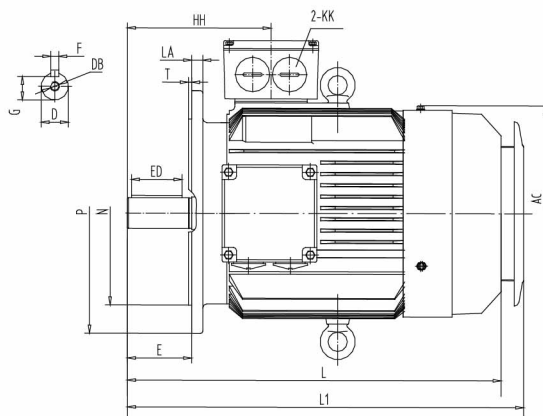


1D3E SERIES DIMENSIONS FOOT MOUNT B3 IM1001

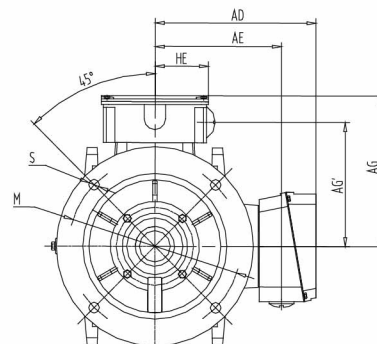
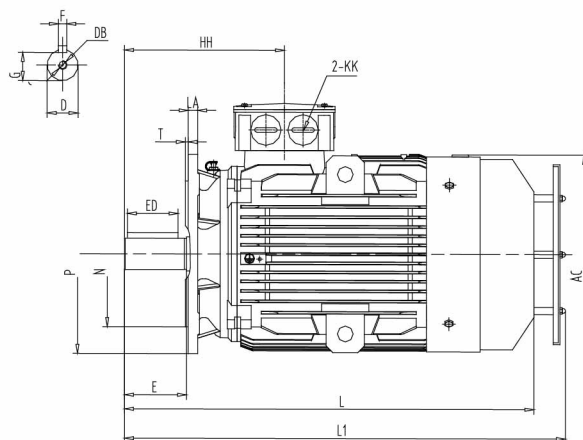
FRAME	A	AA	AB	AC	AD	AE	B	BB	C	D	DB	E	ED	F	G	H	HA	HB	HD	HE	HH	K	KK	L
80	125	36	165	160	150	112	100	150	50	19	M6X16	40	25	6	16	80	10	192	230	59	112	10	M25X1.5	310
90S	140	38	180	176	155	116	100	180	56	24	M8X19	50	40	8	20	90	12	206	245	59	166	10	M25X1.5	350
90L	140	38	180	176	155	116	125	205	56	24	M8X19	50	40	8	20	90	12	206	245	59	166	10	M25X1.5	375
100L	160	42	200	200	170	130	140	203	63	28	M10X22	60	45	8	24	100	14	230	270	59	143	12	M25X1.5	410
112M	190	45	226	220	198	153	140	180	70	28	M10X22	60	45	8	24	112	13	265	310	59	154	12	M32X1.5	400
132S	216	55	262	260	218	173	140	186	89	38	M12X28	80	63	10	33	132	18	305	350	59	179	12	M32X1.5	470
132M	216	55	262	260	205	164	178	224	89	38	M12X28	80	63	10	33	132	18	305	350	59	179	12	M32X1.5	510
160M	254	65	314	330	270	205	210	268	108	42	M16X36	110	90	12	37	160	20	365	415	95	269	14.5	M40X1.5	625
160L	254	65	314	330	270	205	254	312	108	42	M16X36	110	90	12	37	160	20	365	415	95	269	14.5	M40X1.5	670
180M	279	70	349	380	285	220	241	296	121	48	M16X36	110	90	14	43	180	22	400	450	95	274	15	M40X1.5	700
180L	279	70	349	380	285	220	279	335	121	48	M16X36	110	90	14	43	180	22	400	450	95	274	15	M40X1.5	740
200L	318	72	380	420	325	255	305	366	133	55	M20X42	110	90	16	49	200	23	445	510	165.5	296	19	M50X1.5	780
225S-4,6,8	356	75	431	470	340	270	286	380	149	60	M20X42	140	110	18	53	225	28	507	550	165.5	329	19	M50X1.5	820
225M-2	356	75	431	470	340	270	311	405	149	55	M20X42	110	90	16	49	225	28	507	550	165.5	299	19	M50X1.5	820
225M-4,6,8	356	75	431	470	340	270	311	405	149	60	M20X42	140	110	18	53	225	28	507	550	165.5	329	19	M50X1.5	850
250M-2	406	110	480	510	365	290	349	440	168	60	M20X42	140	110	18	53	250	38	560	620	185	355	24	M63X1.5	945
250M-4,6,8	406	110	480	510	365	290	349	440	168	65	M20X42	140	110	18	58	250	38	560	620	185	355	24	M63X1.5	945
280S-2	457	130	542	580	391	320	368	458	190	65	M20X42	140	110	18	58	280	33	600	670	146	359	24	M63X1.5	1020
280S-4,6,8	457	130	542	580	391	320	368	458	190	75	M20X42	140	110	20	68	280	33	600	670	146	359	24	M63X1.5	1020
280M-2	457	130	542	580	391	320	419	509	190	65	M20X42	140	110	18	58	280	33	600	670	146	359	24	M63X1.5	1070
280M-4,6,8	457	130	542	580	391	320	419	509	190	75	M20X42	140	110	20	68	280	33	600	670	146	359	24	M63X1.5	1070
315S-2	508	140	628	645	560	440	406	595	216	65	M20X42	140	110	18	58	315	43	745	840	275	415	28	M63X1.5	1200
315S-4,6,8	508	140	628	645	560	440	406	595	216	80	M20X42	170	140	22	71	315	43	745	840	275	445	28	M63X1.5	1230
315M-2	508	140	628	645	560	440	457	645	216	65	M20X42	140	110	18	58	315	43	745	840	275	415	28	M63X1.5	1310
315M-4,6,8	508	140	628	645	560	440	457	645	216	80	M20X42	170	140	22	71	315	43	745	840	275	445	28	M63X1.5	1340
315L-2	508	140	628	645	560	440	508	645	216	65	M20X42	140	110	18	58	315	43	745	840	275	415	28	M63X1.5	1310
315L-4,6,8	508	140	628	645	560	440	508	645	216	80	M20X42	170	140	22	71	315	43	745	840	275	445	28	M63X1.5	1340
355M-2	610	150	740	720	710	483	560	805	254	75	M24X50	140	110	20	68	355	55	838	1060	447	419	28	M63X1.5	1650
355M-4,6,8	610	150	740	720	710	483	560	805	254	95	M24X50	170	140	25	86	355	55	838	1060	447	449	28	M63X1.5	1680
355L-2	610	150	740	720	710	483	630	805	254	75	M24X50	140	110	20	68	355	55	838	1060	447	419	28	M63X1.5	1650
355L-4,6,8	610	150	740	720	710	483	630	805	254	95	M24X50	170	140	25	86	355	55	838	1060	447	449	28	M63X1.5	1680

1D3E SERIES DIMENSIONS FLANGE MOUNT B5 IM3001

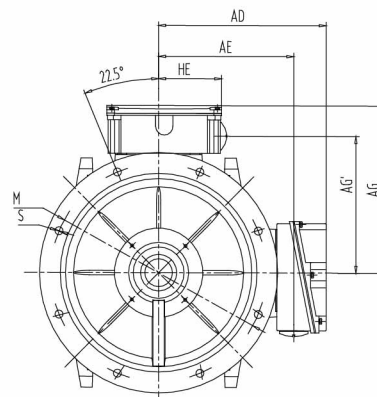
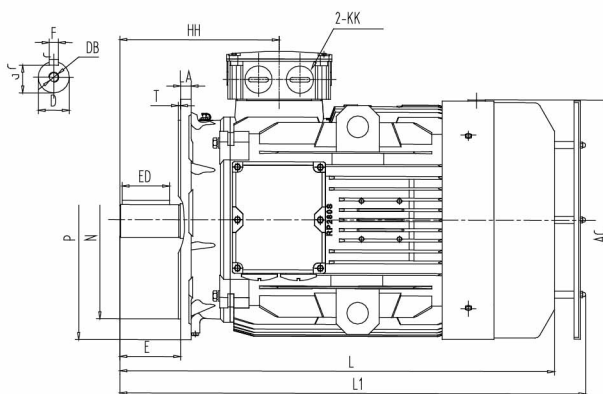
80 ~ 132



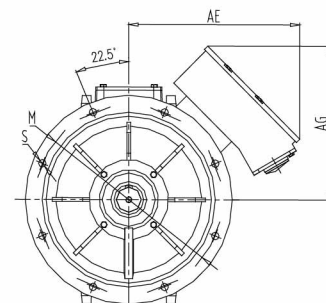
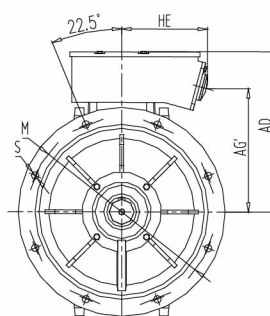
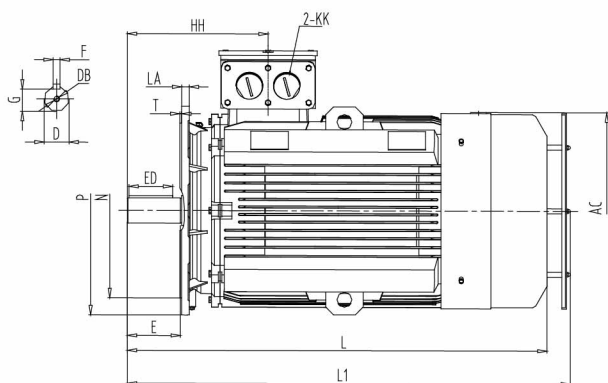
160 ~ 200



225 ~ 280



315 ~ 355

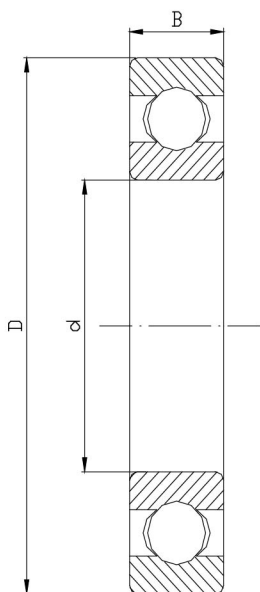


1D3E SERIES DIMENSIONS FLANGE MOUNT B5 IM3001

FRAME	AC	AD	AG	AG'	D	DB	E	ED	F	G	HE	HH	KK	L1	L	LA	M	N	P	S	T
80	175	150	150	112	19	M6X16	40	25	6	15.5	59	112	M25X1.5	310	310	12	165	130	200	4X12	3.5
90S	195	155	155	116	24	M8X19	50	40	8	20	59	166	M25X1.5	375	350	12	165	130	200	4X12	3.5
90L	195	155	155	116	24	M8X19	50	40	8	20	59	166	M25X1.5	400	375	12	165	130	200	4X12	3.5
00L	215	170	170	130	28	M10X22	60	45	8	24	59	143	M25X1.5	43.5	410	15	215	180	250	4X14.5	4
112M	220	198	198	162	28	M10X22	60	45	8	24	59	154	M32X1.5	465	400	14	215	180	250	4X14.5	4
132S	260	218	218	182	38	M12X28	80	63	10	33	59	179	M32X1.5	535	470	14	265	230	300	4X14.5	4
132M	260	218	218	182	38	M12X28	80	63	10	33	59	179	M32X1.5	575	510	14	265	230	300	4X14.5	4
160M	330	260	255	215	42	M16X36	110	90	12	37	95	269	M40X1.5	695	625	15	300	250	350	4X18.5	5
160L	330	260	255	215	42	M16X36	110	90	12	37	95	269	M40X1.5	740	670	15	300	250	350	4X18.5	5
180M	380	275	270	225	48	M16X36	110	90	14	42.5	95	274	M40X1.5	785	700	18	300	250	350	4X18.5	5
180L	380	275	270	225	48	M16X36	110	90	14	42.5	95	274	M40X1.5	820	740	18	300	250	350	4X18.5	5
200L	420	325	310	254	55	M20X42	110	90	16	49	165.5	296	M50X1.5	865	780	18	350	300	400	4X18.5	5
225S-4,6,8	470	340	325	282	60	M20X42	140	110	18	53	165.5	329	M50X1.5	900	820	20	400	350	450	8X18.5	5
225M-2	470	340	325	282	55	M20X42	110	90	16	49	165.5	299	M50X1.5	900	820	20	400	350	450	8X18.5	5
225M-4,6,8	470	340	325	282	60	M20X42	140	110	18	53	165.5	329	M50X1.5	930	850	20	400	350	450	8X18.5	5
250M-2	510	365	370	310	60	M20X42	140	110	18	53	185	347	M63X1.5	1010	935	22	500	450	550	8X18.5	5
250M-4,6,8	510	365	370	310	65	M20X42	140	110	18	58	185	347	M63X1.5	1010	935	22	500	450	550	8X18.5	5
280S-2	580	387	390	314	65	M20X42	140	110	18	58	146	359	M63X1.5	1085	1020	22	500	450	550	8X18.5	5
280S-4,6,8	580	387	390	314	75	M20X42	140	110	20	67.5	146	359	M63X1.5	1085	1020	22	500	450	550	8X18.5	5
280M-2	580	387	390	314	65	M20X42	140	110	18	58	146	359	M63X1.5	1135	1070	22	500	450	550	8X18.5	5
280M-4,6,8	580	387	390	314	75	M20X42	140	110	20	67.5	146	359	M63X1.5	1135	1070	22	500	450	550	8X18.5	5
315S-2	645	560	525	410	65	M20X42	140	110	18	58	275	415	M63X1.5	1275	1200	24	600	550	660	8X24	6
315S-4,6,8	645	560	525	410	80	M20X42	170	140	22	71	275	445	M63X1.5	1305	1230	24	600	550	660	8X24	6
315M-2	645	560	525	410	65	M20X42	140	110	18	58	275	415	M63X1.5	1385	1310	24	600	550	660	8X24	6
315M-4,6,8	645	560	525	410	80	M20X42	170	140	22	71	275	445	M63X1.5	1415	1340	24	600	550	660	8X24	6
315L-2	645	560	525	410	65	M20X42	140	110	18	58	275	415	M63X1.5	1385	1310	24	600	550	660	8X24	6
315L-4,6,8	645	560	525	410	80	M20X42	170	140	22	71	275	445	M63X1.5	1415	1340	24	600	550	660	8X24	6
355M-2	710	710	705	500	75	M24X50	140	110	20	67.5	447	419	M63X1.5	1710	1650	24	740	680	800	8X24	6
355M-4,6,8	710	710	705	500	95	M24X50	170	140	25	86	447	449	M63X1.5	1740	1680	24	740	680	800	8X24	6
355L-2	710	710	705	500	75	M24X50	140	110	20	67.5	447	419	M63X1.5	1710	1650	24	740	680	800	8X24	6
355L-4,6,8	710	710	705	500	95	M24X50	170	140	25	86	447	449	M63X1.5	1740	1680	24	740	680	800	8X24	6

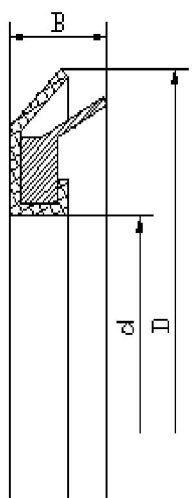
1D3E SERIES BEARING & OIL SEALS INFORMATION

BEARING DATA



FRAME	DE	d	D	B	NDE	d	D	B
80	6204ZZCM	20	47	14	6204ZZCM	20	47	14
90	6205ZZCM	25	52	15	6205ZZCM	25	52	15
100	6206ZZCM	30	62	16	6206ZZCM	30	62	16
112	6206ZZCM	30	62	16	6206ZZCM	30	62	16
132	6208ZZCM	40	80	18	6208ZZCM	40	80	18
160-2	6209C3	45	85	19	6209C3	45	85	19
160-4,6,8	6309C3	45	100	25	6309C3	45	100	25
180-2	6211C3	55	100	21	6211C3	55	100	21
180-4,6,8	6311C3	55	120	29	6311C3	55	120	29
200-2	6212C3	60	110	22	6212C3	60	110	22
200-4,6,8	6312C3	60	130	31	6312C3	60	130	31
225-2	6312C3	60	130	31	6312C3	60	130	31
225-4,6,8	6313C3	65	140	33	6313C3	65	140	33
250-2	6313C3	65	140	33	6313C3	65	140	33
250-4,6,8	6314C3	70	150	35	6314C3	70	150	35
280-2	6314C3	70	150	35	6314C3	70	150	35
280-4,6,8	6317C3	85	180	41	6317C3	85	180	41
315-2	6317C3	85	180	41	6317C3	85	180	41
315-2 V1	6317C3	85	180	41	7317B	85	180	41
315-4,6,8	6319C3	95	200	45	6319C3	95	200	45
315-4,6,8 V1	6319C3	95	200	45	7319B	95	200	45
355-2	6319C3	95	200	45	6319C3	95	200	45
355-2 V1	6319C3	95	200	45	7319B	95	200	45
355-4,6,8	NU322C3	110	240	50	6322C3	110	240	50
355-4,6,8 V1	NU322C3	110	240	50	7322B	110	240	50

OIL SEAL DATA



FRAME	DE			NDE		
	d	D	B	d	D	B
80	19.7	35	6	19.7	35	6
90	24.7	40	6	24.7	40	6
100	29.7	47	6	29.7	47	6
112	29.7	47	6	29.7	47	6
132	39.7	57	6	39.7	57	6
160	44.7	62	6	44.7	62	6
180	54.7	75	7	54.7	75	7
200	59.7	80	7	59.7	80	7
225-2	59.7	80	7	59.7	80	7
225-4,6,8	64.7	85	7	64.7	85	7
250-2	64.7	85	7	64.7	85	7
250-4,6,8	69.7	90	7	69.7	90	7
280-2	69.7	90	7	69.7	90	7
280-4,6,8	84.7	105	7	84.7	105	7
315-2	84.7	105	7	84.7	105	7
315-4,6,8	94.7	115	7	94.7	115	7
355-2	94.7	115	7	94.7	115	7
355-4,6,8	109.7	130	8	109.7	130	8

