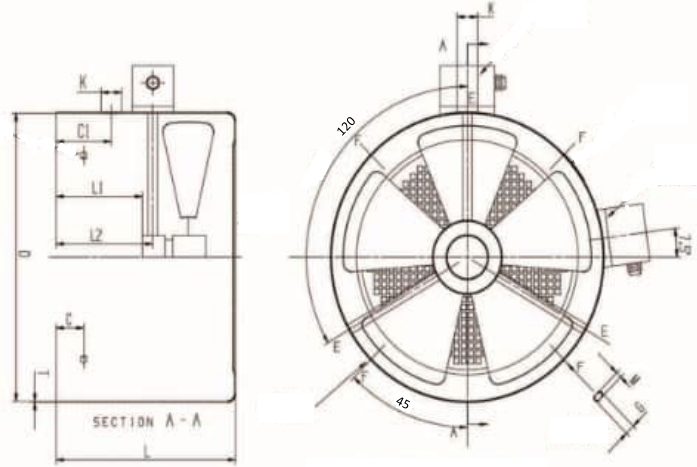


# Elektra Force Cooling Fan



G Series cooling fan for frequency conversion motor--A Type (lengthening) installation size

Model	D	L	C	C1	G	M	T	K	L2	L1	n	Leaf Blade Number
G-71B	136 ± 1.6	140	12.5		10	6	0.8		66	60	3	6
G-80B	153 ± 1.6	160	15		10	6	1.0		85	79	3	6
G-90B	173 ± 1.6	170	15		10	6	1.0		95	89	3	6
G-100B	193 ± 1.85	177	15		10	6	1.0		92	86	3	6
G-112B	217 ± 1.85	183	17		10	6	1.0		98	92	3	6
G-132B	256 ± 2.1	220	17		10	6	1.2		130	124	3	5
G-160B	311 ± 2.1	250	20		12	7	1.3		155	149	4	5
G-180B	352 ± 2.3	290	35	72	14	8	1.4	30	190	175	4	5
G-200B	394 ± 2.3	310	35	75	14	8	1.4	30	210	195	4	5
G-225B	442 ± 2.5	346	45	82	18	10	1.5	30	220	205	4	5
G-250B	481 ± 2.5	377	55	96	18	10	1.5	30	240	220	4	5
G-280B	543 ± 2.8	420	55	93	18	10	1.5	30	275	254	4	5
G-315B	616 ± 2.8	515	75	150	25	12	1.8	30	351	341	4	5
G-355B	694 ± 3.2	520	82	159	25	12	2.0	30	340	330	4	5
G-400B	850 ± 3.2	660	201	285	25	12	2.0	30	410	400	4	5

Model	Power	Current(A)	Speed(r/min)	Airflow(m <sup>3</sup> /h)	Air Press(Pa)	Noise(dB(A))	Frequency(Hz)	Voltage(V)	Protection Grade	Insulation Class
G-71B	30	0.065	2800	280	55	45	50	380	IP54	F
G-80B	30	0.065	2800	300	60	48	50	380	IP54	F
G-90B	40	0.085	2800	500	80	50	50	380	IP54	F
G-100B	80	0.16	2800	660	85	52	50	380	IP54	F
G-112B	80	0.16	2800	900	88	55	50	380	IP54	F
G-132B (-2P)	90	0.18	2800	1100	85	60	50	380	IP54	F
G-132B (-4P)	80	0.16	1400	1000	90	57	50	380	IP54	F
G-160B (-2P)	140	0.30	2800	1400	90	72	50	380	IP54	F
G-160B (-4P)	100	0.20	1400	1300	92	57	50	380	IP54	F
G-180B	120	0.24	1400	2000	97	58	50	380	IP54	F
G-200B	150	0.30	1400	3000	105	59	50	380	IP54	F
G-225B	230	0.46	1400	4200	118	60	50	380	IP54	F
G-250B	370	0.70	1400	4600	125	62	50	380	IP54	F
G-280B	450	0.90	1400	5000	138	63	50	380	IP54	F
G-315B	520	1.05	1400	6200	150	65	50	380	IP54	F
G-355B	600	1.20	1400	6500	155	67	50	380	IP54	F
G-400B	750	1.50	1400	8000	160	80	50	380	IP54	F
G-280	600	1.20	1400	7000	138	70	50	380	IP54	F
G-315	700	1.40	1400	8000	150	75	50	380	IP54	F
G-355	800	1.60	1400	9000	155	80	50	380	IP54	F
G-400	1100	2.0	1400	10000	160	85	50	380	IP54	F