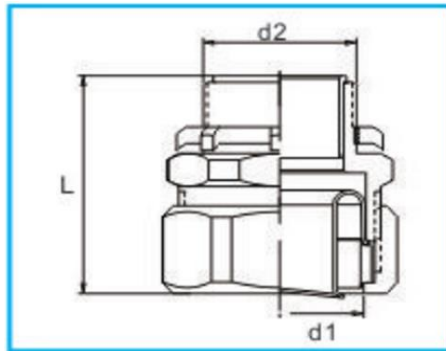




TMI
METAL CONDUIT SYSTEMS

Liquid Tight Connector Straight Type



Material: Zinc, PVC, Rubber

Processing: Die Cast

Usage: Flexible conduit to adapter Box

CAT#	SIZE	d1(mm)	d2(mm)	L(mm)	WEIGHT(g)
A098001	3/4"	13.9	M25*1.5	37.6	57.4
A098002	1"	17	M32*1.5	41.7	90.2
A098003	1-1/4"	21.9	M40*1.5	46.6	146
A098004	1-1/2"	26.4	M50*1.5	50.4	166
A098005	2"	48.8	M63*1.5	58	326



- Features :**
- Malleable iron, ductile cast iron or steel, zinc plated.
 - For LSZH pvc coated flexible metal conduit.
 - Metric thread
 - Furnished with O-ring and insulating liner
 - Locknut attached.