

2MP IR Fixed Bullet Analog Camera

UAC-B112-F28

UAC-B112-F40



Introduction

UAC-B112-F28/F40 is a 2MP bullet analog camera with 1/3-inch high-performance CMOS image sensor. Support AHD/TVI/CVI/CVBS protocol, effectively enhance product adaptability and networking solution diversity; With SYV-75-3 and other types of coaxial cable the video transmission distance can reach up to 500 meters, which can achieve low-cost, long-distance, anti-interference, no delay mega-pixel HD video transmission; Support ICR IR filter automatic switching, color imaging for daytime, black and white imaging for nighttime.

Key Features

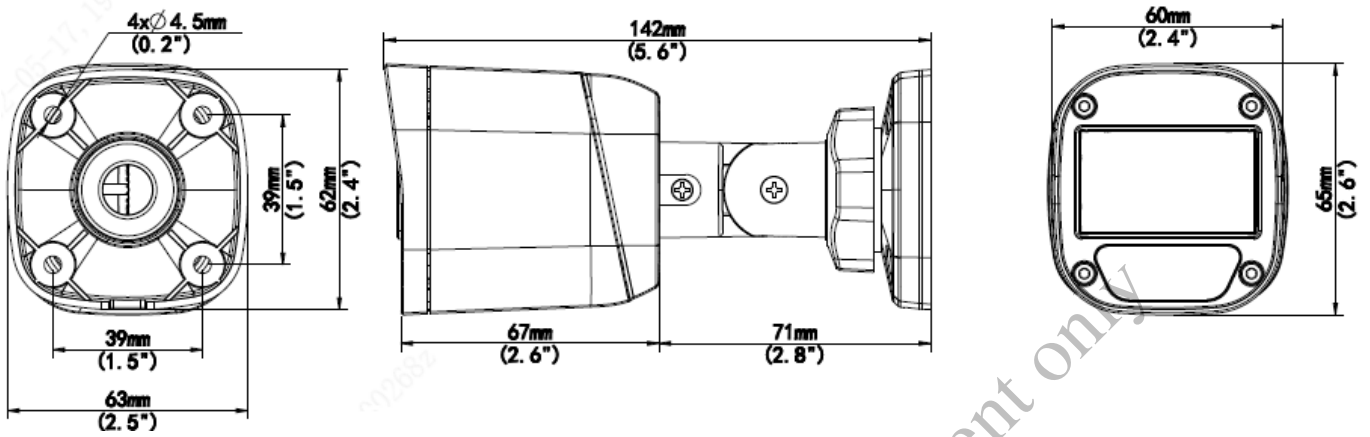
- 2MP, HD
- Fixed lens 2.8mm/4mm
- AHD/TVI/CVI/CVBS
- IR-cut filter with auto switch (ICR)
- Smart-IR function is available, effectively prevents overexposure at short range
- Support image horizontal flip 180°, vertical rotation 180°
- Support OSD configuration, which is easy to configure and operate
- IP67 High reliability with waterproof and dustproof design
- Support 11 languages

Specifications

| Model | UAC-B112-F28/F40 |
|------------------------------|---|
| Sensor | |
| Pixel | 2MP |
| Size | 1/3" |
| Minimum Illumination | colour 0.02Lux@F2.0 |
| Lens | |
| Lens | 2.8mm@F2.0, 4.0mm@F2.0 |
| Lens mount | M12 |
| FOV | 2.8mm: H 90.3°; V 48.6°; D 107.6° 4.0mm: H 75.7°; V 41.9°; D 90.5° |
| IR Range | |
| Fill-in Light | An IR Light |
| IR distance | 20m |
| Life span | ≥60000h |
| Image | |
| Resolution | Max. resolution: 1920(H)×1080(V) |
| Frame rate | AHD/TVI/CVI: 1080P@25fps, 720P@25fps; 1080P@30fps, 720P@30fps CVBS: 1200*576@50fps; 1200*480@60fps (PAL: 25fps/50fps; NTSC: 30fps/60fps) |
| Shutter | PAL: 1/25s-1/50000s NTSC: 1/30s-1/50000s |
| Image control | |
| Exposure mode | Three modes optional: Overall (Default), BLC, DWDR; |
| Day/Night | IR-cut filter with auto switch (ICR) |
| DNR | 2D |
| White balance | Auto |
| WDR | DWDR |
| Smart IR | Available |
| Flip | Support image horizontal flip 180°, vertical rotation 180° |
| Interface | |
| Power | DC12V(±25%), Support anti-reverse connection and overvoltage protection |
| Video output | BNC, Support AHD/TVI/CVI/CVBS transmission |
| Transmission distance | |
| Transmission distance | SYV-75-3 cable supports 500m transmission |
| Working Environment | |
| Temperature | -30°C~60°C |
| Humidity | ≤95% RH (non-condensing) |
| Surge Protection | 4KV |
| Ingress Protection | IP67 |
| General | |
| Installation | the camera is equipped with 3-axis bracket, support surface installation (default), adaptable to junction box, wall-mount bracket and ceil-mount bracket. |
| Dimensions | 141.4mm*63.7mm*65.4mm (Length*Width*Height) |

| | |
|----------------|--------------------------|
| Certifications | CB, CE, FCC, IC, UL, BIS |
|----------------|--------------------------|

Dimensions



UAC-B112-F28/F40 Dimensions



Zhejiang Uniview Technologies Co., Ltd.

Building No.10, Wanlun Science Park, Jiangling Road 88, Binjiang District, Hangzhou, Zhejiang, China (310051)

Email: overseasbusiness@uniview.com; globalsupport@uniview.com

<http://www.uniview.com>

©2021 Zhejiang Uniview Technologies Co., Ltd. All rights reserved.

*Product specifications and availability are subject to change without notice.