

2MP IR Fixed Turret Analog Camera

UAC-T112-F28

UAC-T112-F40



Introduction

UAC-T112-F28/F40 is a 2MP turret analog camera with 1/3-inch high-performance CMOS image sensor. Support AHD/TVI/CVI/CVBS protocol, effectively enhance product adaptability and networking solution diversity; With SYV-75-3 and other types of coaxial cable the video transmission distance can reach up to 500 meters, which can achieve low-cost, long-distance, anti-interference, no delay mega-pixel HD video transmission; Support ICR IR filter automatic switching, color imaging for daytime, black and white imaging for nighttime.

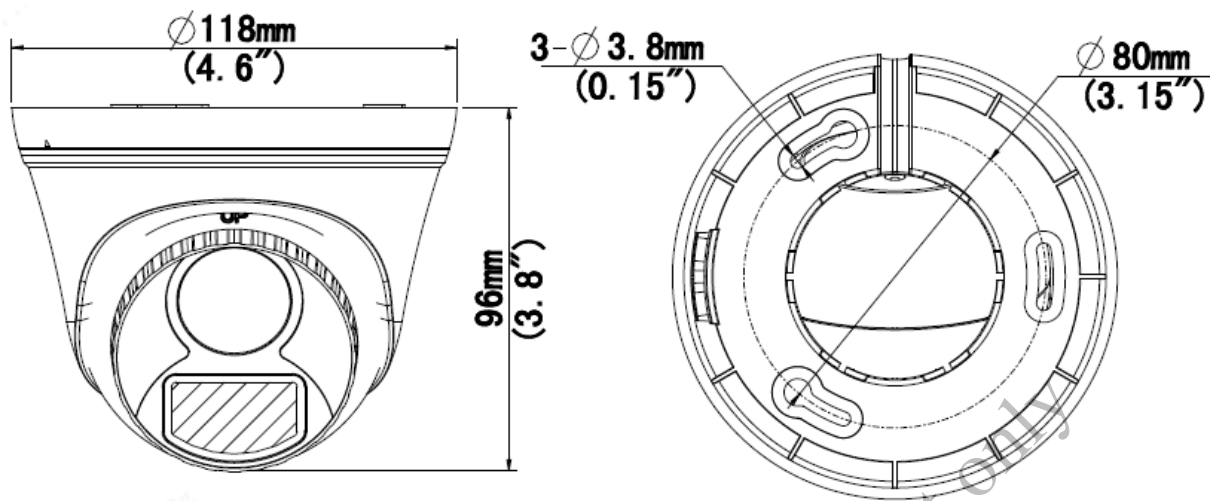
Key Features

- 2MP, HD
- Fixed lens 2.8mm/4mm
- AHD/TVI/CVI/CVBS
- IR-cut filter with auto switch (ICR)
- Smart-IR function is available, effectively prevents overexposure at short range
- Support image horizontal flip 180°, vertical rotation 180°
- Support OSD configuration, which is easy to configure and operate
- IP67 High reliability with waterproof and dustproof design
- Support 11 languages

Specifications

Model	UAC-T112-F28/F40
Sensor	
Pixel	2MP
Size	1/3"
Minimum Illumination	colour 0.02Lux@F2.0
Lens	
Lens	2.8mm@F2.0, 4.0mm@F2.0
Lens mount	M12
FOV	2.8mm: H 90.3°; V 48.6°; D 107.6° 4.0mm: H 75.7°; V 41.9°; D 90.5°
IR Range	
Fill-in Light	An IR Light
IR distance	20m
Life span	≥60000h
Image	
Resolution	Max. resolution: 1920(H)×1080(V)
Frame rate	AHD/TVI/CVI: 1080P@25fps, 720P@25fps ; 1080P@30fps, 720P@30fps CVBS: 1200*576@50fps; 1200*480@60fps (PAL: 25fps/50fps; NTSC: 30fps/60fps)
Shutter	PAL: 1/25s-1/50000s NTSC: 1/30s-1/50000s
Image control	
Exposure mode	Three modes optional: Overall (Default), BLC, DWDR;
Day/Night	IR-cut filter with auto switch (ICR)
DNR	2D
White balance	Auto
WDR	DWDR
Smart IR	Available
Flip	Support image horizontal flip 180°, vertical rotation 180°
Interface	
Power	DC12V(±25%), Support anti-reverse connection and overvoltage protection
Video output	BNC, Support AHD/TVI/CVI/CVBS transmission
Transmission distance	
Transmission distance	SYV-75-3 cable supports 500m transmission
Working Environment	
Temperature	-30°C~60°C
Humidity	≤95% RH (non-condensing)
Surge Protection	4KV
Ingress Protection	IP67
General	
Installation	the camera is equipped with 3-axis bracket, support surface installation (default), adaptable to junction box, wall-mount bracket and ceil-mount bracket.
Dimensions	Φ118mm×96mm
Certifications	CB, CE, FCC, IC, UL, BIS

Dimensions



UAC-T112-F28/F40 Dimensions



Zhejiang Uniview Technologies Co., Ltd.

Building No.10, Wanlun Science Park, Jiangling Road 88, Binjiang District, Hangzhou, Zhejiang, China (310051)

Email: overseasbusiness@uniview.com; globalsupport@uniview.com

<http://www.uniview.com>

©2021 Zhejiang Uniview Technologies Co., Ltd. All rights reserved.

*Product specifications and availability are subject to change without notice.