



LUMINAIRE SPECIFICATIONS

▪ Voltage	AC 100~277V 50/60Hz
▪ Power	60W, 80W, 100W, 120W, 150W, 180W, 200W, 240W
▪ Power Factor	0.97
▪ Ingress Protection	IP65
▪ Impact Protection	IK08
▪ Operation Temp	- 30°C to +55°C
▪ Beam Angles	60°, 90°, 120°
▪ Optical Cover	PC or Tempered Glass
▪ Fitting Material	Die Cast Aluminum with Anti Corrosive Treatment
▪ Installation Method	Hook, Bracket.
▪ Compliance	EN60598-1, EN60598-2-1 EN62031, EN62493, EN62471, EN55015, EN61547, EN61000-3-2 EN61000-3-3.

LED MODULE SPECIFICATIONS

▪ Color Temperature	3000K, 5000K & 6000K
▪ Luminous Efficiency	140LM/W±%
▪ Color Rendering Index	≥ 80
▪ Lifespan	50,000 hours (Ta=30 @L70)
▪ Compliance	LM 80

Driver SPECIFICATIONS

▪ Protection	Over Voltage Over Current Over Temperature Surge > 4KV
▪ Compliance	EN55015, EN61000-3-2 EN61000-3-3 EN61000-4-2,3,4,5,6,8,11 EN61547

Product Certifications



Remarks:

Detail and specification are current at the time of publication but may be changed without prior notice

APPLICATIONS

- Factories, Warehouses, Halls, Hangars etc. Mounting Heights from 4M – 20M



PRODUCT CODE

- MXP-HB060-RST 60W
- MXP-HB080-RST 80W
- MXP-HB100-RST 100W
- MXP-HB120-RST 120W
- MXP-HB150-RST 150W
- MXP-HB200-RST 200W
- MXP-HB240-RST 240W

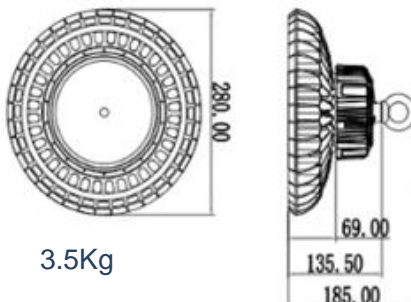
LUMINOUS FLUX

- 8400 Lumens
- 11200 Lumens
- 14000 Lumens
- 16800 Lumens
- 21000 Lumens
- 28000 Lumens
- 33600 Lumens

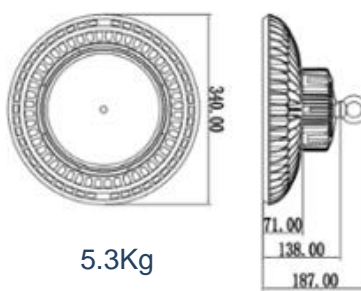


FITTING DIMENSION & WEIGHT

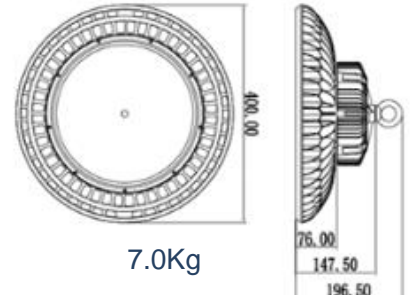
80W/100W



120W/150W



180/200/240W



Remarks:

Detail and specification are current at the time of publication but may be changed without prior notice