


Applications


Typical applications include:


- ✓ Oil and gas industries
- ✓ Chemical, petrochemical
- ✓ Pharmaceutical Industries
- ✓ Packaging and Paper Industries.
- ✓ Waste and sewage treatment
- ✓ Power Generation Plant

European (ATEX)

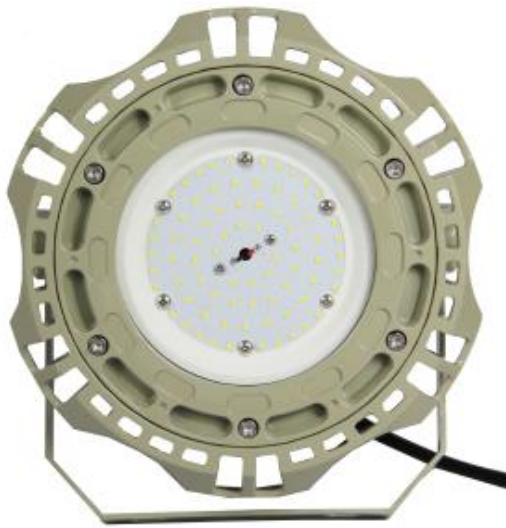
Gas and Dust 



CE 1282  II 2G Ex d IICT6

CE 1282  II 2D Ex td T85°C

Zone 1, 2 & Zone 21, 22



Features:

- Zone 1&2, Zone 21&22
- Instant on crisp white light output
- High bay reflector with anti-glare performance
- High efficiency drivers and LEDs provide, low cost operation in harsh and heavy industrial applications
- Isolated LED compartment reduces temperature within driver housing
- Modules can be interlinked to increase the output

Standard Materials

- ❖ Housing: Die-casting aluminum
- ❖ Exterior: Stainless steel
- ❖ Globe: Tempered glass
- ❖ Gasket: Silicon rubber

Certifications

- ❖ ATEX
- ❖ CNEX
- ❖ CE
- ❖ RoHS
- ❖ ISO9001

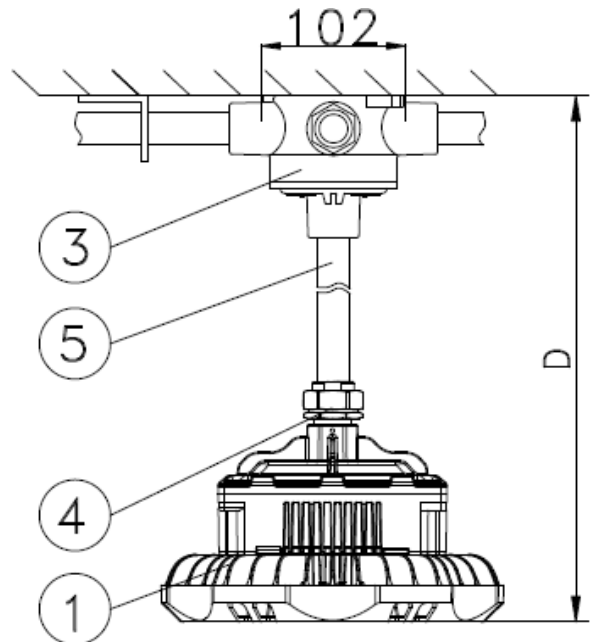
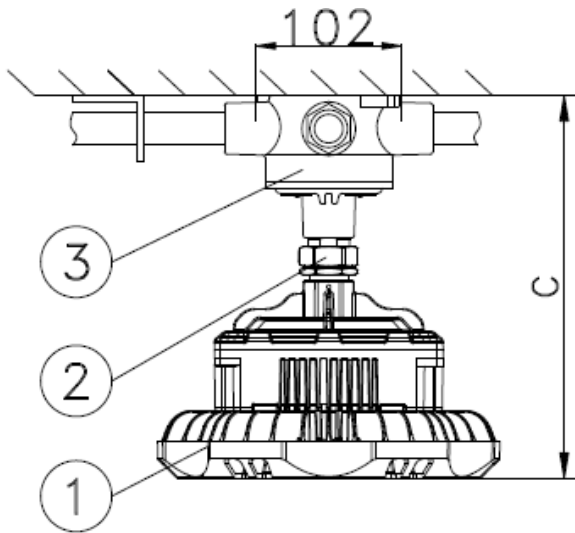
Remarks:

Detail and specification are current at the time of publication but may be changed without prior notice

Specification

Model	EGE-GYD810-50W	EGE-GYD810-100W	EGE-GYD810-150W	EGE-GYD810-200W
Input Voltage	AC90~295V			
Frequency	50/60 Hz			
Operating Current	0.21A	0.43A	0.65A	0.88A
Power Factor	>0.95			
Power Rating	50W	100W	150W	200W
Working Temp	-30°C ~+55°C			
CRI	Ra ≥ 70			
Luminous Flux	6,500 LM	13,000 LM	19,500 LM	26,000 LM
Lamp Luminous	130±5 % LM/W			
Color Temp	3000K, 4000K, 5000K, 6000K.			
LED Source	Cree			
LED Driver	Mean Well			
IP Rating	IP 66			
Beam Angle	90° 120°			
Lifespan	≥ 50000 Hours			
Certification	ATEX, CNEC, CE, RoHS.			
Material	Aluminum Alloy / Temper Glass			
Dimension	∅ 270*170	∅ 320*170	∅ 360*170	∅ 400*170
Weight	4.8KG	6.4KG	7.2KG	8.3KG
Warranty	5 Years			

Dimension & Installation Method



Remarks:

Detail and specification are current at the time of publication but may be changed without prior notice