



# EX-PROOF LED EMERGENCY LIGHT


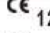
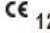


European (ATEX)   
 Gas and Dust  **ATEX**  
**CE 1282**  II 2G Ex d IIC T6  
**CE 1282**  II 2D Ex td T85°C  
 Zone 1, 2 & Zone 21, 22

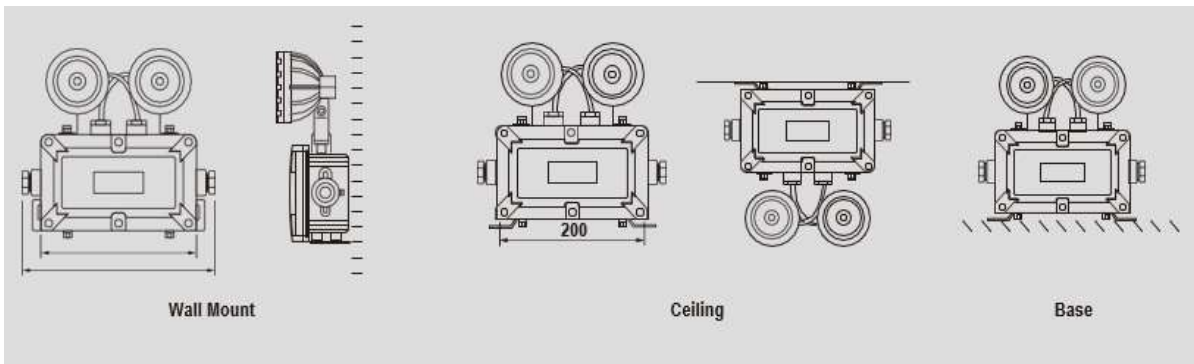
## ■ Features:

- Zone 1&2, Zone 21&22
- Built-in maintenance-free battery pack, the battery will be charged automatically when power is supply. And it will be in emergency light when the power fails.
- The lamp head can be rotated around 270° from top to bottom, with wide lighting range.
- Easy to install
- LED indicator of main, charge, fault to easy to know the status of the light.
- Self-inspections annual month. And test button for testing any time for user.
- Equipped with an explosion-proof buzzer with a 65dB-85dB voice. When the product is in fault status, the buzzer will work 1-3s every minute to remind the user to maintain the product.

## Technical Specification:

Type	EGE-EML03-BCJ
European (ATEX) 	<b>CE 1282</b>  II 2G Ex d IIC Gb
Gas and Dust	<b>CE 1282</b>  II 2D Ex tb Db
IP Degree	IP65
Input voltage	220VAC, 50-60Hz
Power consumption [W]	2*3
Back-up Battery	>120min
Entries	G 3/4" (suitable for Φ10mm-Φ14mm cable); NPT3/4" is optional
Size [mm]	243*570*55
Weight [kg]	2.6
Mounting Styles	Ceiling; Wall; Base Mount

## Installation Guide:



Remarks: Detail and specification are current at the time of publication but may be changed without prior notice