



# EX-PROOF LED EXIT LIGHT



European (ATEX)  
Gas and Dust



CE 1282 Ex II 2G Ex d IICT6

CE 1282 Ex II 2D Ex td T85°C

Zone 1, 2 & Zone 21, 22

## Applications

- Explosive hazardous atmosphere Zone 1, 2 & Zone 21,22
- Widely used for safety exit indication and marking on various marine platforms, chemical tankers, LNG ships and dangerous cargo wharfs etc..
- Can reliably work in severe environment where is easily affected by moisture, vibration, or corrosion.

## Features

- Die-cast aluminum body with baked epoxy powder coat finish for durability and corrosion resistance
- Toughened glass transparent cover with high light transmittance
- Ultra-bright LED light source, service life is up to 50,000 hours
- Designed with test buttons, convenient for regularly maintenance
- The light fitting is designed with a main power indicator, failure and charging indicator, to the using status
- Designed with test button

## Standard Materials

- Housing: Die-casting aluminum
- Exterior: Stainless steel
- Globe: Tempered glass
- Gasket: Silicon rubber

## Certifications

ATEX  
CNEX  
CE  
RoHS  
ISO9001

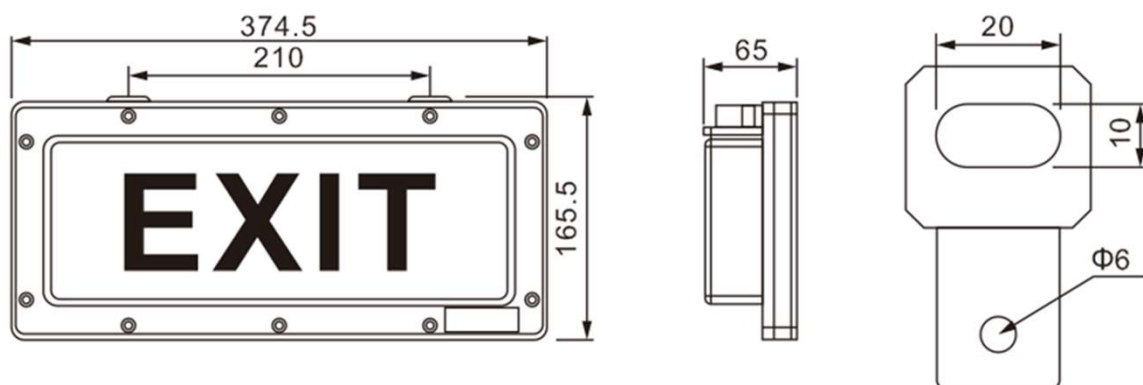
### Remarks:

Detail and specification are current at the time of publication but may be changed without prior notice

## Technical Specification

Model:	EGE-EXL03-BYY
Ex Marking	Ex d IIC T6
Classification	Zone 1, 2 & Zone 21, 22
IP Degree	IP65
Input Voltage	AC220V
Power	3W
Entries	G 3/4" Conduit Entry, Suitable for $\Phi$ 10mm- $\Phi$ 14mm cable
Back-up Battery	>120min
Net Weight	3.25kg

## Fitting Dimension (MM)



1-Type A



2-Type B



3-Type C



4-Type D



5-Type E



6-Type I



7-Type J



8-Type K



9-Type L

### Remarks:

Detail and specification are current at the time of publication but may be changed without prior notice

