



Authorized Distributor :
EGE TECHNOLOGY SDN BHD (201201031202)
www.egetech.com.my



SPECIFICATION FOR APPROVAL

CUSTOMER _____
MODEL NO. **BYE SERIES** _____
PART NO. _____
APPLICATION _____
ISSUE DATE _____
REV. NO. _____
REV.DATE _____



EGE TECHNOLOGY SDN BHD (201201031202)

Tel: +604-55231 88

Fax: +604-5399568

Email: sales@egetech.com.my

Web: www.egetech.com.my

NO: 10, Lorong Industri Impian 1, Taman Industri Impian, 14000 Bukit Mertajam, Penang, Malaysia





Applications

- Explosive hazardous atmosphere Zone 1, 2 & Zone 21,22
- Widely used for safety exit indication and marking on various marine platforms, chemical tankers, LNG ships and dangerous cargo wharfs ect.
- Can reliably work in severe environment where is easily affected by moisture, vibration, or corrosion.

Features

- Die-cast aluminum body with baked epoxy powder coat finish for durability and corrosion resistance
- Toughened glass transparent cover with high light transmittance
- Ultra-bright LED light source, service life is up to 50,000 hours
- Designed with test buttons, convenient for regularly maintenance
- The light fitting is designed with a main power indicator, failure and charging indicator, to the using status
- Designed with test button

Standard Materials

- Housing: Die-casting aluminum
- Exterior: Stainless steel
- Globe: Tempered glass
- Gasket: Silicon rubber

Certifications

ATEX
CNEX
CE
RoHS
ISO900
1

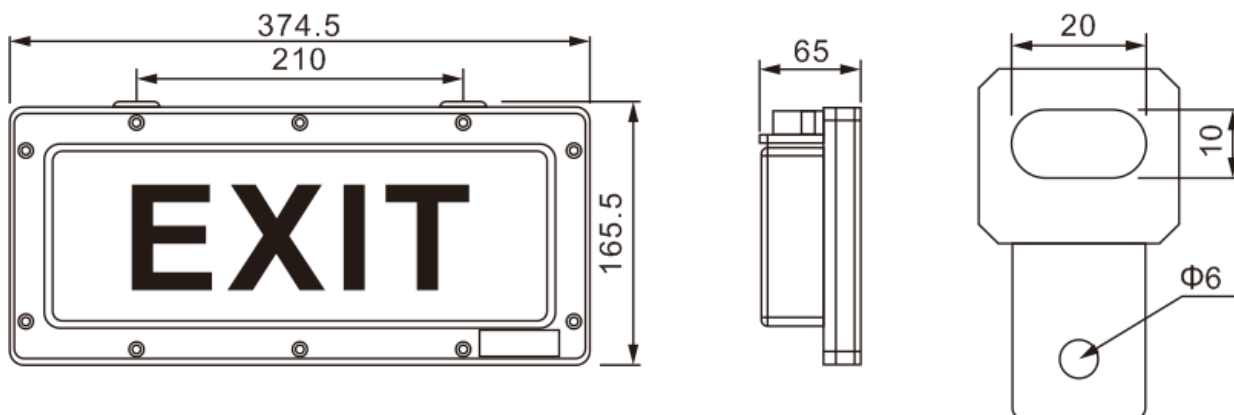


Technical Data

Ex Marking	Exd e IIC T6
Classification	Zone 1, 2 & Zone 21, 22
IP Degree	IP66
Input Voltage	AC220V
Power	3W
Entries	G 3/4" Conduit Entry, Suitable for Φ 10mm- Φ 14mm cable
Back-up Battery	>120min
Net Weight	3.25kg

Dimensions

(In millimeter)



1-Type A



2-Type B



3-Type C



4-Type D



5-Type E



6-Type I



7-Type J



8-Type K



9-Type L



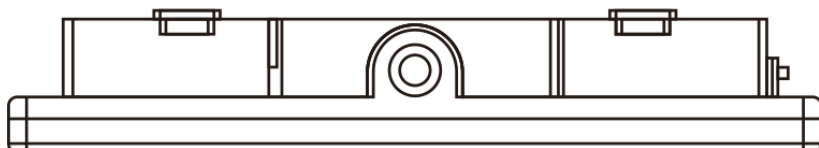
Explosion proof Exit Sign



BYY series

Installation

(In millimeter)



EGE TECHNOLOGY SDN BHD(201201031202)

Tel: +604-55231 88

Fax: +604-5399568

Email: sales@egetech.com.my

Web: www.egetech.com.my

NO: 10, Lorong Industri Impian 1, Taman Industri Impian, 14000 Bukit Mertajam, Penang, Malaysia