



Authorized Distributor :
EGE TECHNOLOGY SDN BHD (201201031202)
www.egetech.com.my



SPECIFICATION FOR APPROVAL

CUSTOMER

MODEL NO.

BCJ SERIES

PART NO.

APPLICATION

ISSUE DATE

REV. NO.

REV.DATE



EGE TECHNOLOGY SDN BHD(201201031202)

Tel: +604-55231 88

Fax: +604-5399568

Email: sales@egetech.com.my

Web: www.egetech.com.my

NO: 10, Lorong Industri Impian 1, Taman Industri Impian, 14000 Bukit Mertajam, Penang, Malaysia





Applications

- Explosive hazardous atmosphere Zone 1, 2 & Zone 21,22
- Widely used for safety exit indication and marking on various marine platforms, chemical tankers, LNG ships and dangerous cargo wharfs ect.
- Can reliably work in severe environment where is easily affected by moisture, vibration, or corrosion.

Standard Materials

- Housing: Die-casting aluminum
- Exterior: Stainless steel
- Globe: Tempered glass
- Gasket: Silicon rubber

Features

- Die-cast aluminum body with baked epoxy powder coat finish for durability and corrosion resistance
- Toughened glass transparent cover with high light transmittance
- Ultra-bright LED light source, service life is up to 50,000 hours
- Designed with test buttons, convenient for regularly maintenance
- The light fitting is designed with a main power indicator, failure and charging indicator, to the using status
- Designed with test button

Certifications

ATEX
CNEX
CE
RoHS
ISO9001




Explosion proof Emergency Light



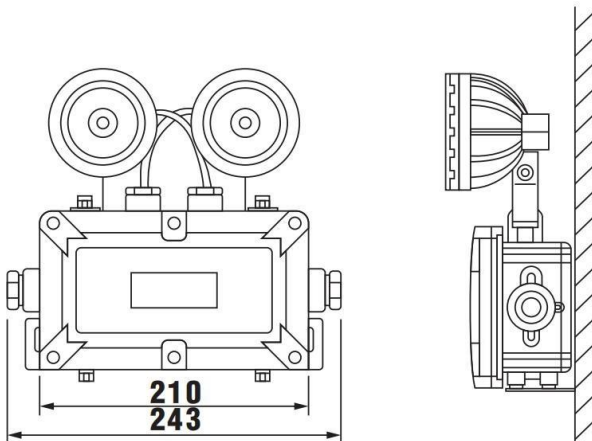
BCJ series

Technical Data

Type	BCJ
European (ATEX) 	CE 1282 (Ex) II 2G Ex d e IIC
Gas and Dust	CE 1282 (Ex) Gb II 2D Ex tb Db
IP Degree	IP66
Input voltage	220VAC, 50-60Hz
Power consumption [W]	2*3W ; 2*5W
Back-up Battery	>120min
Entries	G 3/4" (suitable for Φ10mm-Φ14mm cable); NPT3/4" is optional
Size [mm]	243*570*55
Weight [kg]	2.6
Mounting Styles	Ceiling; Wall; Base Mount

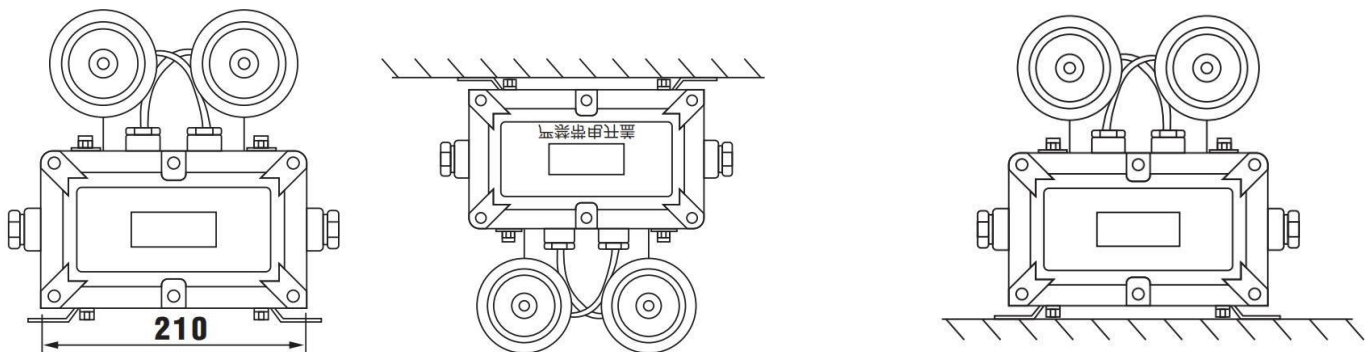
Dimensions

(In millimeter)



Installation

(In millimeter)



Ceiling

Base