



EGE-FL24-ACM

Anti-Corrosion

Asymmetrical Flood Lighting

Why we design Marina?

Feedback: customer installed the common floodlights in the saline environment, a few months later, the bracket and housing all rusted.

Demand: customer asked for floodlight needs to be placed into the indoor swimming pool, light must be resistant against Chlorine.



- SPCC bracket
- Normal surface treatment



Could you advise a flood light with corrosion resistance?

- Most floodlights are fitted with vent, Chlorine air could go inside via this and affects the lifespan of LEDs.

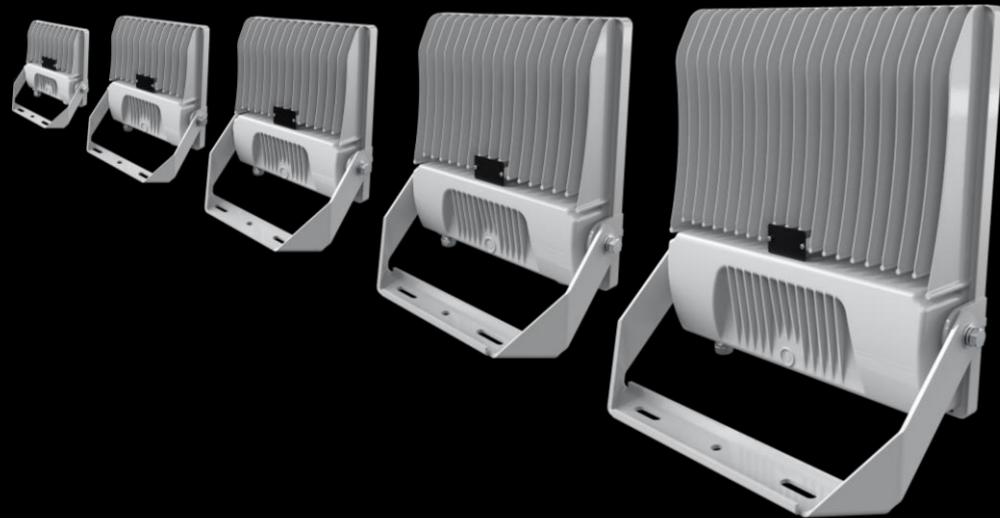


What kind of fixtures are suitable?

Product Outlooks



50W / 100W / 150W / 200W / 300W



Spec.

Power	50W(0.9A) 30W(0.6A)	100W	150W	200W	300W
LED	SMD 3030 chips				
Finish	Grey (C30776S0JP)				
Lumen Efficiency	140(±5%) LM/W				
CCT & CRI	5000K Ra70 standard (3000K,4000K, Ra80 optional)				
Optics	ASY 55*125°, 26x60°, WB 120° , MB 60°, NB 25°				
Input Voltage	220~240VAC				
Protection	IP66, IK08, 10KV SPD				
Application	Chemical Plants, Swimming Pools, Coastal Ship and Boatyards				
Certificate	CE, ROHS, SAA				

Structural Features

Optic system

ONE-SHEET lens easy to be exchanged, and it covered by tempered glass avoids getting yellowing.

Mechanical housing

Pressure die-cast ALU by electrophoresis + special powder coating.



Metallic parts

Screws all made by anticorrosive material, surface treated by GEOMET or Dacromet technology, Chrome-free.

Mounting bracket

Top-quality anticorrosive material with special powder coating.

Salt Spray Verification



72 hrs

Cheap version



500 hrs

Normal version



1,000 hrs

Luminaire and bracket endure salt spray testing for 1,000hrs+

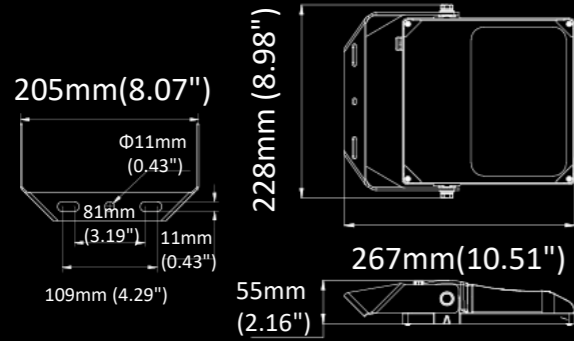
Marina



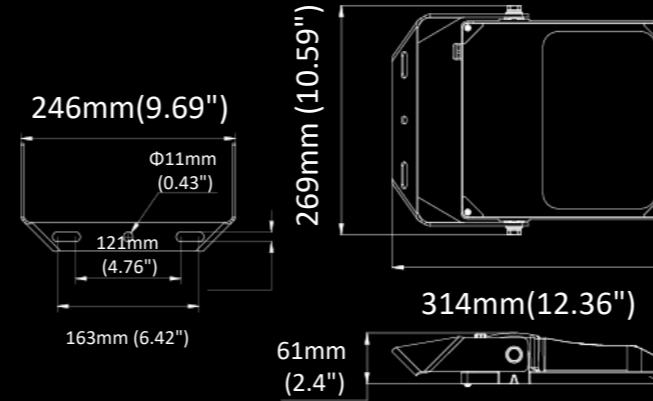
3,000 hrs
Test and Finish

Line Drawings

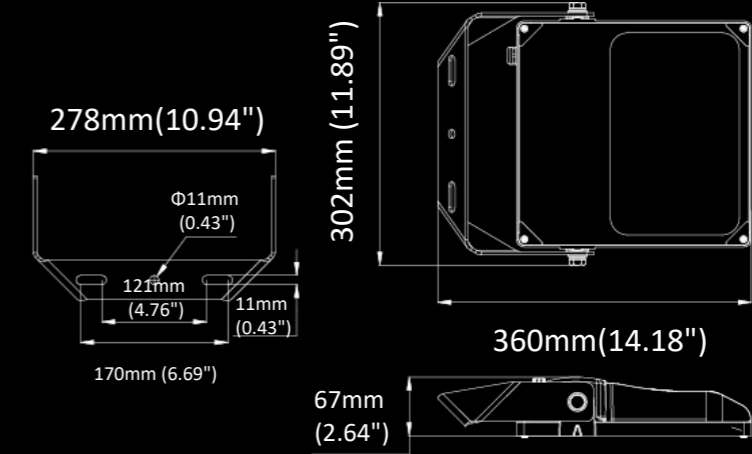
30/50W 2.1KG



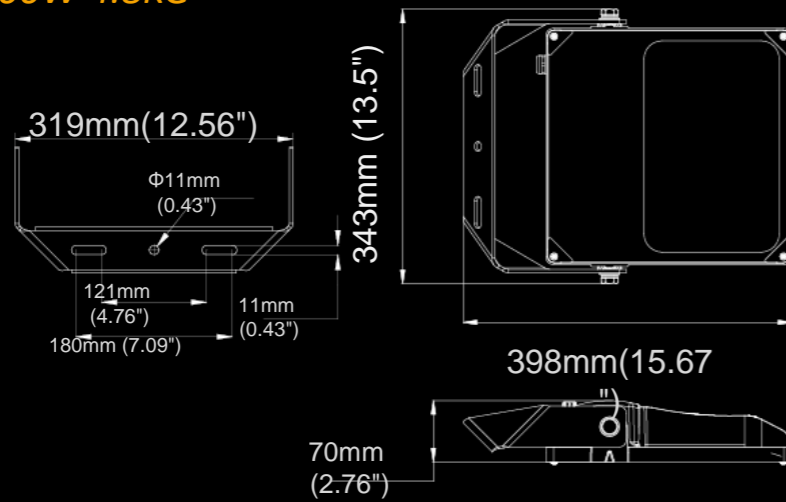
100W 2.8KG



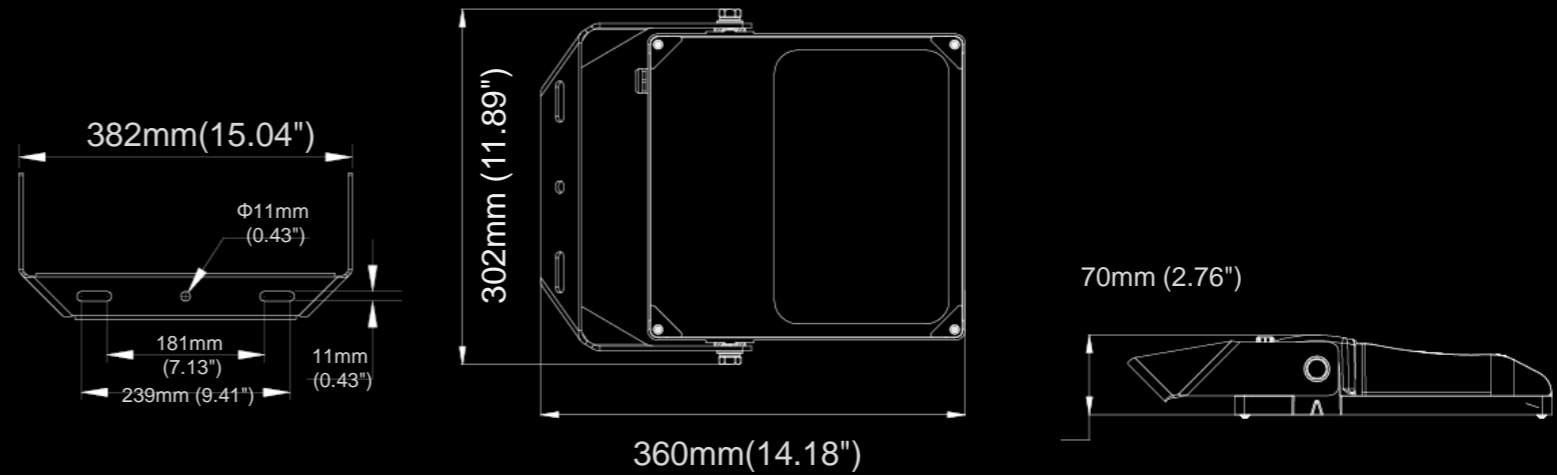
150W 3.8KG



200W 4.8KG



300W 7.4KG



Optics

The professional optic lens is ideal for general area lighting purpose,
powerful and precise.



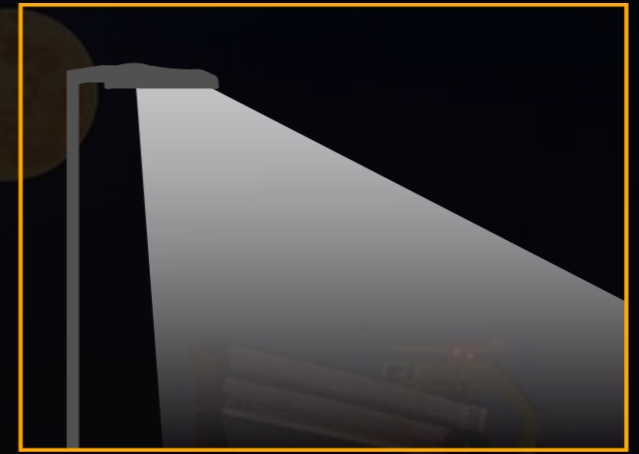
MB 60°



NB 25°



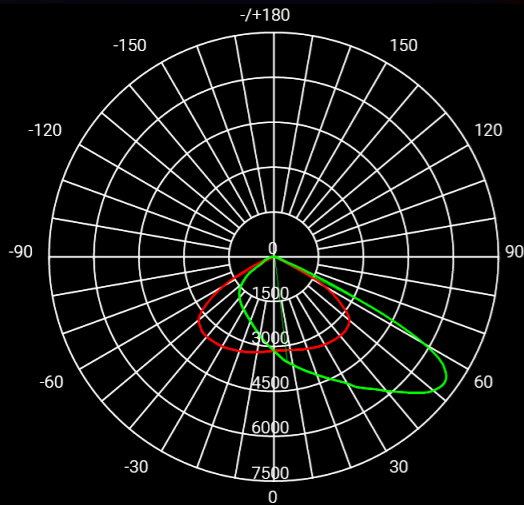
ASY 26x60°



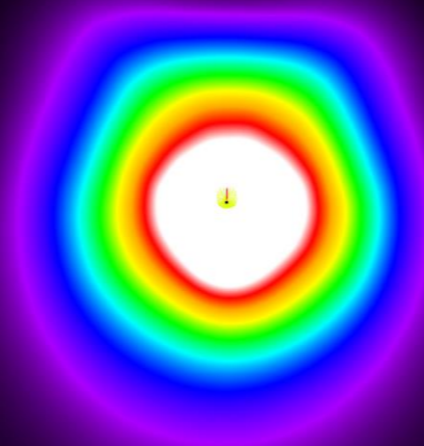
ASY 55x125°

The Most Popular Lens

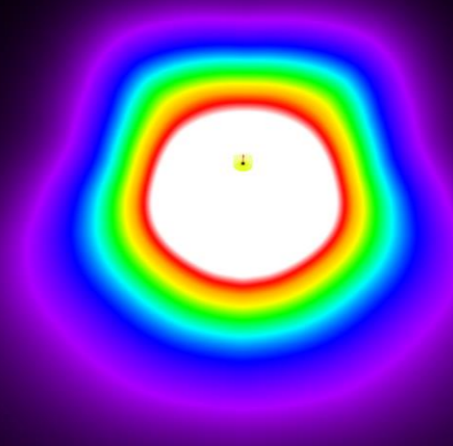
Among all the optic lens, up to **87%** clients ordered the **asymmetrical lens**.



ASY 55*125°



Marina flood light



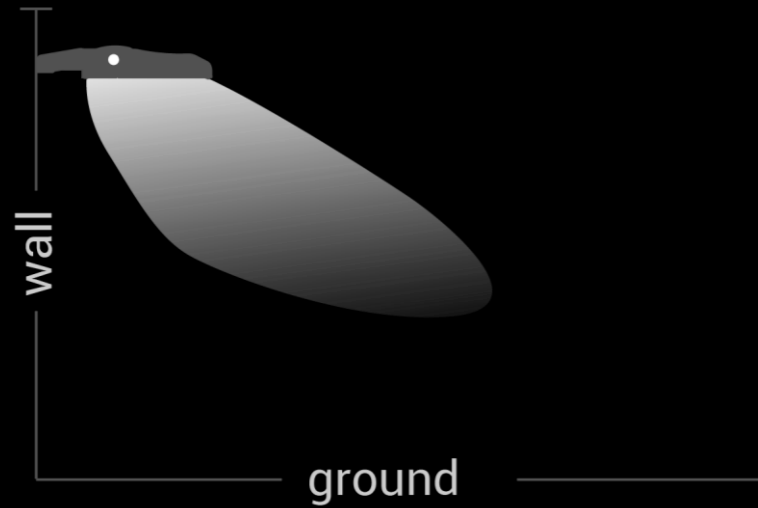
Other common flood light

Marina has specially designed ONE SHEET lens, which can improve lighting utilization and avoid light pollution, moreover, its forward throw light enables to reduce the glare and increases uniformity a lot than the common floodlight from the market.

Outstanding Performance

Marina Flood Light

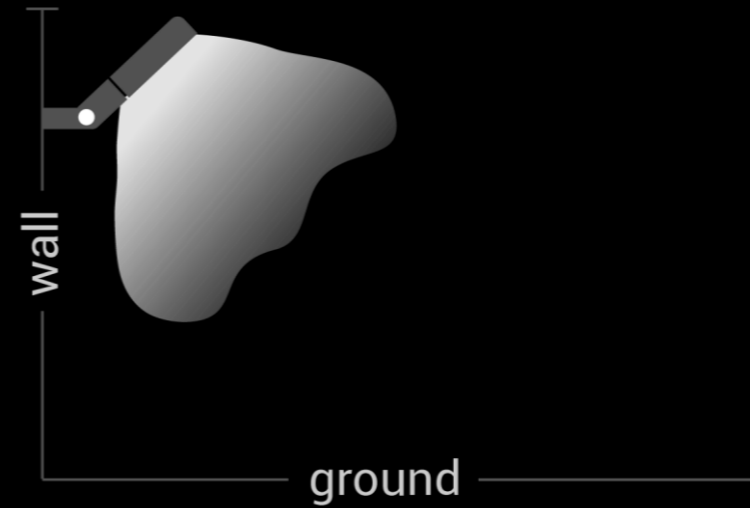
Light to where needed.



30% BETTER
LIGHT UNIFORMITY

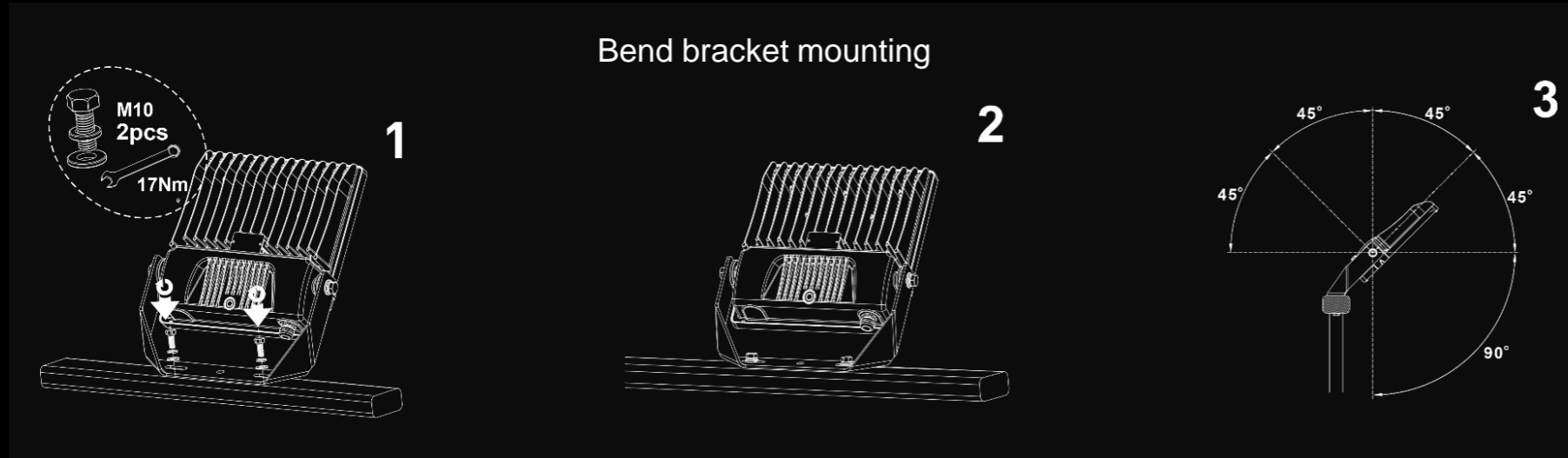
Other Common Flood Light

3X more glare.



up to **10% MORE**
LIGHT POLLUTION

Installation Diagram



Accessories



PC Lens
Replaceable



For swimming pool application, Vent
will be replaced by this seal gland



Applications

Aggressive area lighting applications

- Boat
- Transportation
- Ports
- Docking area



Special sports lighting applications

- Swimming pools (luminaire no pressure vent)
- General sports field close to the coastline
- Parking lots
- Industrial area

