



**Authorized Distributor :**  
**EGE TECHNOLOGY SDN BHD** (201201031202)  
**www.egetech.com.my**



## SPECIFICATION FOR APPROVAL

CUSTOMER	_____
MODEL NO.	<b><u>BPY Series</u></b>
PART NO.	_____
APPLICATION	_____
ISSUE DATE	_____
REV. NO.	_____
REV.DATE	_____



**EGE TECHNOLOGY SDN BHD**(201201031202)

Tel: +604-55231 88

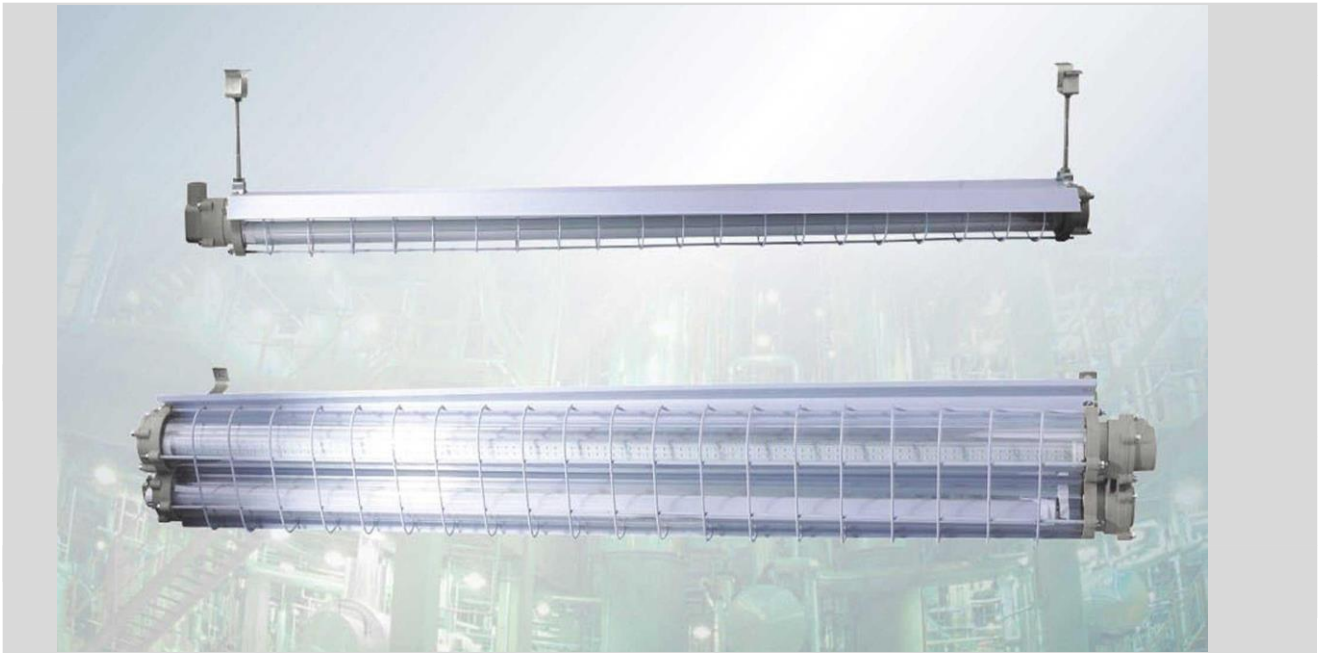
Fax: +604-5399568

Email: sales@egetech.com.my

Web: www.egetech.com.my

NO: 10, Lorong Industri Impian 1, Taman Industri Impian, 14000 Bukit Mertajam, Penang, Malaysia





### **Applications**

- A wide range of hazardous areas where ignitable vapors, dust, moisture and corrosive elements are present
- Areas with high energy costs
- Typical applications include:
  - Oil and gas industries*
  - Chemical, petrochemical*
  - Pharmaceutical industries*
  - Pulp and Paper*
  - Waste and sewage treatment*
  - Power Generation*

### **Features**

- Die casting aluminum shell, with high voltage electrostatic plastic-spray surface.
- Easy to change the tube, just remove the end cover to change.
- Electronic ballast, improve the power factor largely, COS>0.95
- Tempered glass lamp shade, stainless steel exposed fastener.
- Steel pipe wiring or cable wiring.

### **Standard Materials**

Housing: Die-cast aluminum  
Exterior: Stainless steel  
Globe: Tempered glass

### **Certifications**

ATEX  
CNEX  
CE  
RoHS  
ISO9001

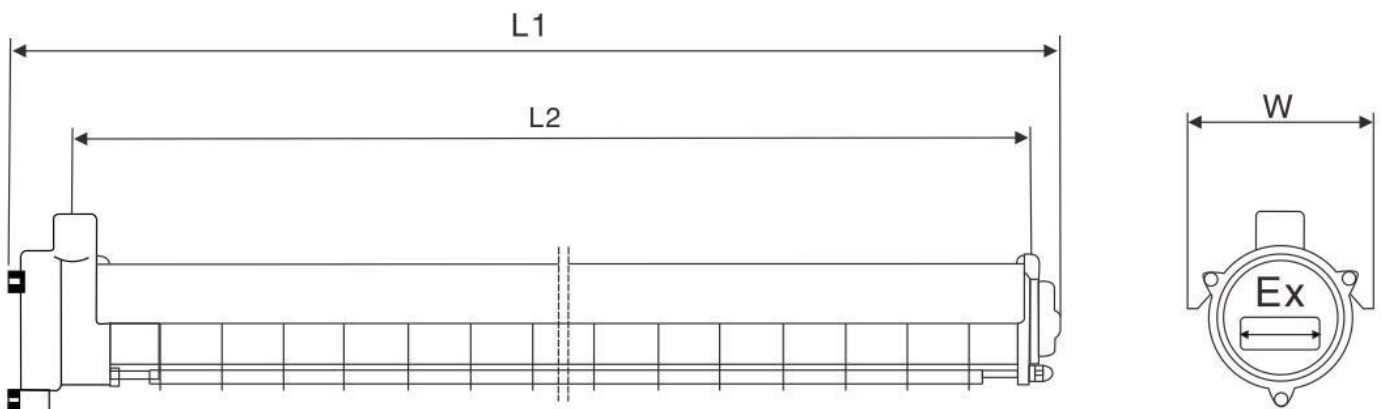
## Specification

Ex Marking	Ex d e IIC T6 Gb
Classification	Group II, Category 2 GD; Class I, Division 1 and 2, Group A,B,C,D
IP Degree	IP66
Corrosion Resistant	WF1
Rated Voltage	220VAC 50/60 Hz
Conduit Entries	G 1/2"
Battery Back-up	Optional, Emergency time>90min;Charging time:24h;Starting time:0.3s
Mounting Styles	Pendant; Ceiling; Chain; Embedded; Wall; Stanchion

## Model information

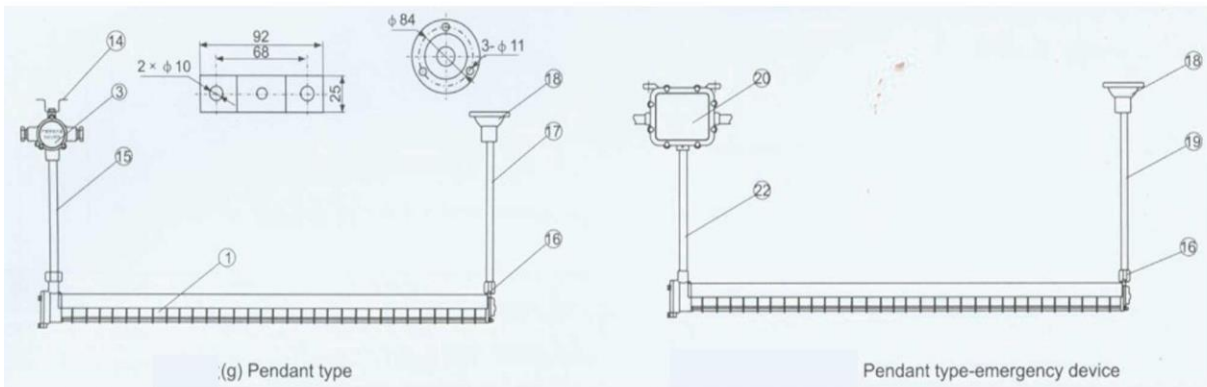
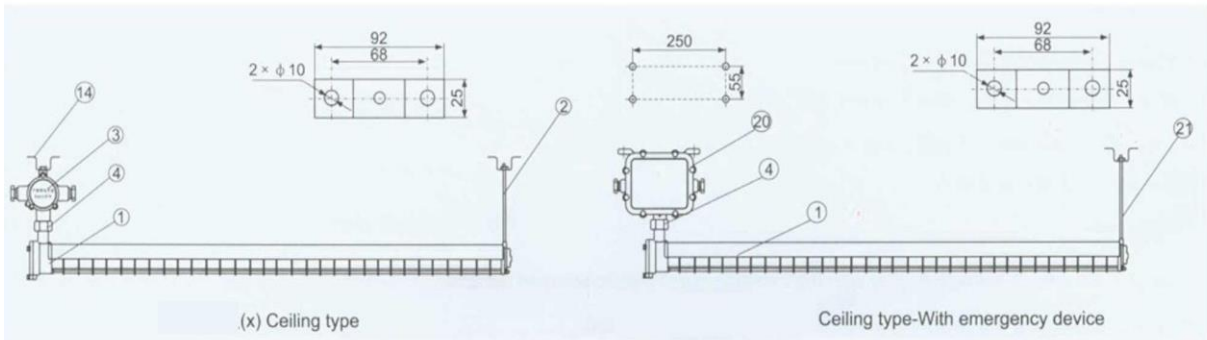
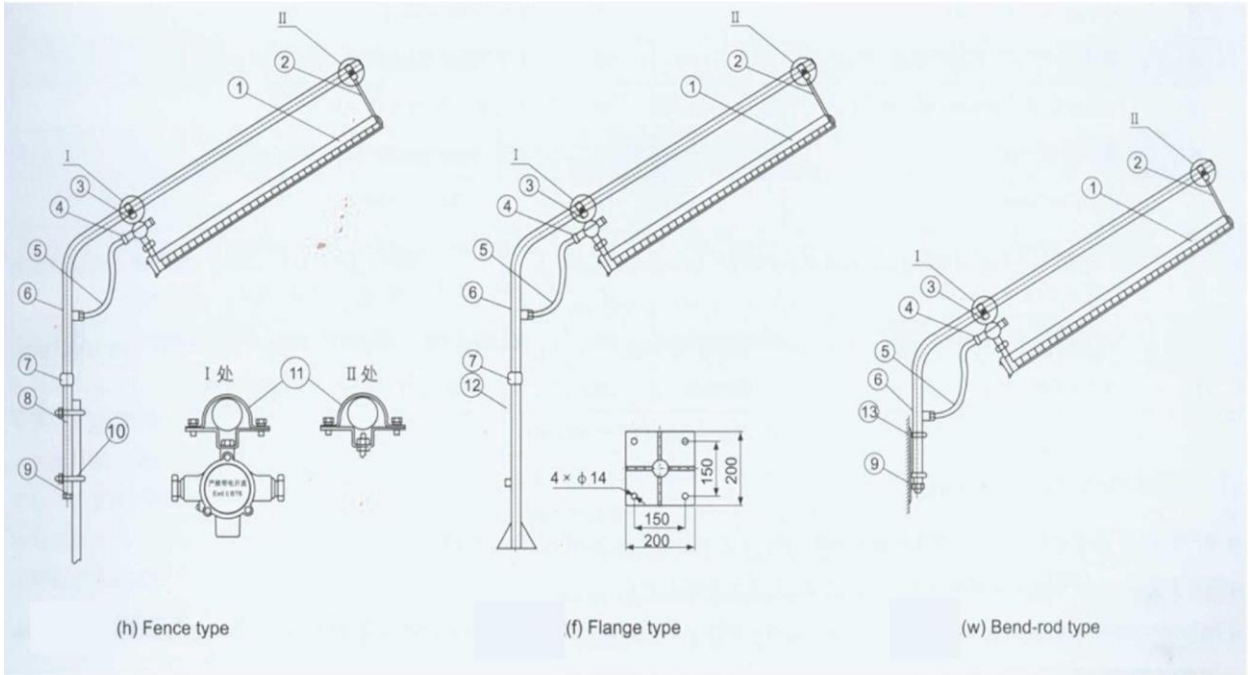
Model	Length	No of Tube
BPY-1200-S	1200mm	Single
BPY-1200-D	1200mm	Double

## Dimension (mm)



TYPE	L1	L2	W
BPY-1200mm	1320	1235	145/210

# Installation



No.	Name	Remark	No.	Name	Remark
1	Lamp		12	Pole	G1 1/2"
2	Twin thread screw	M6/ M8	13	Fasten plate	Provided by user
3	Junction Box		14	Bracket	
4	Pipe connector		15	Steel pipe	
5	Flexible pipe	Provided by user	16	Connection screw	
6	Bent pipe	G1 1/4"	17	Steel pipe	
7	Connector		18	Drawing plate	
8	Pole	G1 1/2"	19	Steel pipe	
9	Connector		20	Emergency illumination	M6 for single type
10	"U"Clamp	Provided by user	21	Twin thread screw	
11	Pipe Clamp	G1 1/4"	22	Steel pipe	