



Authorized Distributor :
EGE TECHNOLOGY SDN BHD (201201031202)
www.egetech.com.my



SPECIFICATION FOR APPROVAL

CUSTOMER	_____
MODEL NO.	<u>BYS Series</u>
PART NO.	_____
APPLICATION	_____
ISSUE DATE	_____
REV. NO.	_____
REV.DATE	_____



EGE TECHNOLOGY SDN BHD (201201031202)
Tel: +604-55231 88 Fax: +604-5399568
Email: sales@egetech.com.my Web: www.egetech.com.my
NO: 10, Lorong Industri Impian 1, Taman Industri Impian, 14000 Bukit Mertajam, Penang, Malaysia



CROWN EXTRA MODEL NO.: BYS



Applications

- A wide range of hazardous areas where ignitable vapors, dust, moisture and corrosive elements are present
- Areas requiring frequent on-and-off of lights or power cycling- no warm up time required
- Areas with high energy costs
- Typical applications include:
 - Oil and gas industries*
 - Chemical, petrochemical*
 - Pharmaceutical industries*
 - Pulp and Paper*
 - Waste and sewage treatment*
 - Power Generation*

Standard Materials

Housing: Fiber-glass reinforced polyester
Exterior: Stainless steel
Diffuser: Polycarbonate, anti-glare
Gasket: Silicon rubber

Features

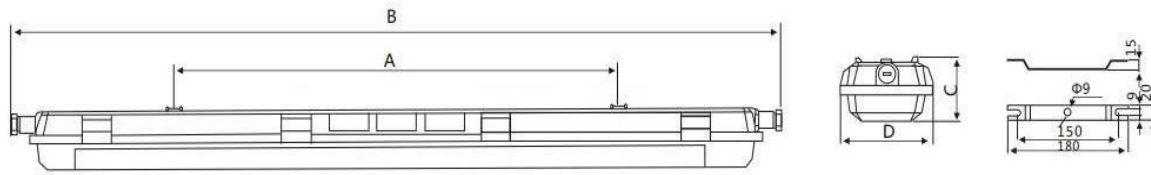
- GRP enclosure, corrosion-proof, Polycarbonate lampshade, strip-shaped with anti-glare
- Special locking mechanism, with reliable locking force
- Built-in explosion proof interlock device, automatically power-off after cover open
- The emergency device can be equipped at the request of users.

Certifications

ATEX
CNEX
CE
RoHS
ISO9001

Dimensions

(In millimeter)



	A	B	C	D
BYS-600	642	798	120	208
BYS-1200	800	1380	120	208

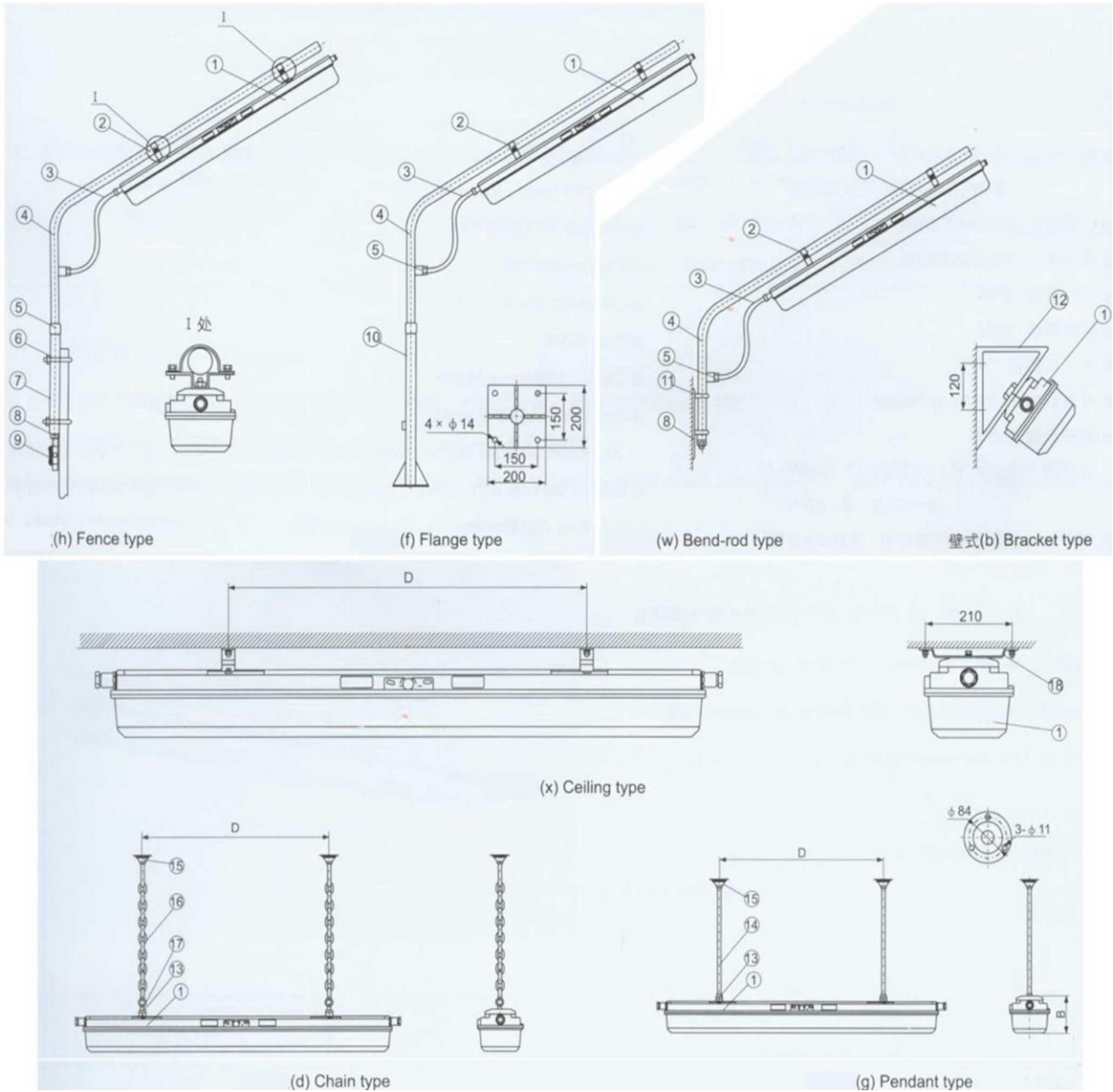
Electrical Data

Ex Marking	Ex d e IIC T6 Gb/ DIP A21 TA
Classification	Group II, Catogory 2 GD; Class I, Division 1 and 2, Group A,B,C,D;
IP Degree	IP66
Corrosion Resistant	WF2
Rated Voltage	110VAC; 220VAC/50~60HZ
Conduit Entries	G 3/4"
Battery Back-up	Optional, Emergency time>90min;Charging time:24h;Starting time:0.3s
Mounting Styles	Pendant; Ceiling; Chain; Embedded; Wall; Stanchion

Ordering Information

Model No.	BYS-600	BYS-1200
T8 Fluorescent tube	(1-3)*18Watt (1350Lm,75Lm/W)	(1-3)*36Watt (2700Lm,75Lm/W)
T5 Fluorescent tube	(1-3)*14Watt(1350Lm,96Lm/W)	(1-3)*28Watt (2100Lm,75Lm/W)
LED tube	(1-3)*8Watt (800Lm,100Lm/W)	(1-3)*18Watt (1800Lm,100Lm/W)

Installation



Optional

Emergency battery built in

90 minutes
or
180 minutes

